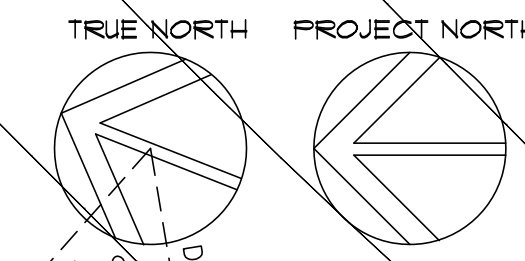


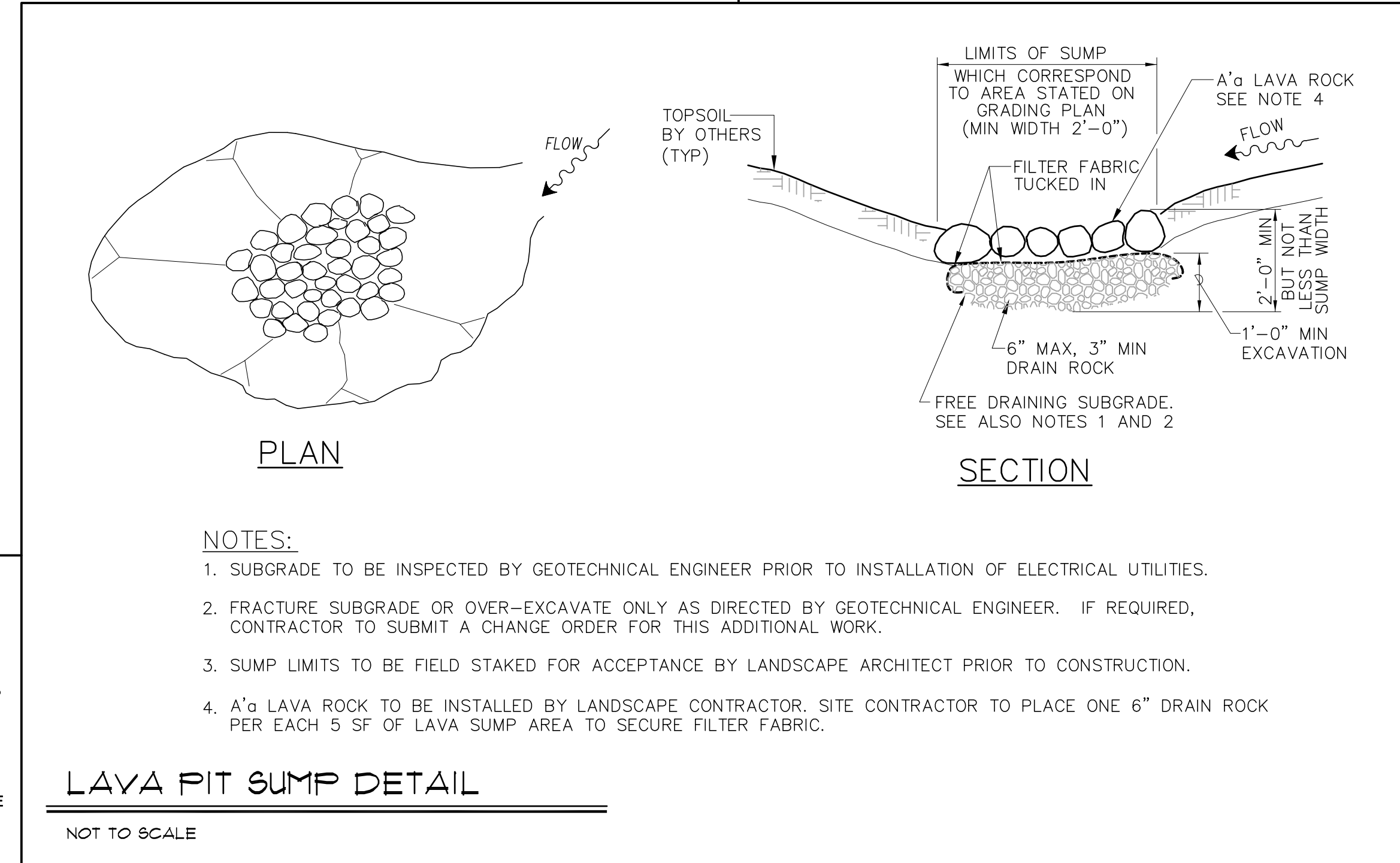
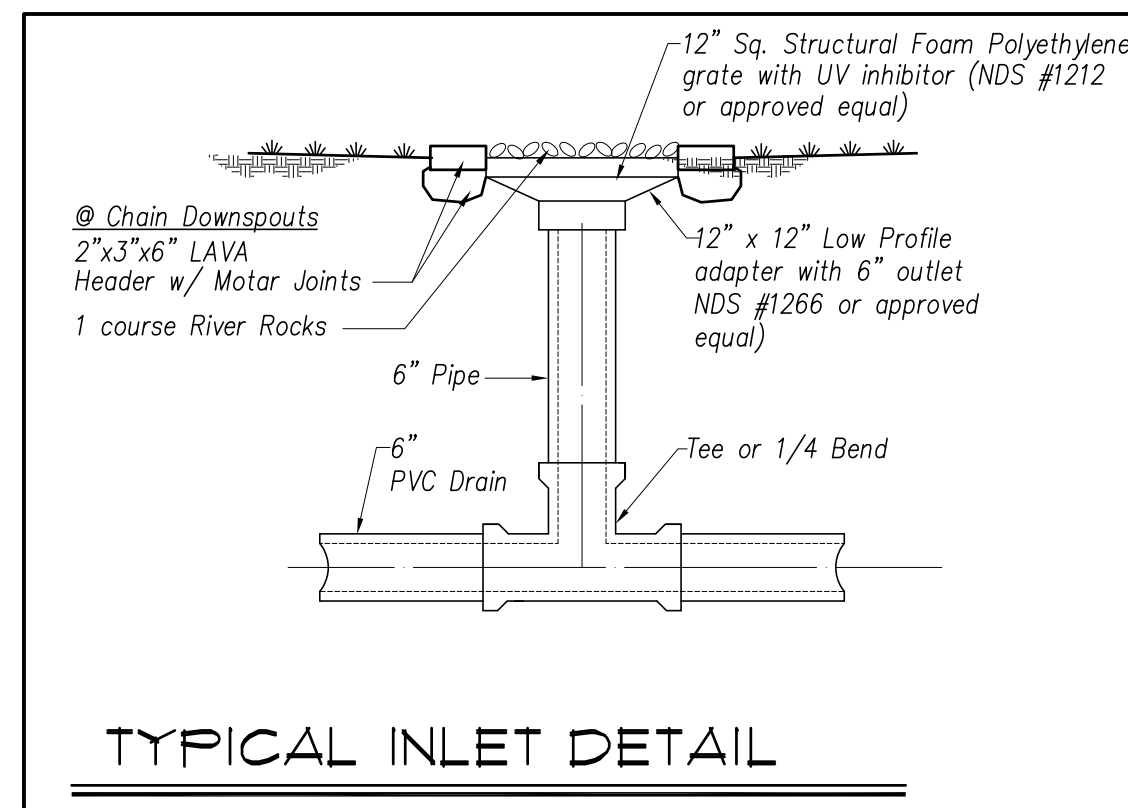
SITE/GRADING PLAN FOR LOT 1

SCALE: 1" = 10'-0"



LEGEND

FG	FINISHED GRADE	AD	AREA DRAIN (12" SQ. STRUCTURAL FOAM POLYETHYLENE GRATE w/ UV INHIBITOR (NDS #1212 OR APPROVED EQUAL) w/ 6" PROFILE ADAPTOR w/ 6" OUTLET (NDS #266 OR APPROVED EQUAL) CONNECTING 6" PVC (TYP.) OR 8" PVC (WHERE INDICATED) @ 1/4" FT SLOPE
TC	TOP OF POOL/SPA COPING		
TP	TOP OF PAVER		
TW	TOP OF WALL ELEVATION		
TF	TOP OF FENCE / GATE		
WL	WATER LEVEL		
- - -	SUALE DIRECTION		
---	EXISTING CONTOUR LINES		
- - -	NEW CONTOUR LINES		



- NOTES:**
- SUBGRADE TO BE INSPECTED BY GEOTECHNICAL ENGINEER PRIOR TO INSTALLATION OF ELECTRICAL UTILITIES.
 - FRACTURE SUBGRADE OR OVER-EXCAVATE ONLY AS DIRECTED BY GEOTECHNICAL ENGINEER. IF REQUIRED, CONTRACTOR TO SUBMIT A CHANGE ORDER FOR THIS ADDITIONAL WORK.
 - SUMP LIMITS TO BE FIELD STAKED FOR ACCEPTANCE BY LANDSCAPE ARCHITECT PRIOR TO CONSTRUCTION.
 - A'g LAVA ROCK TO BE INSTALLED BY LANDSCAPE CONTRACTOR. SITE CONTRACTOR TO PLACE ONE 6" DRAIN ROCK PER EACH 5 SF OF LAVA SUMP AREA TO SECURE FILTER FABRIC.

636 Lualaba St.
Honolulu, HI 96819
Tel. 808-842-4929
Web: nanhawaii.com

Nan Inc

Kapalua Mauka Mahana Estates - Lot 1

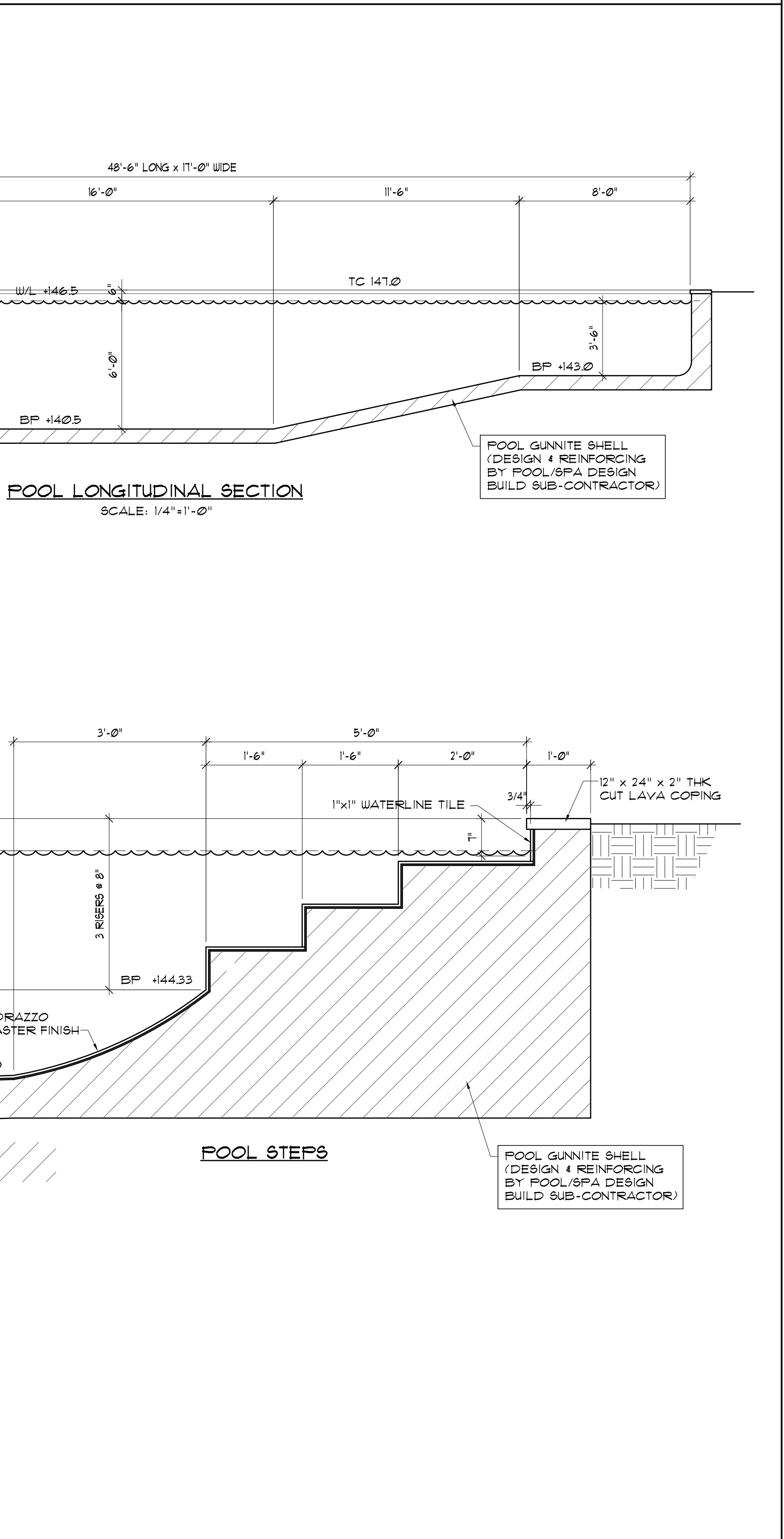
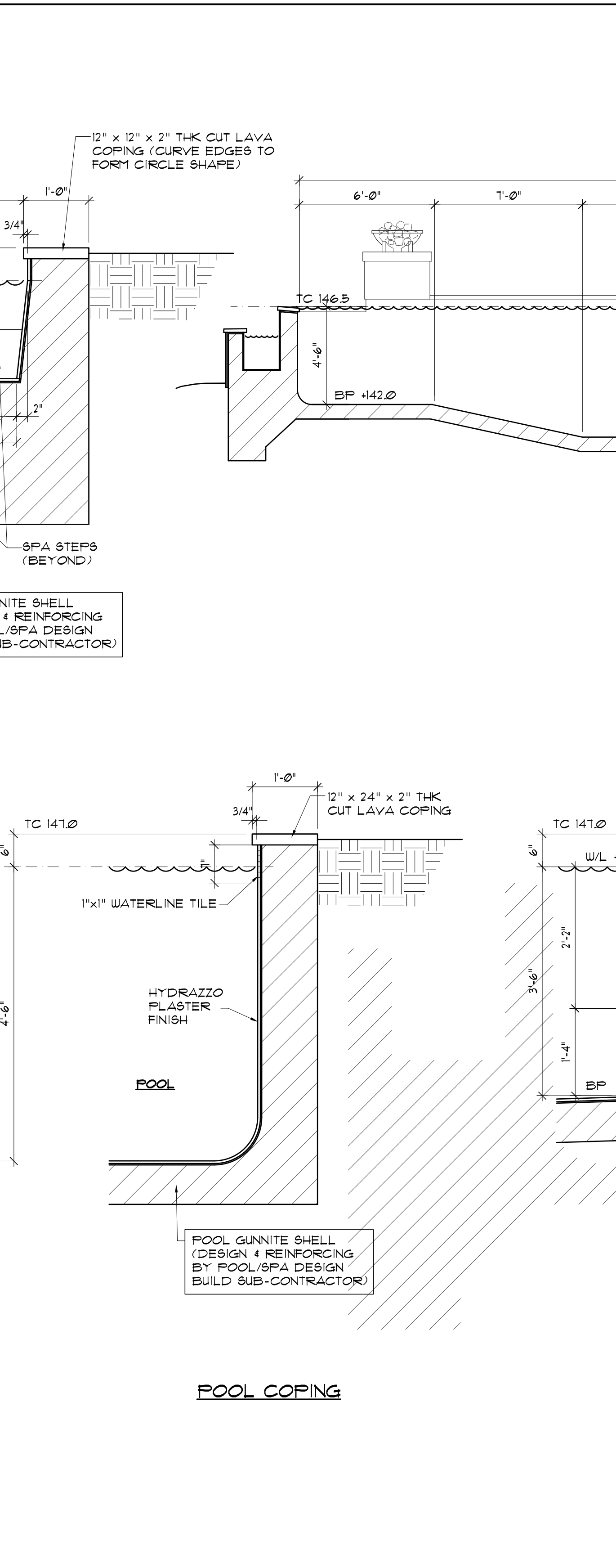
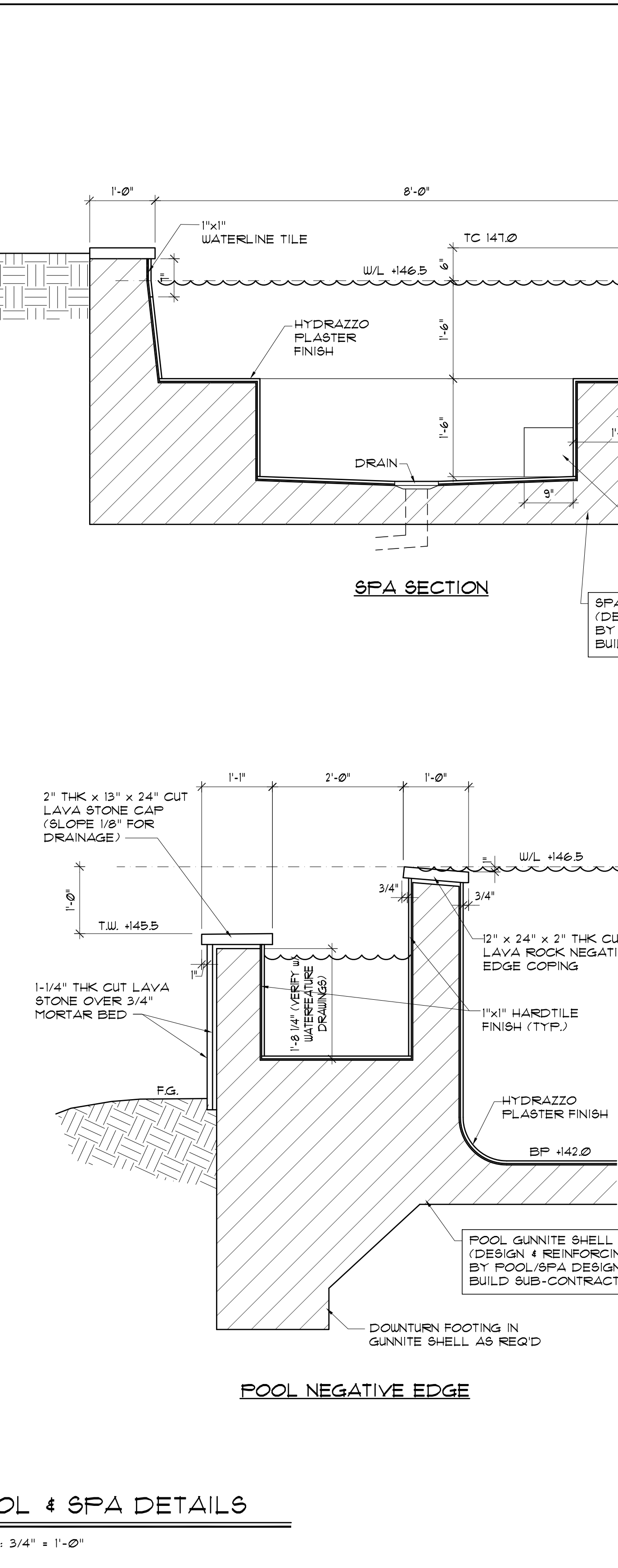
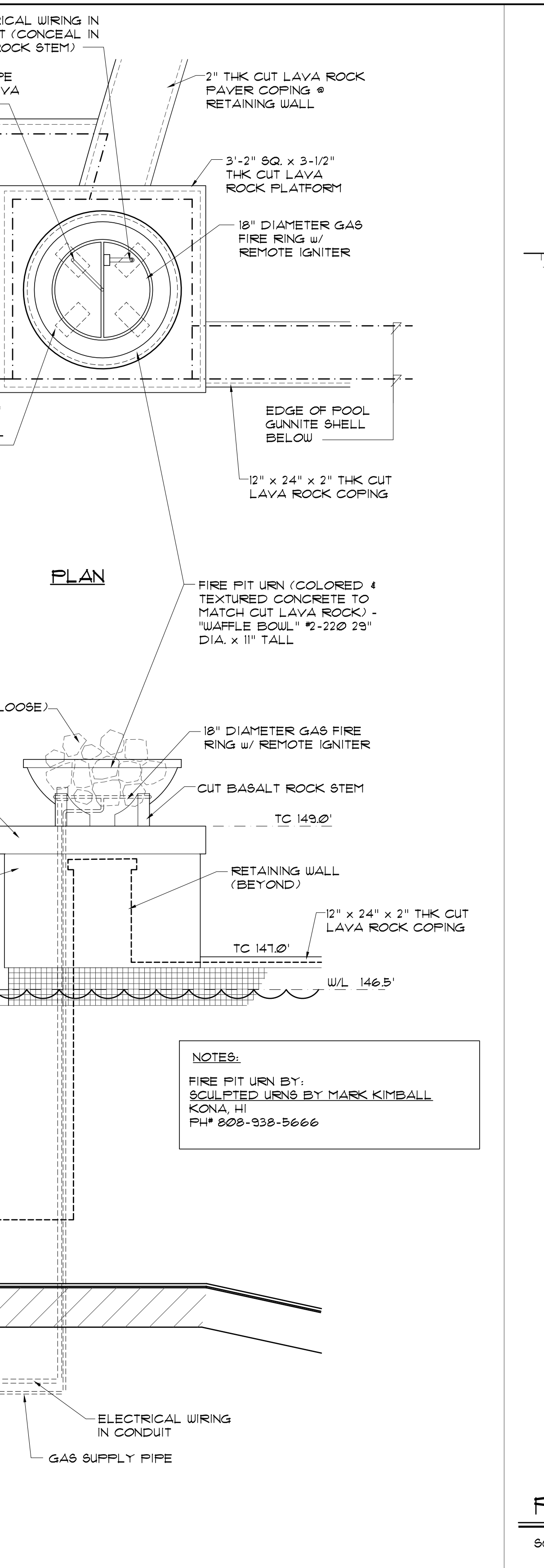
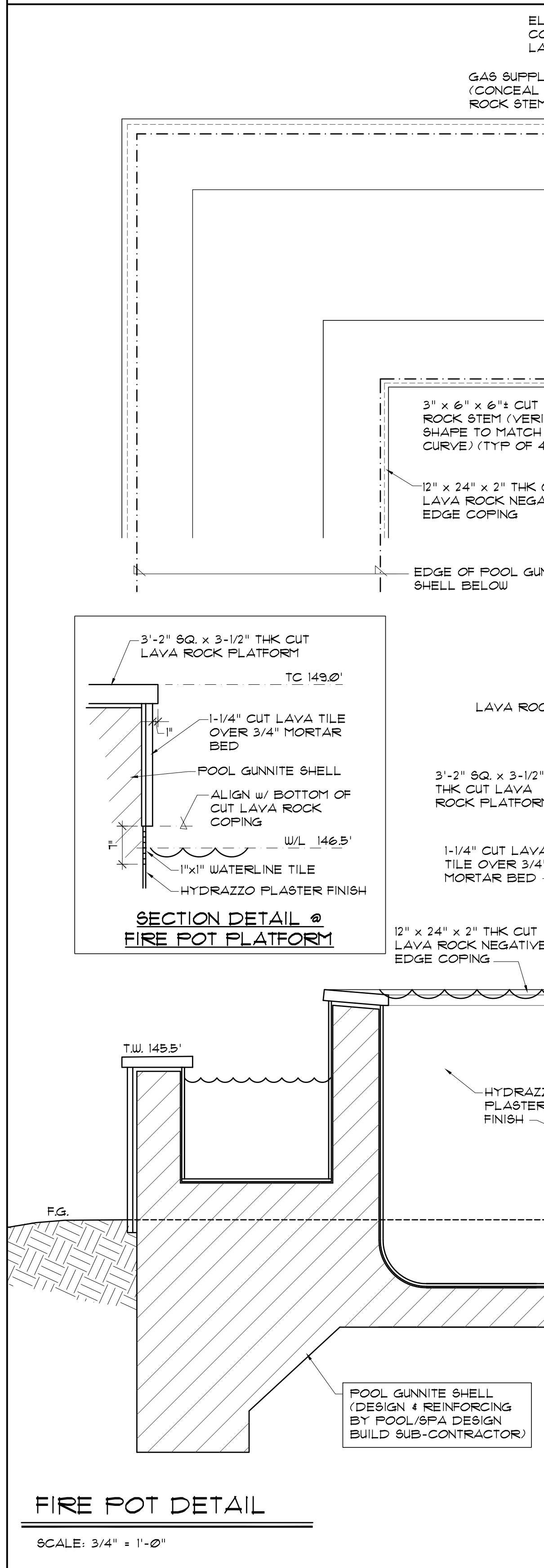
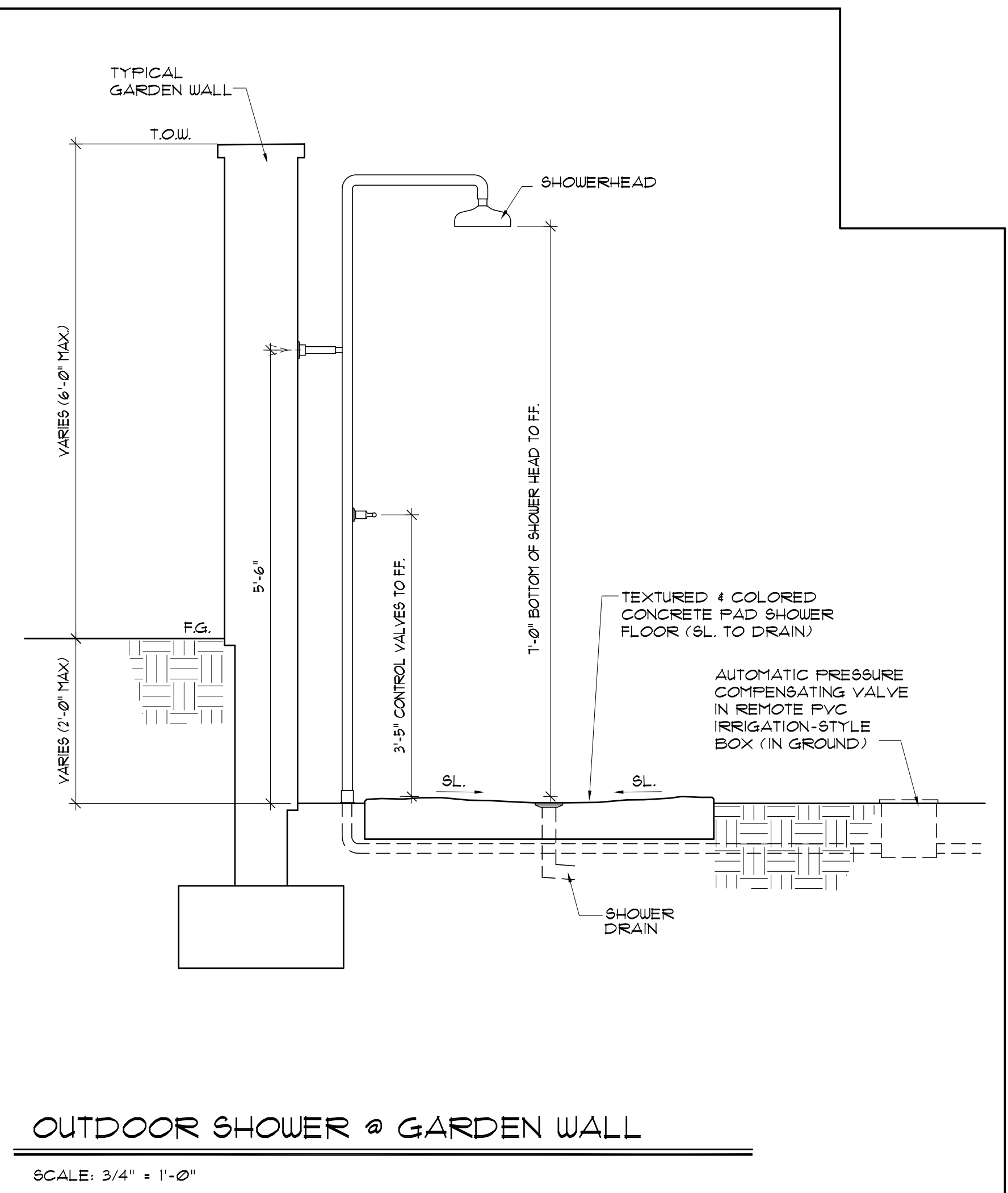
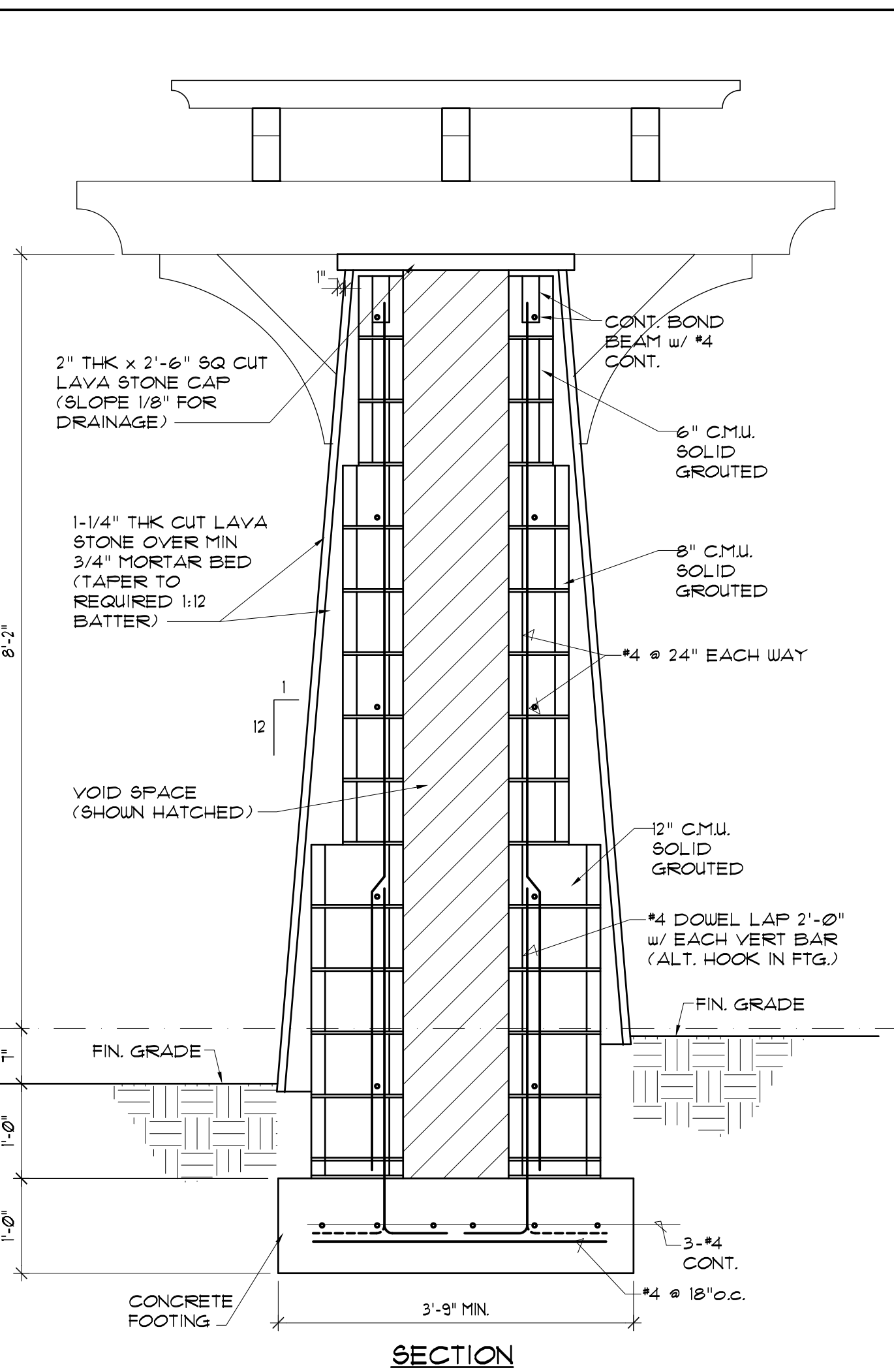
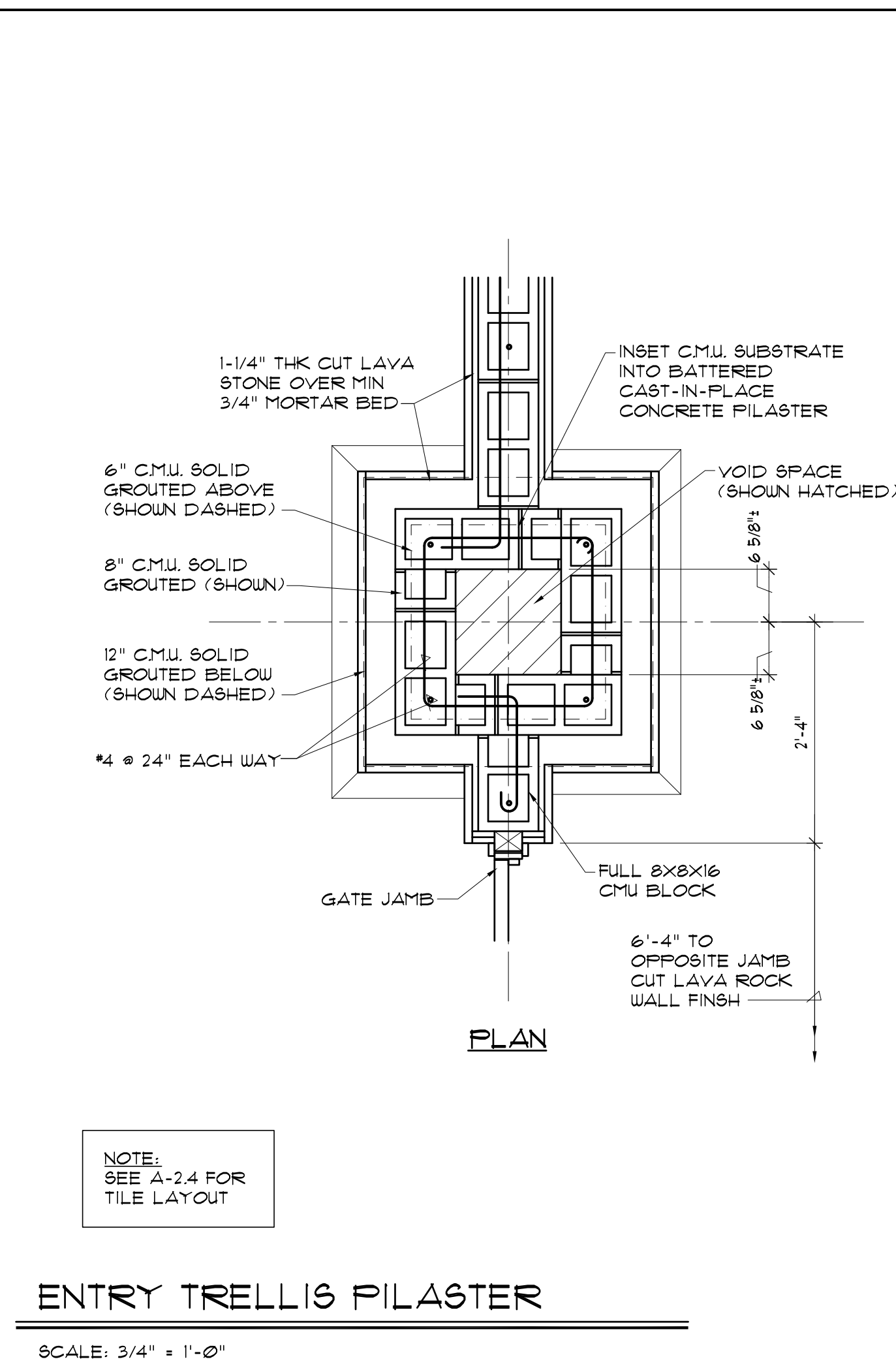
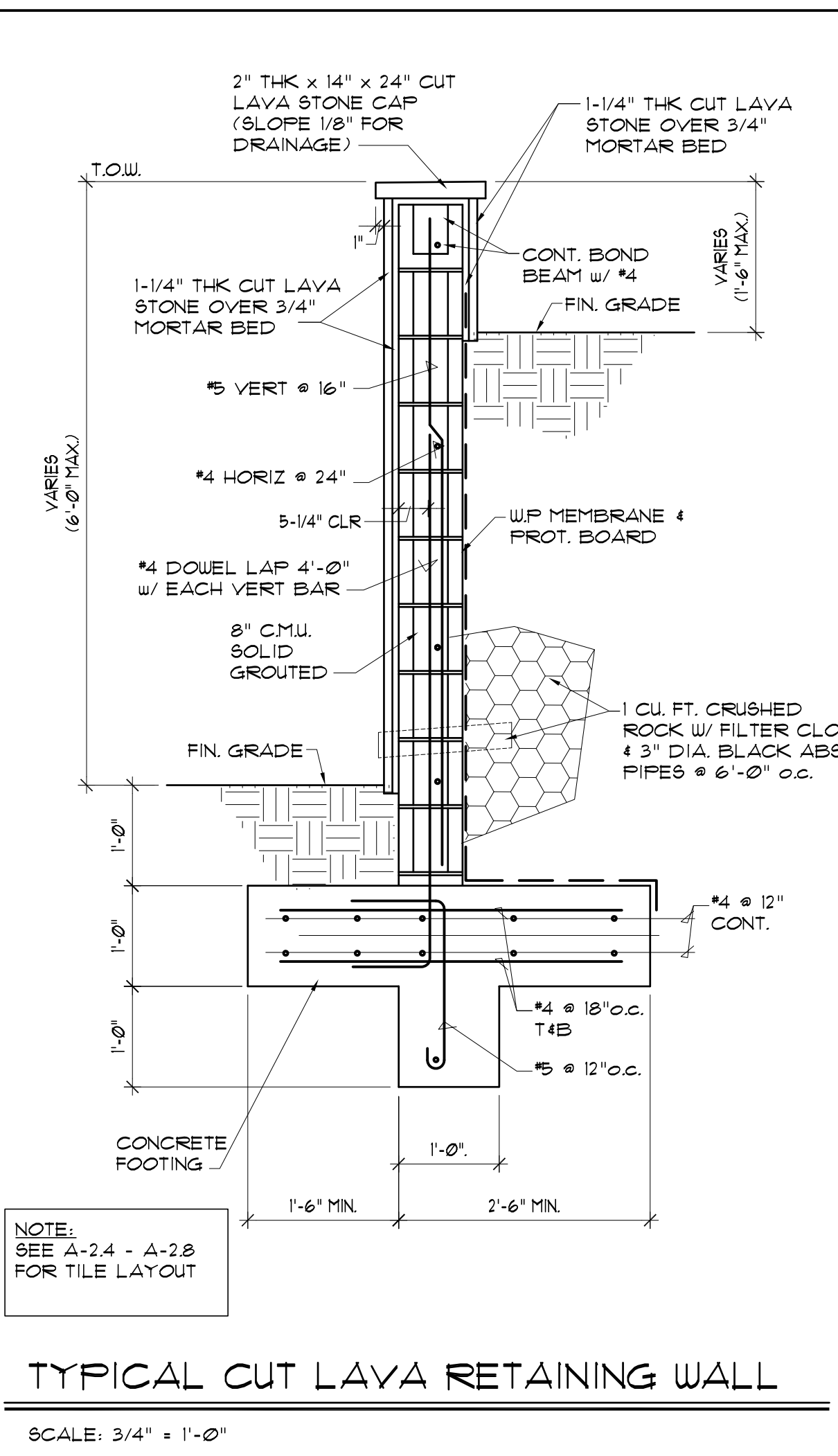
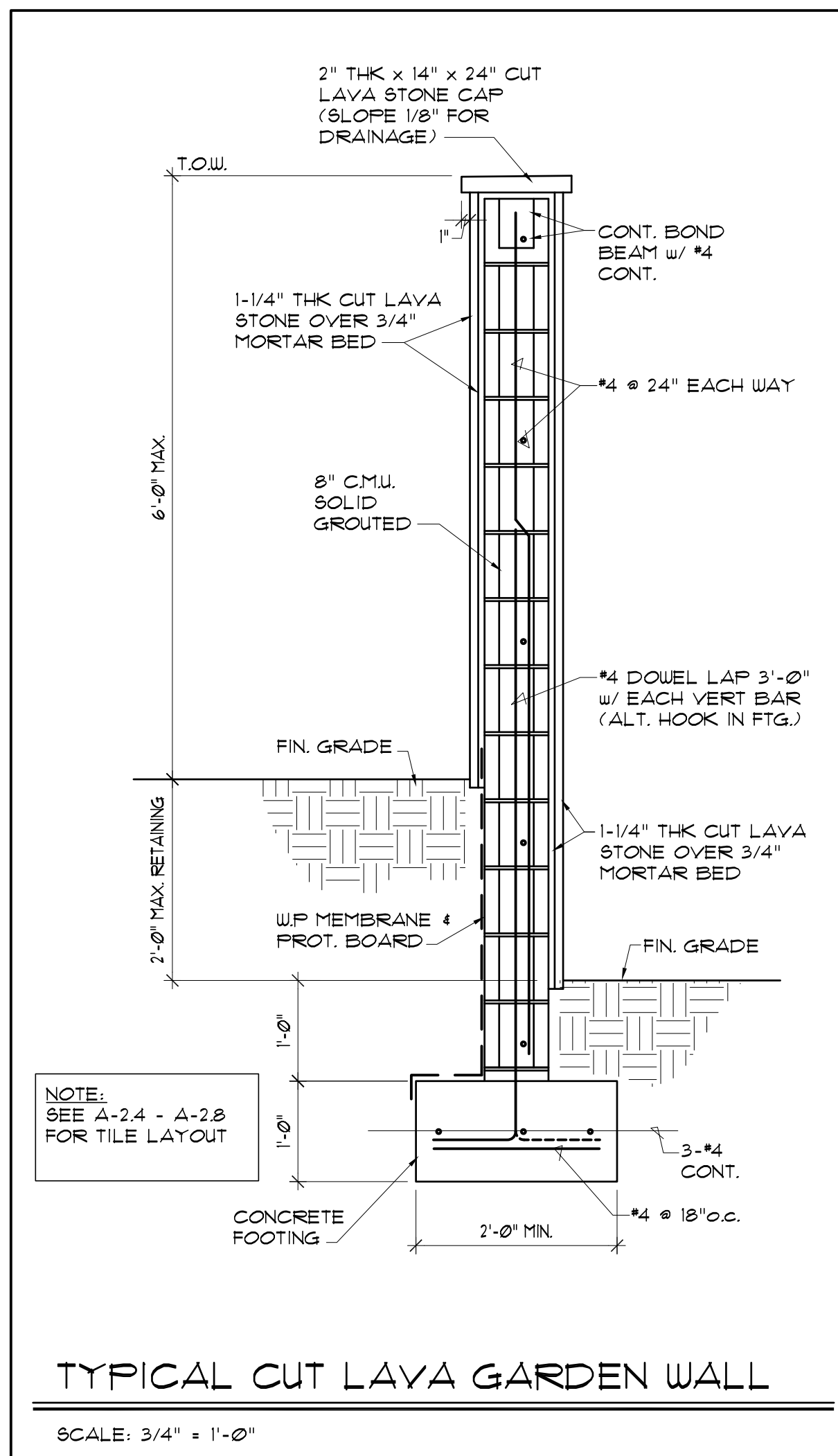
Kapalua, Maui, Hawaii

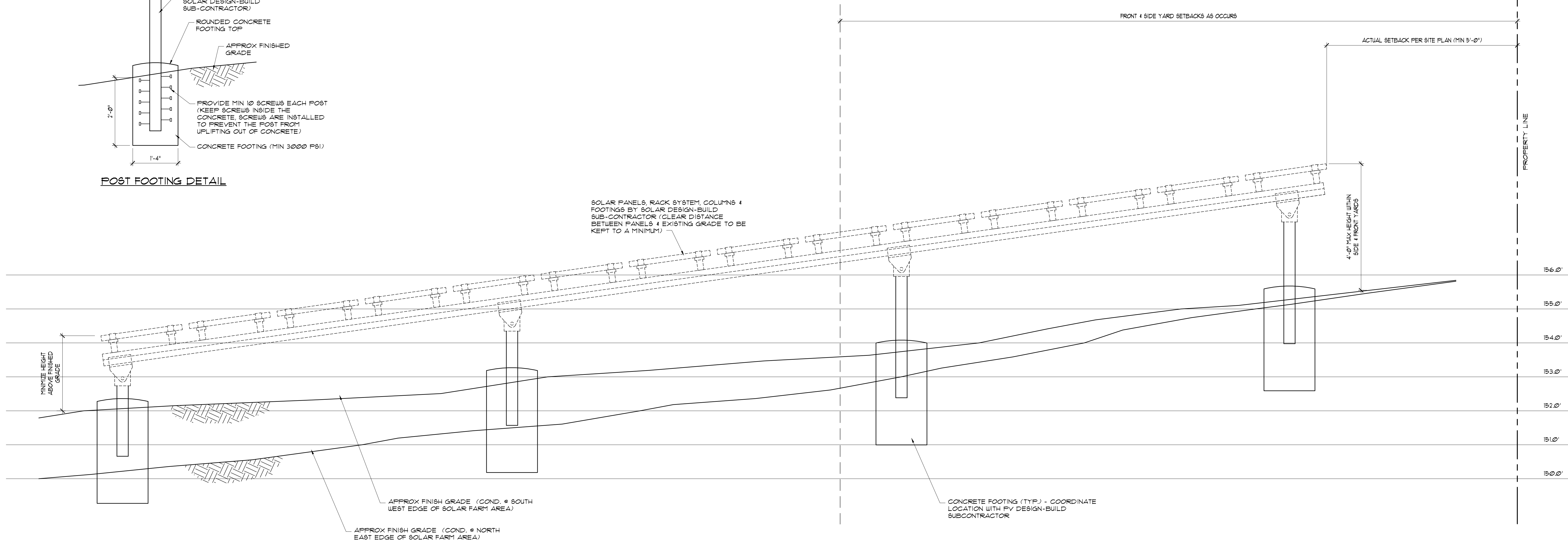
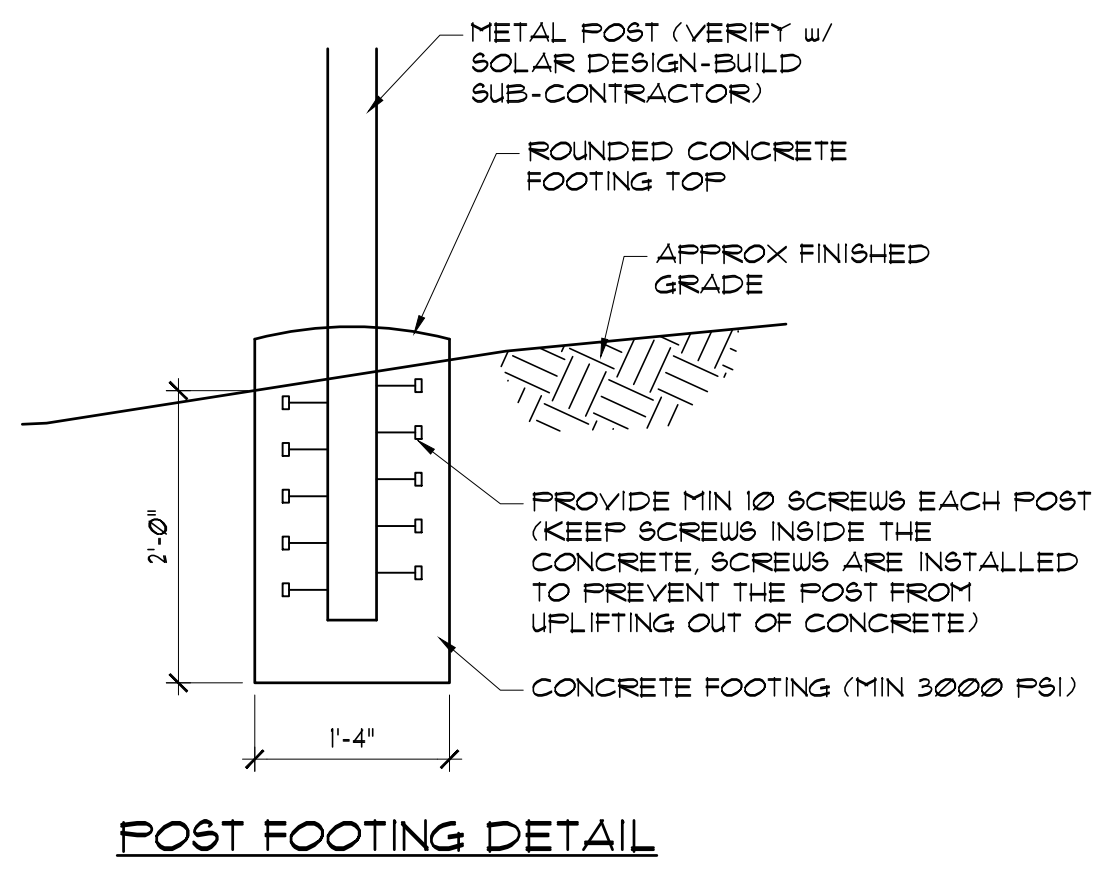
REVISIONS:
02/08/08 - 400 31
04/26/08 - 400 38

SHEET OF

A-1.1

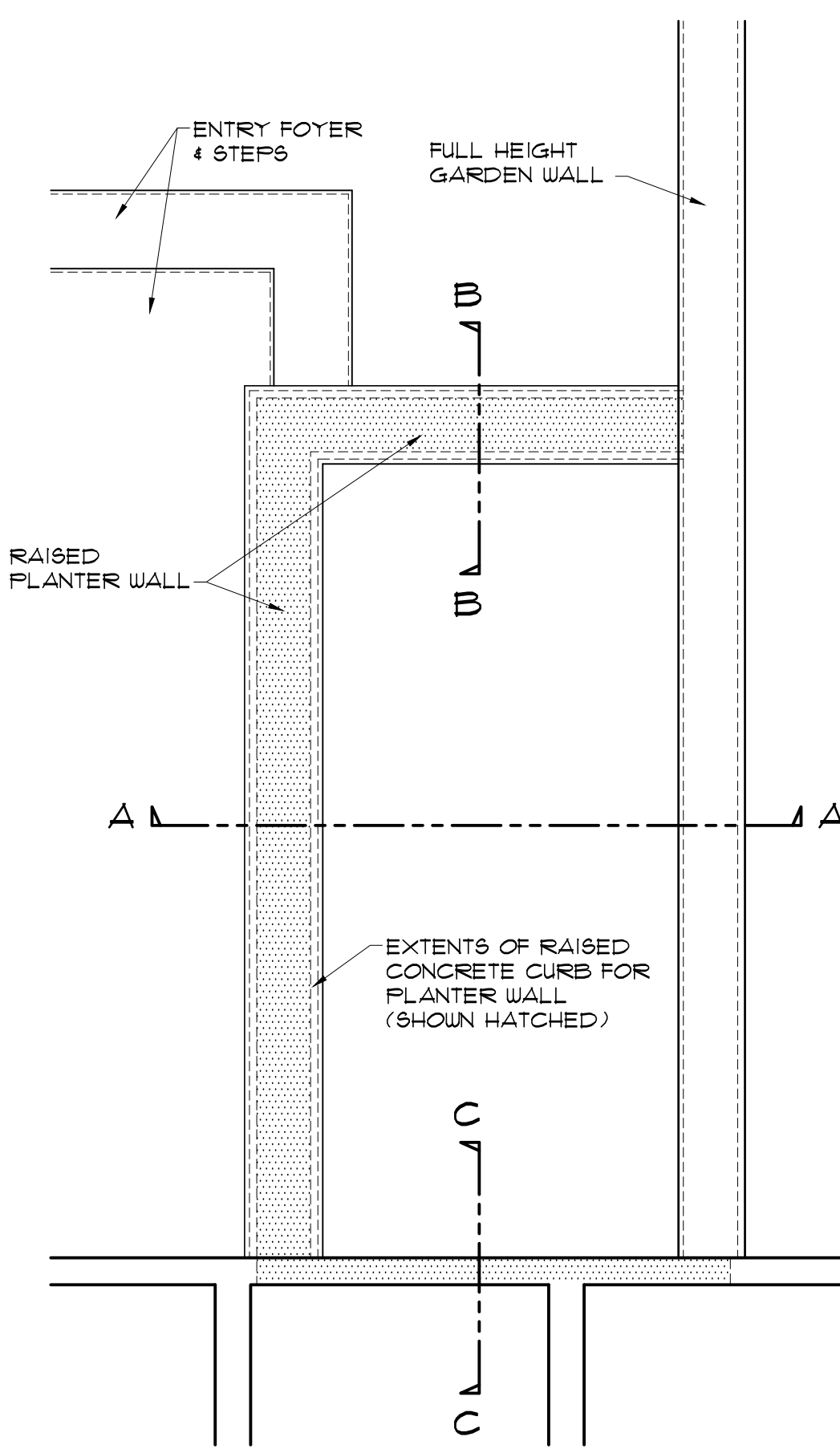
DATE: -





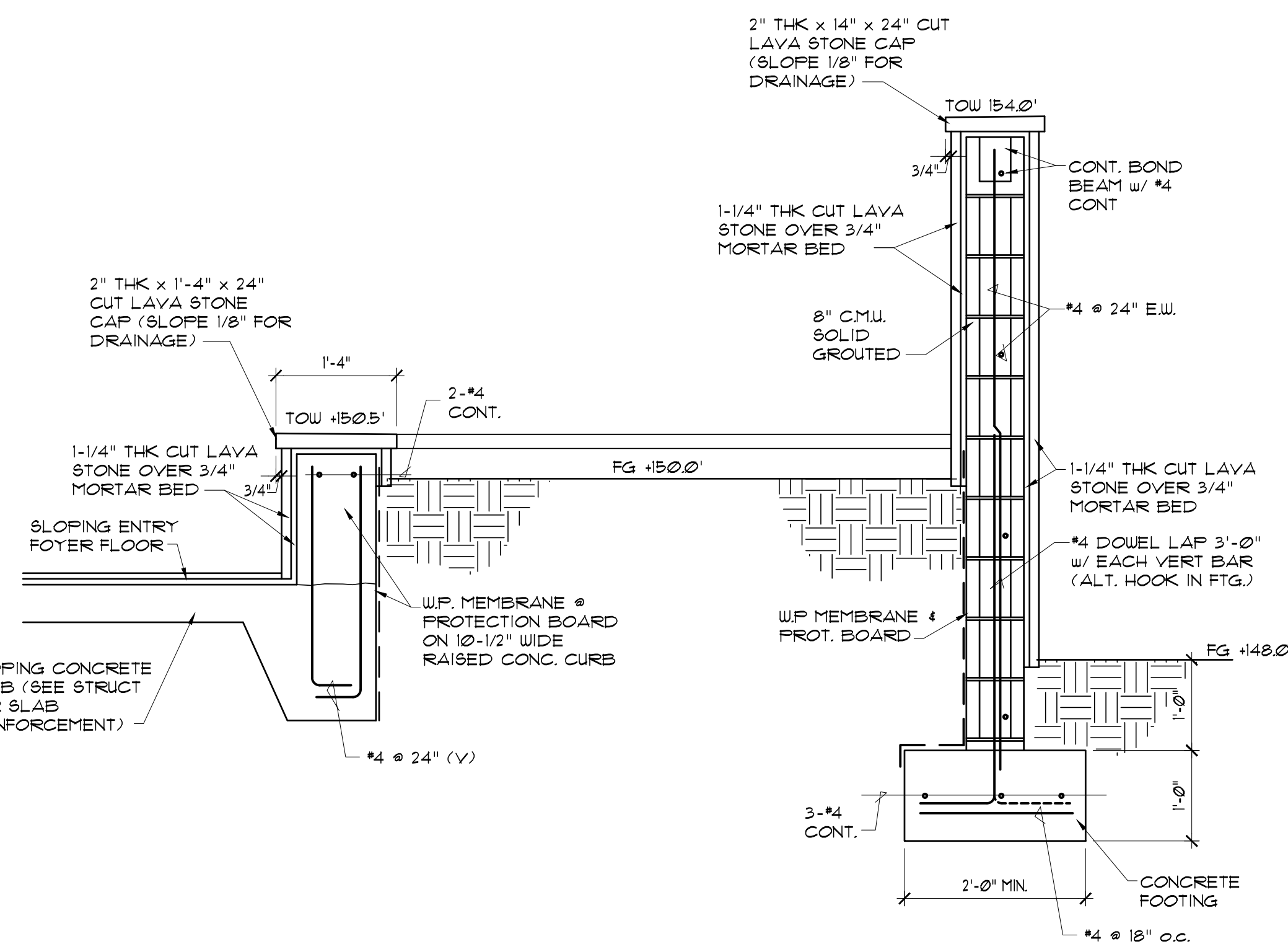
SOLAR FARM DETAIL SECTION

SCALE: 3/4" = 1'-0"

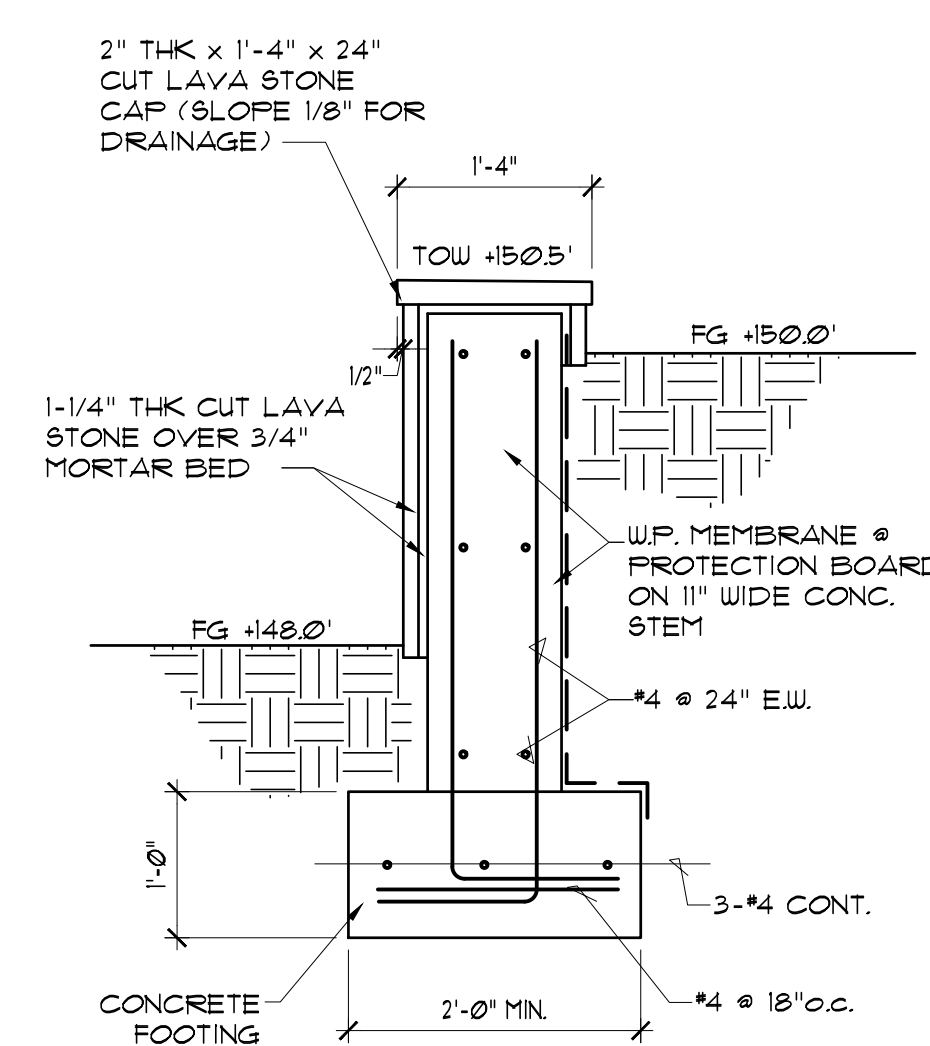


KEY PLAN
(NOT TO SCALE)

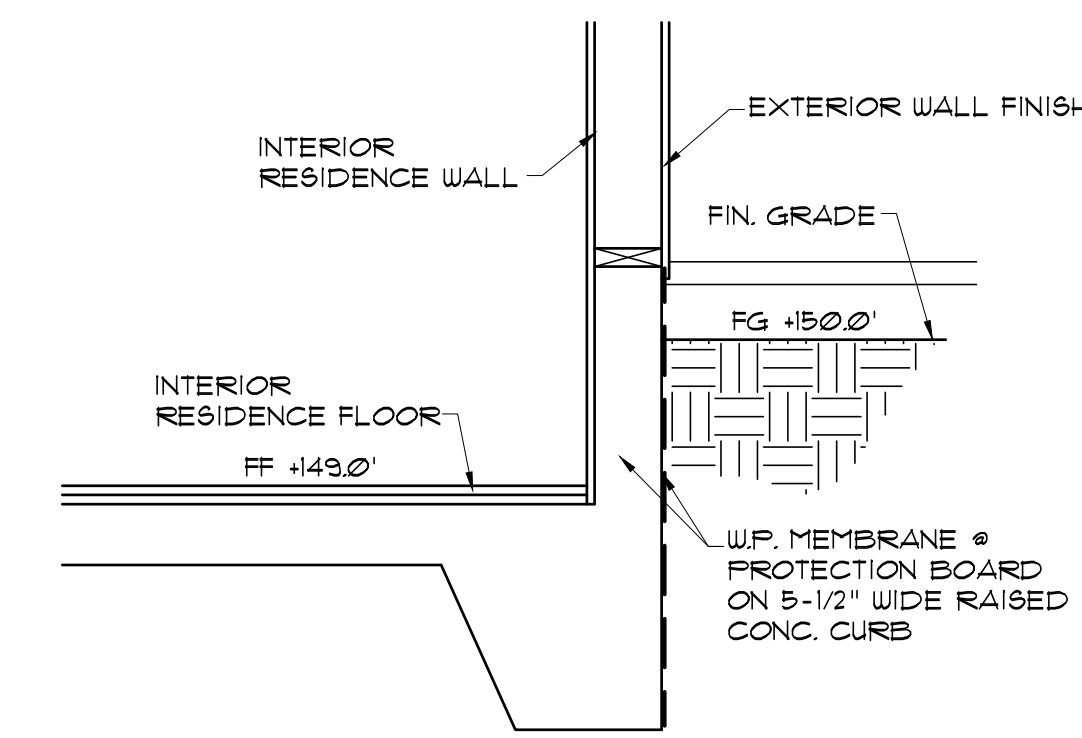
NOTE:
SEE A-2.1 FOR
TILE LAYOUT



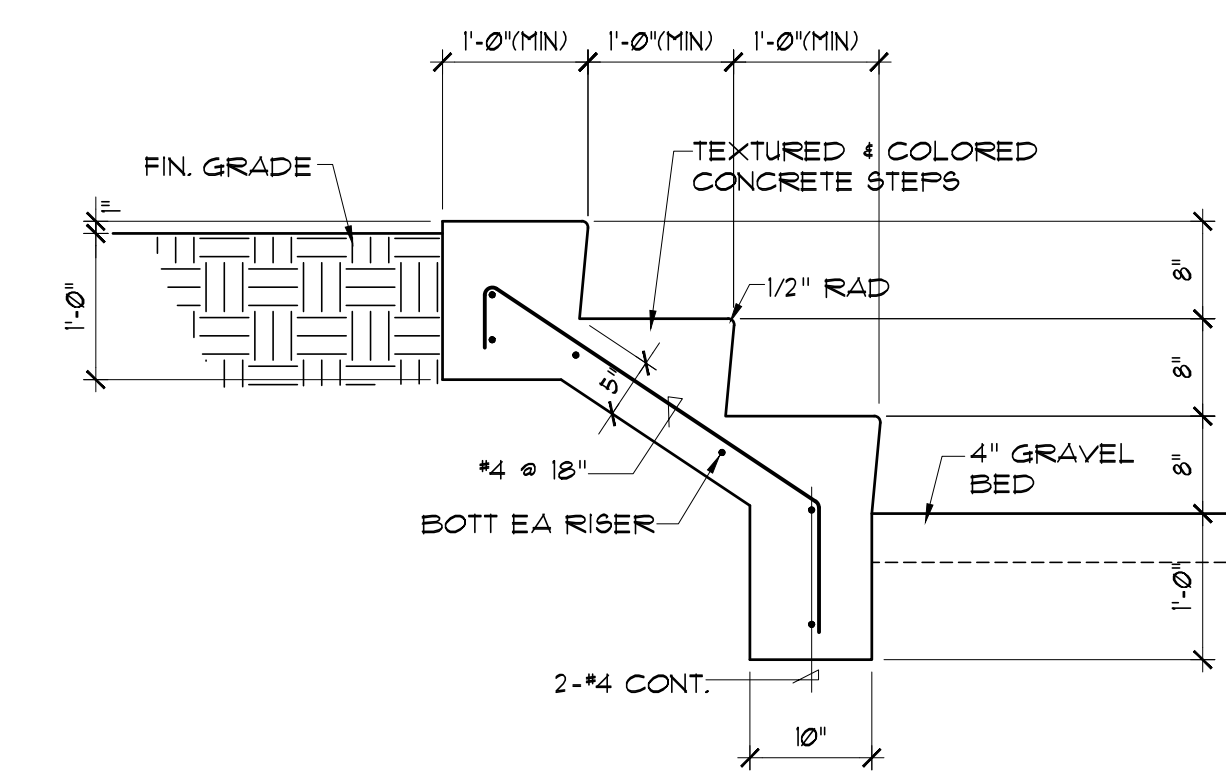
SECTION 'A'



SECTION 'B'



SECTION 'C'



TYPICAL SITE STEPS

SCALE: 3/4" = 1'-0"

RAISED PLANTER & ENTRY FOYER DETAILS

SCALE: 3/4" = 1'-0"

654 Lumula St.
Honolulu, HI 96819
Tel: 808-842-4929
Web: nanhawaii.com

Nan Inc

Kapalua Mauka Mahana Estates - Lot 1
Kapalua, Maui, Hawaii

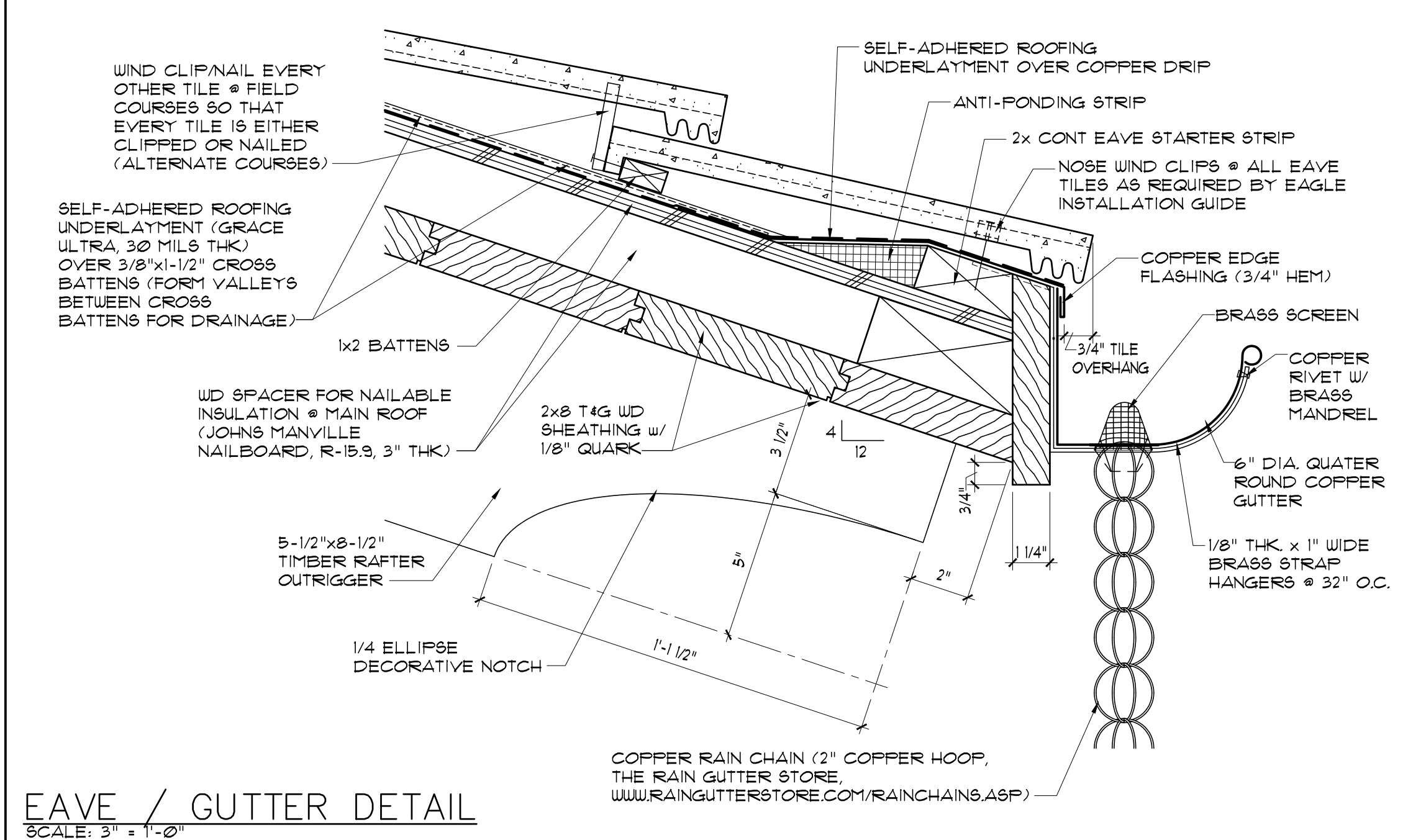
SITE DETAILS

REVISIONS:
06-09-2014
07-23-2014
08-23-2014
09-23-2014
09-23-2014

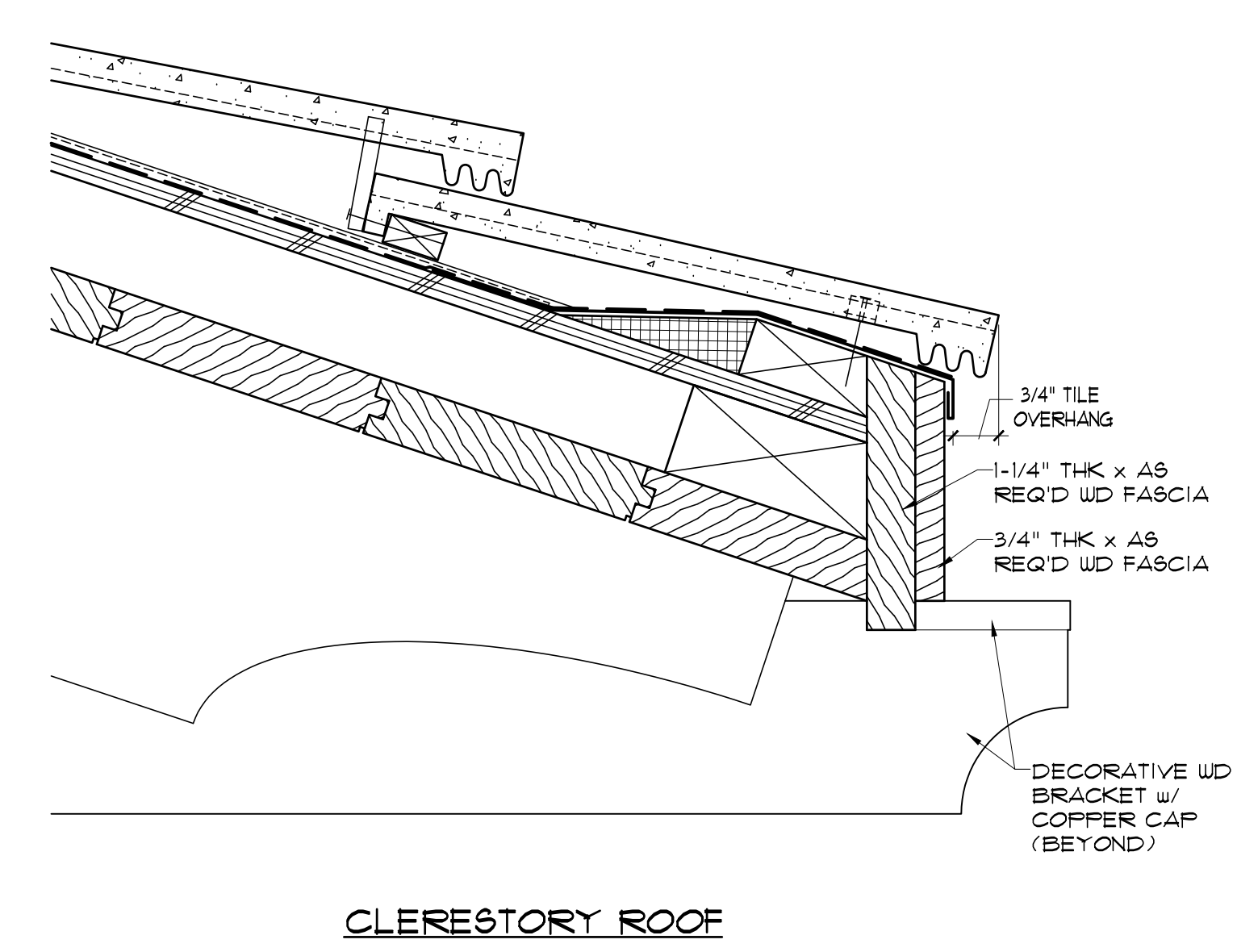
SHEET - OF -

A-13

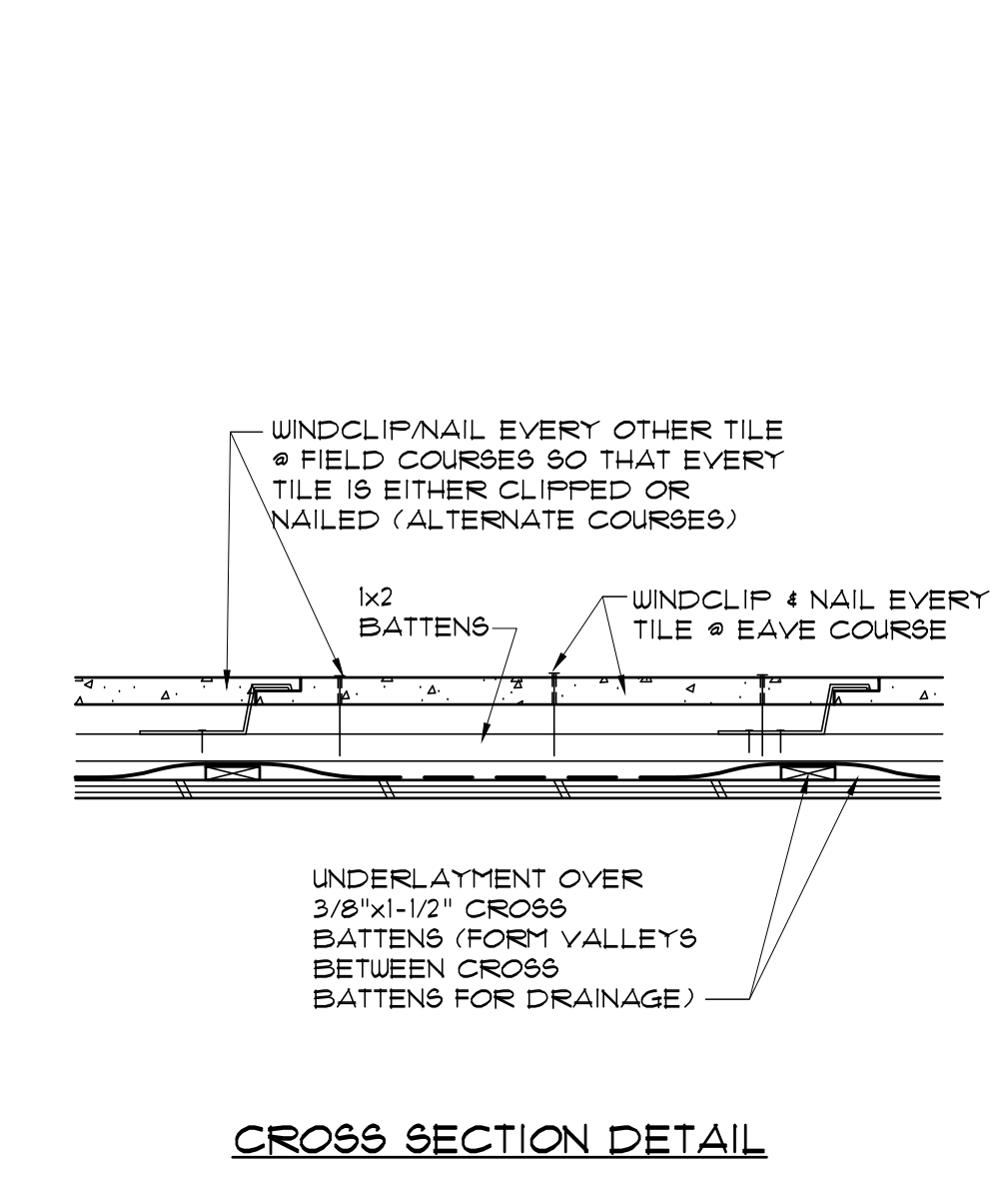
DATE: -



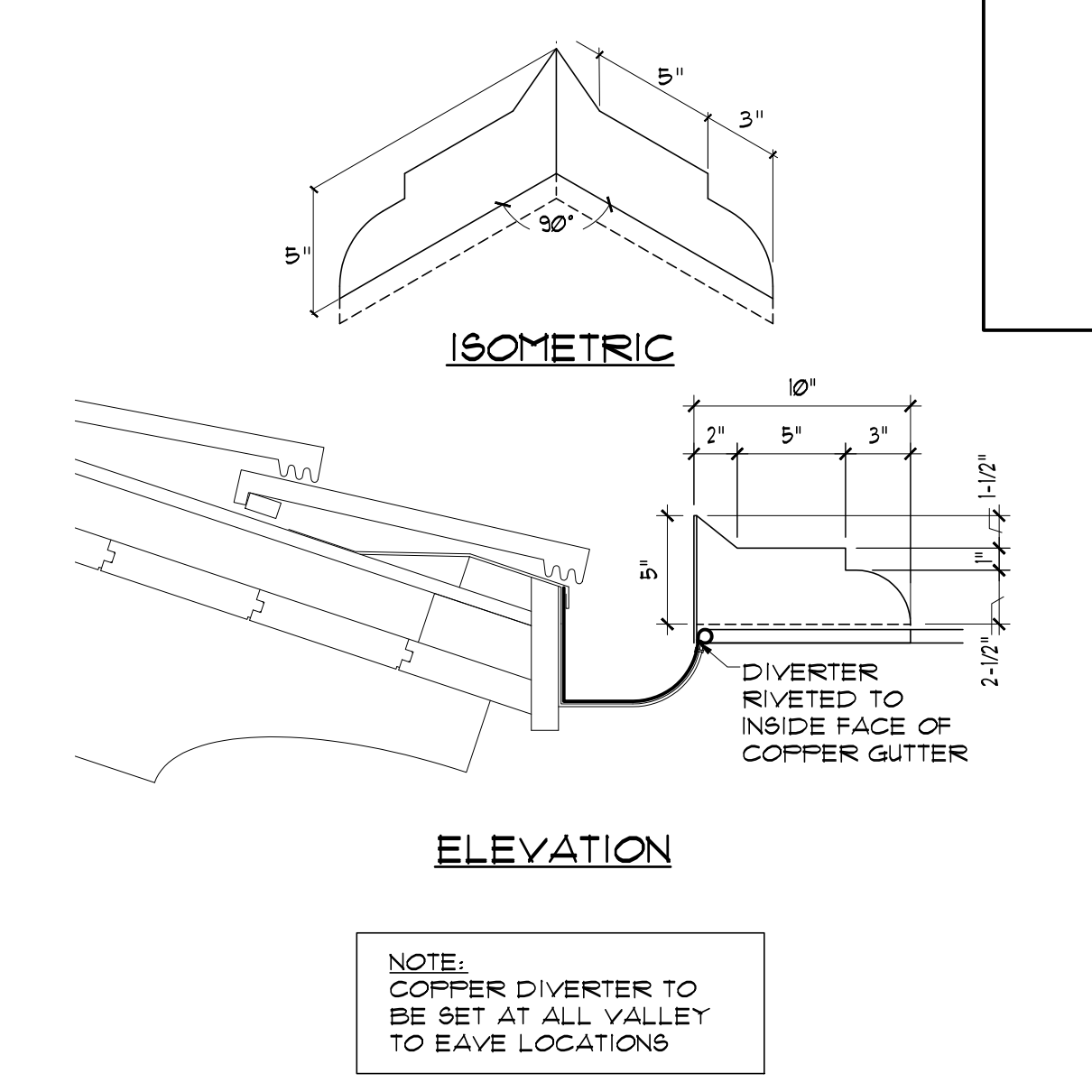
EAVE / GUTTER DETAIL
SCALE: 3" = 1'-0"



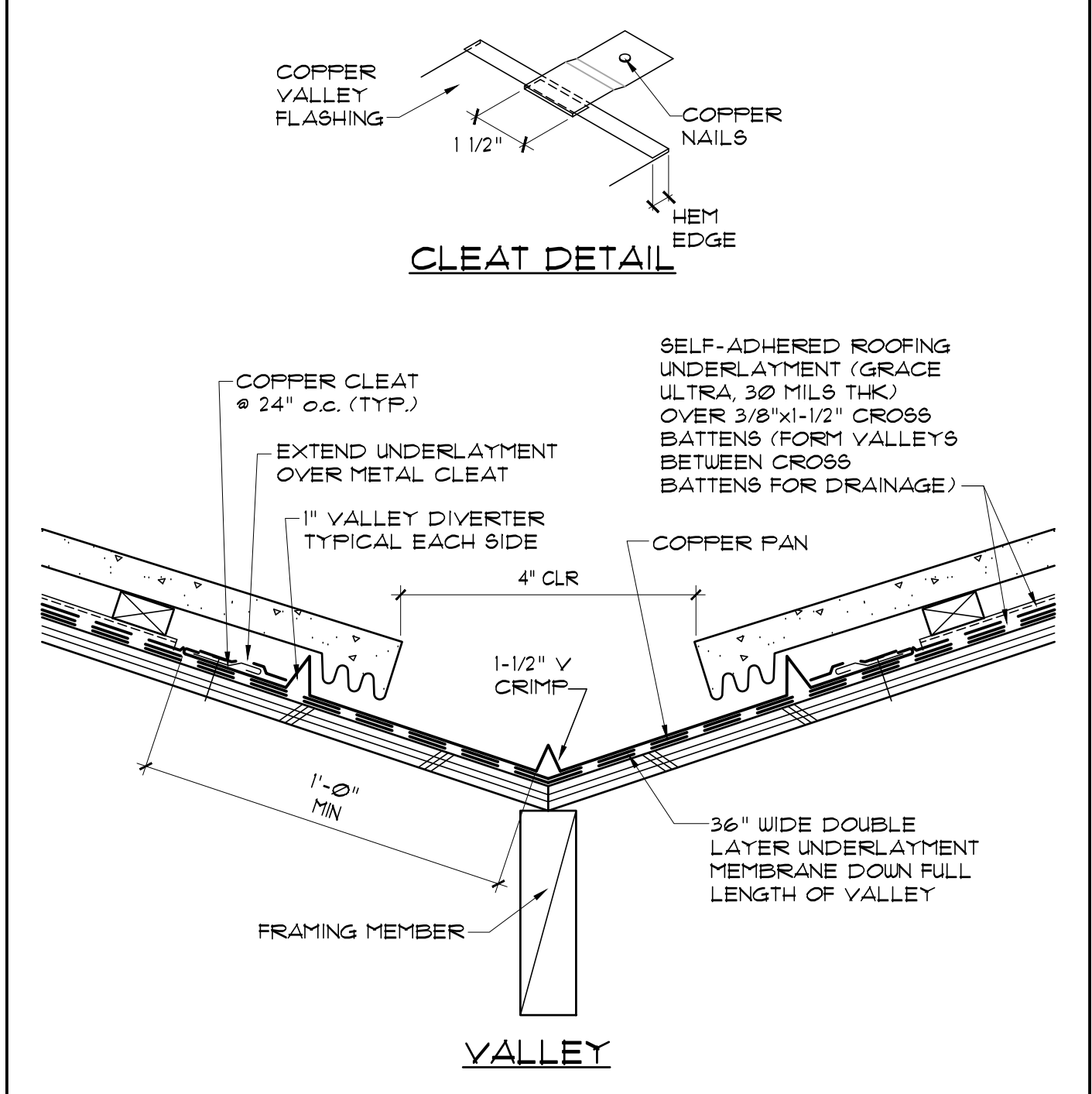
CLERESTORY ROOF



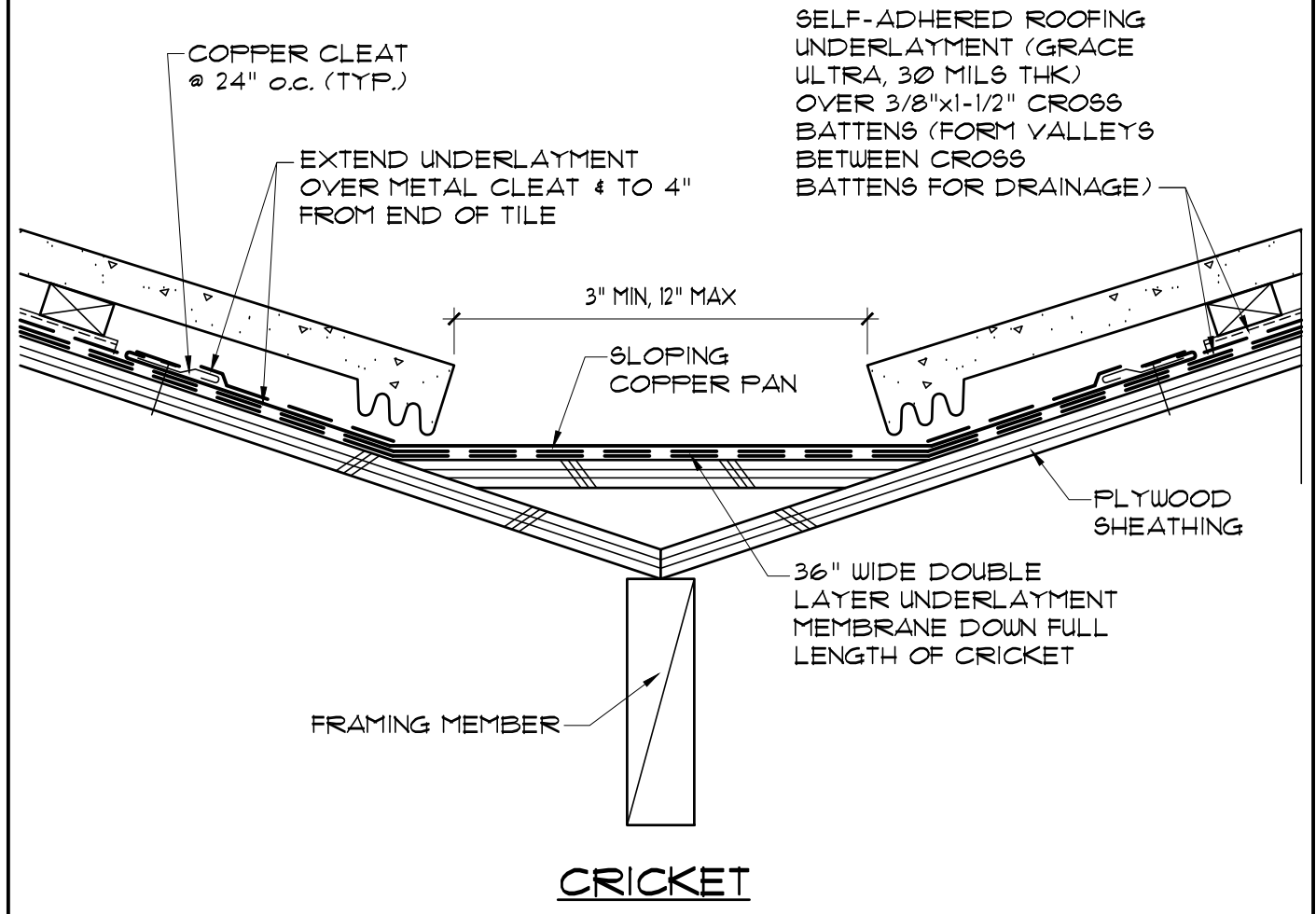
CROSS SECTION DETAIL



DIVERTER DETAIL
SCALE: 1 1/2" = 1'-0"

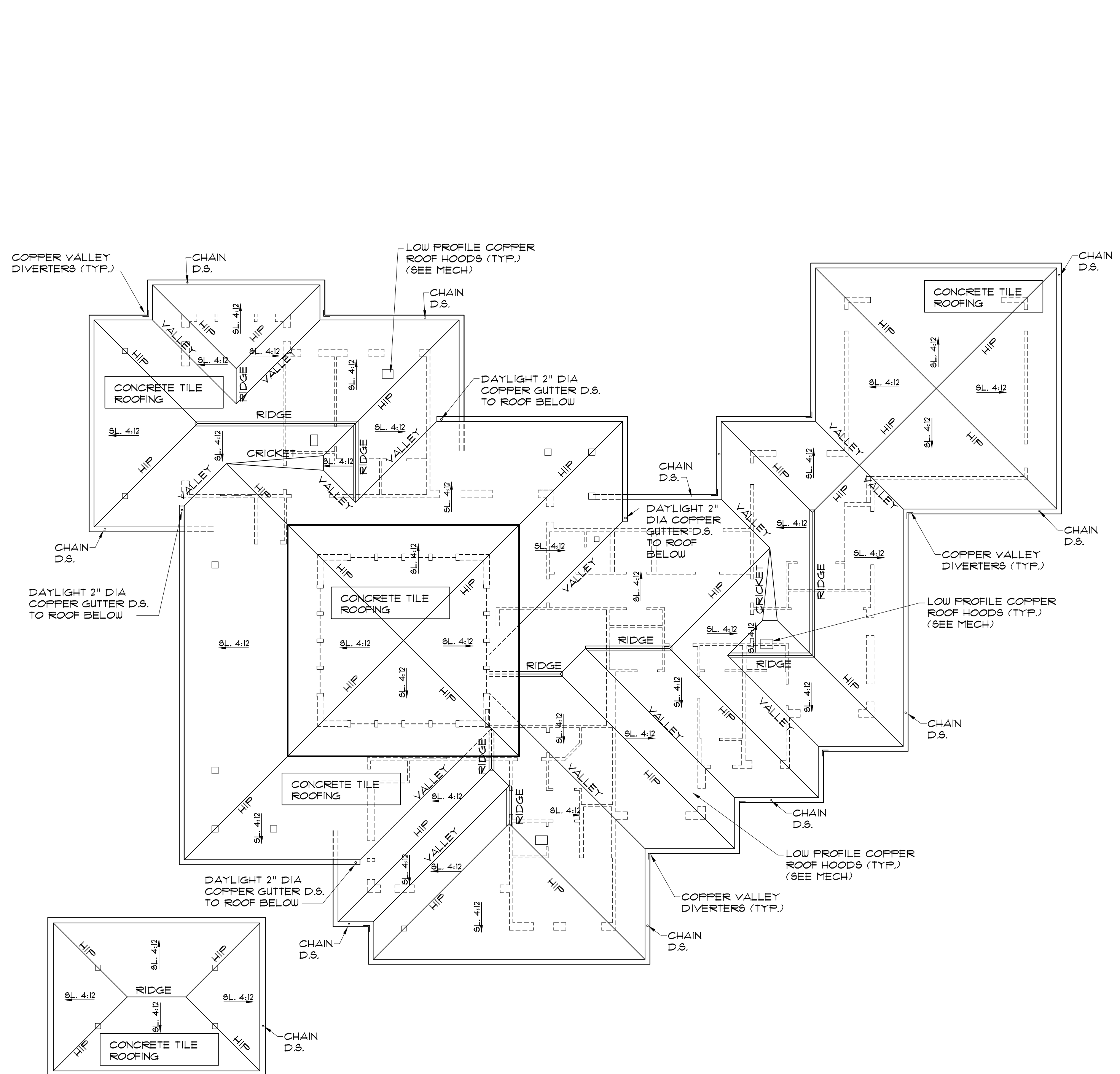


VALLEY

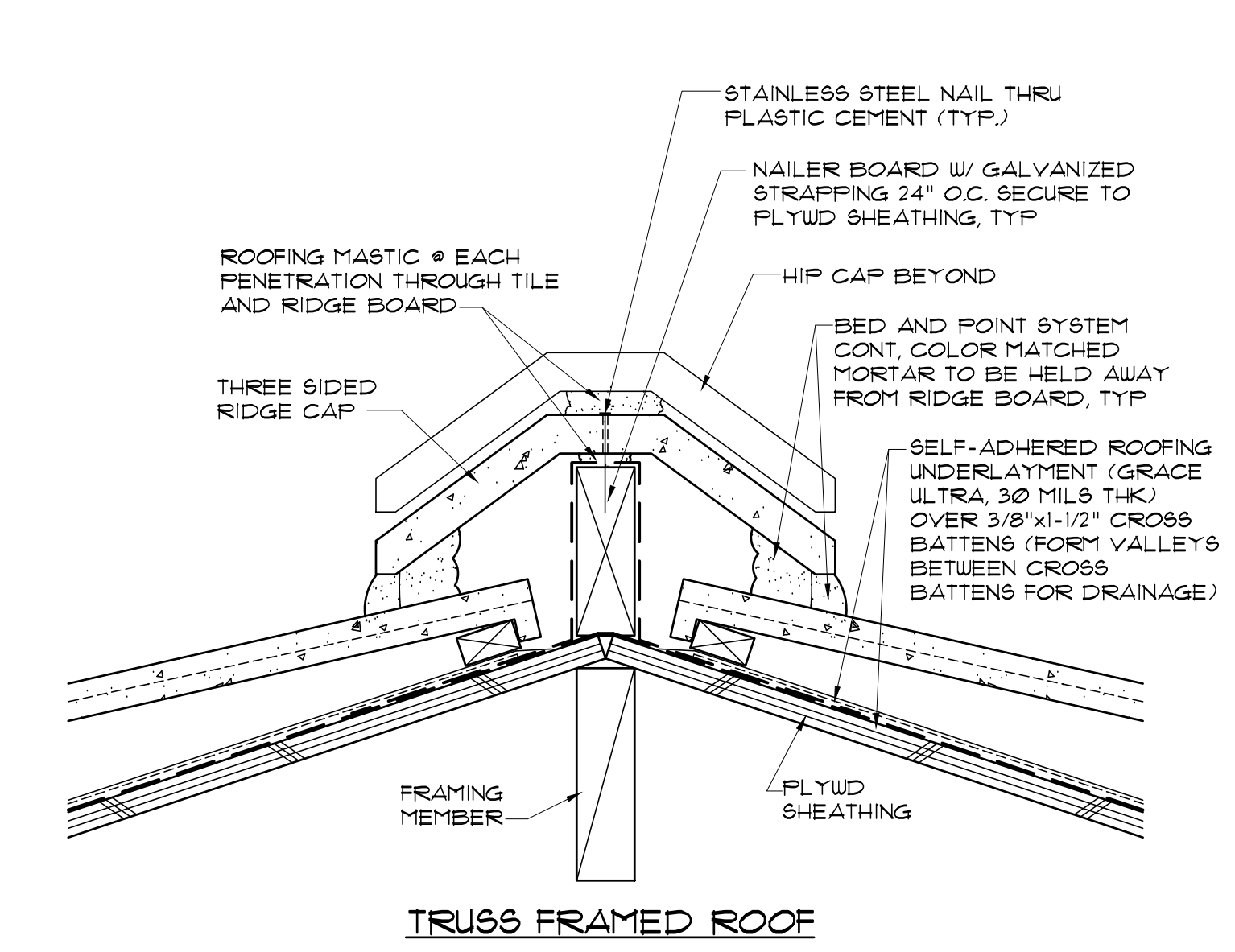


CRICKET

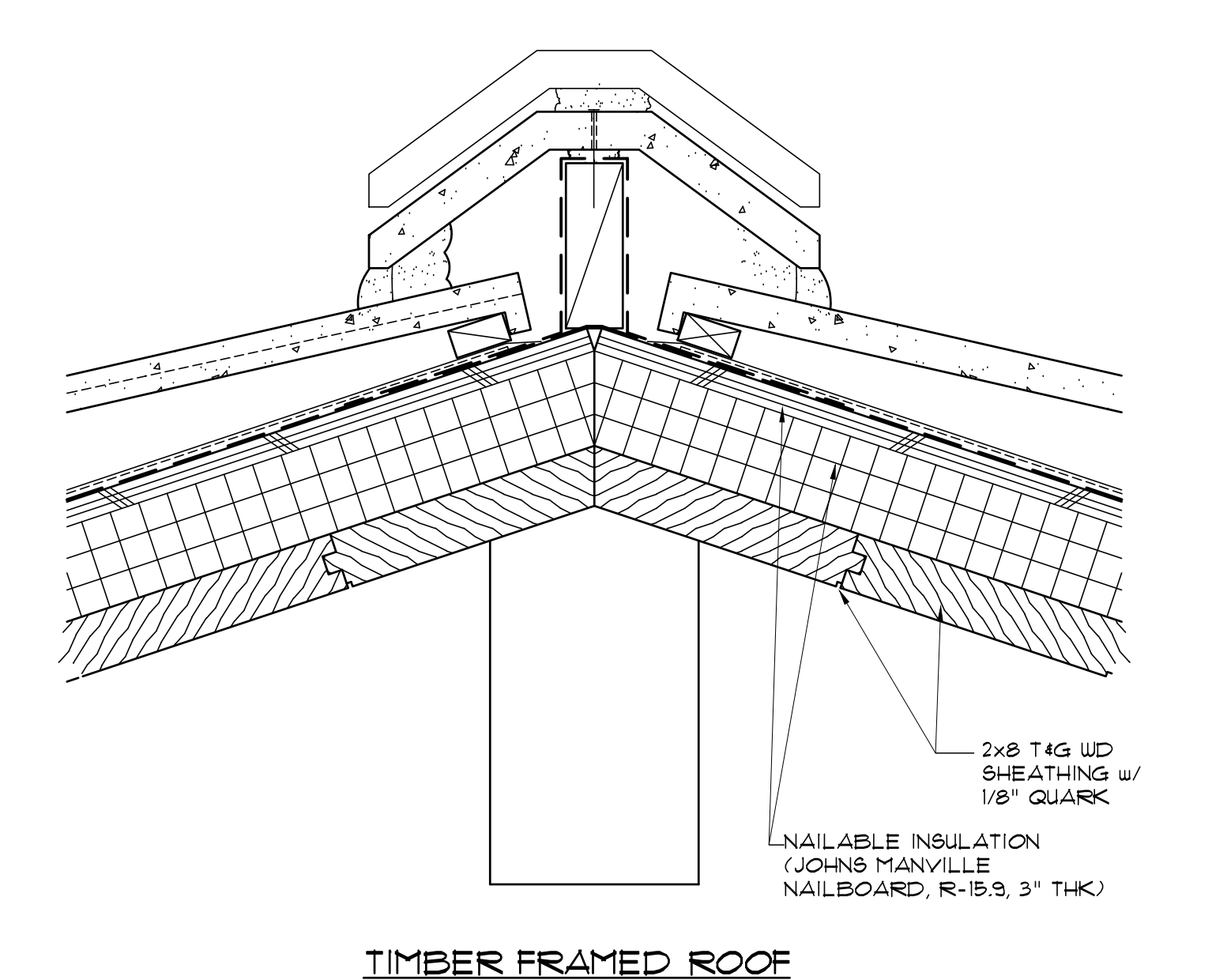
ROOF VALLEY & CRICKET DETAIL
SCALE: 3" = 1'-0"



ROOF PLAN
SCALE: 1" = 10'-0"

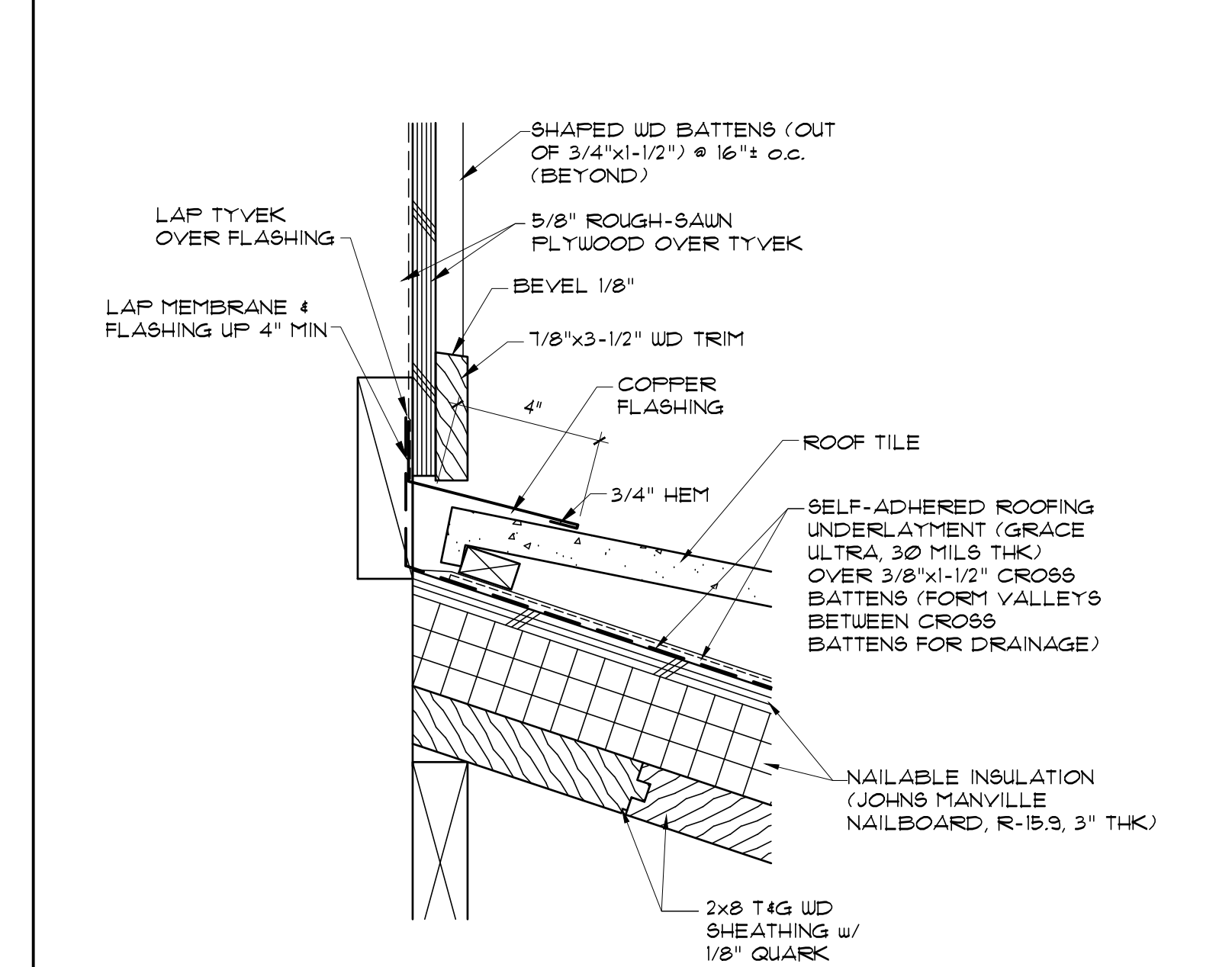


TRUSS FRAMED ROOF



TIMBER FRAMED ROOF

ROOF HIP / RIDGE DETAIL
SCALE: 3" = 1'-0"



ROOF FLASHING @ WALL
SCALE: 3" = 1'-0"

636 Lamaha St.
Honolulu, HI 96819
Tel: 808-842-4929
Web: nanhawaii.com

Nan Inc

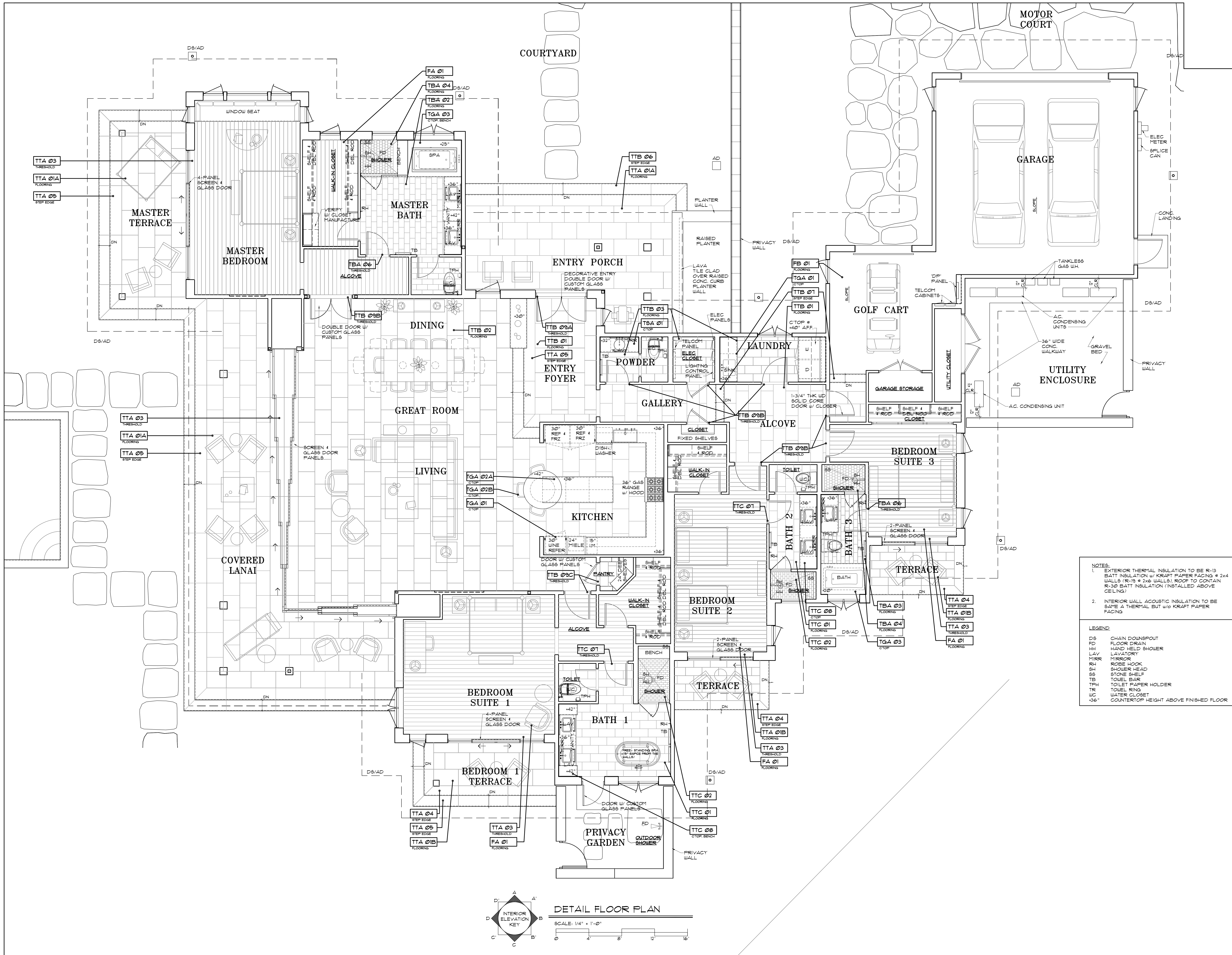
Kapalua Mauka Mahana Estates - Model A1
Kapalua, Maui, Hawaii

REVISIONS:
01/15/2014
02/02/2014
02/02/2014
02/02/2014
02/02/2014

SHEET - OF -

A-1.4

DATE: -



NOTES:

- EXTERIOR THRESHOL INSULATION TO BE R-13 BATT INSULATION w/ KRAFT PAPER FACING @ 2x4 WALLS (R-13 @ 2x6 WALLS) ROOF TO CONTAIN R-30 BATT INSULATION (INSTALLED ABOVE CEILING)
- INTERIOR WALL ACOUSTIC INSULATION TO BE SAME A THERMAL BUT w/6 KRAFT PAPER FACING

LEGEND:

- DS CHAIN DOWNSPOUT
- FD FLOOR DRAIN
- HH HAND HELD SHOWER
- LAV LAVATORY
- MIRR MIRROR
- RH ROBE HOOK
- SH SHOWER HEAD
- SS STONE SHELF
- TB TOILET BAR
- TPH TOILET PAPER HOLDER
- TR TOILET RING
- WC WATER CLOSET
- +36" COUNTERTOP HEIGHT ABOVE FINISHED FLOOR

DETAIL FLOOR PLAN
 SCALE: 1/4" = 1'-0"
 0 4 8 12 16

636 Lumbia St.
 Honolulu, HI 96819
 Tel. 808-842-9929
 Web: nanhaiwall.com

Nan Inc

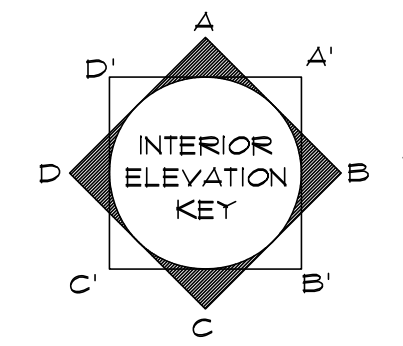
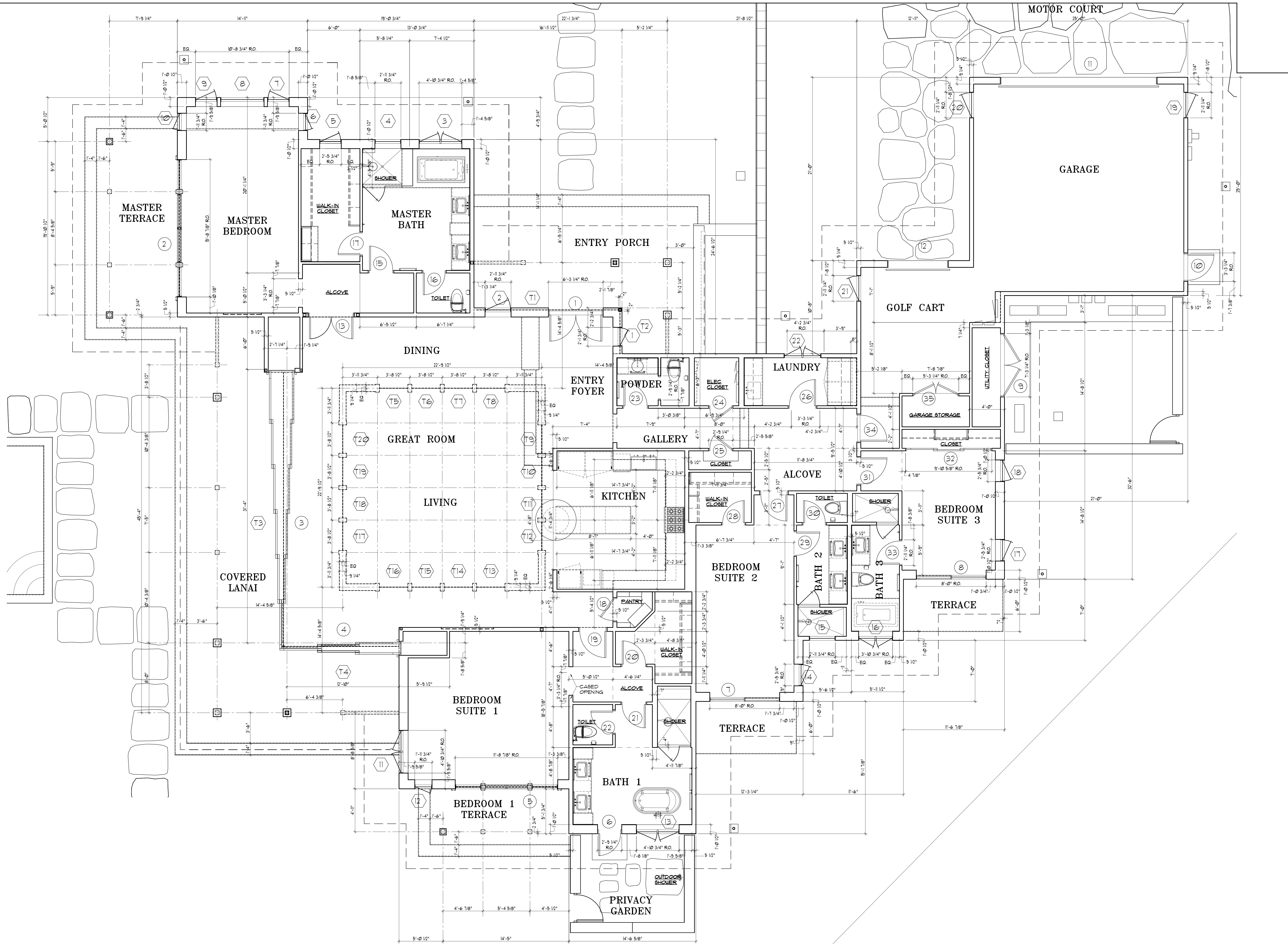
Kapalua Mauka Mahana Estates - Model A1
 Kapalua, Maui, Hawaii

REVISIONS:
 01/20/08 - ACC 01
 02/10/08 - ACC 02
 03/10/08 - ACC 03
 04/10/08 - ACC 04
 05/10/08 - ACC 05
 06/10/08 - ACC 06
 07/10/08 - ACC 07
 08/10/08 - ACC 08
 09/10/08 - ACC 09
 10/10/08 - ACC 10

SHEET OF

A-2.1

DATE:



DETAIL DIMENSION FLOOR PLAN
SCALE: 1/4" = 1'-0"

636 Lamaha St.
Honolulu, HI 96819
Tel. 808-842-4929
Web: nanahawaii.com

Nan Inc

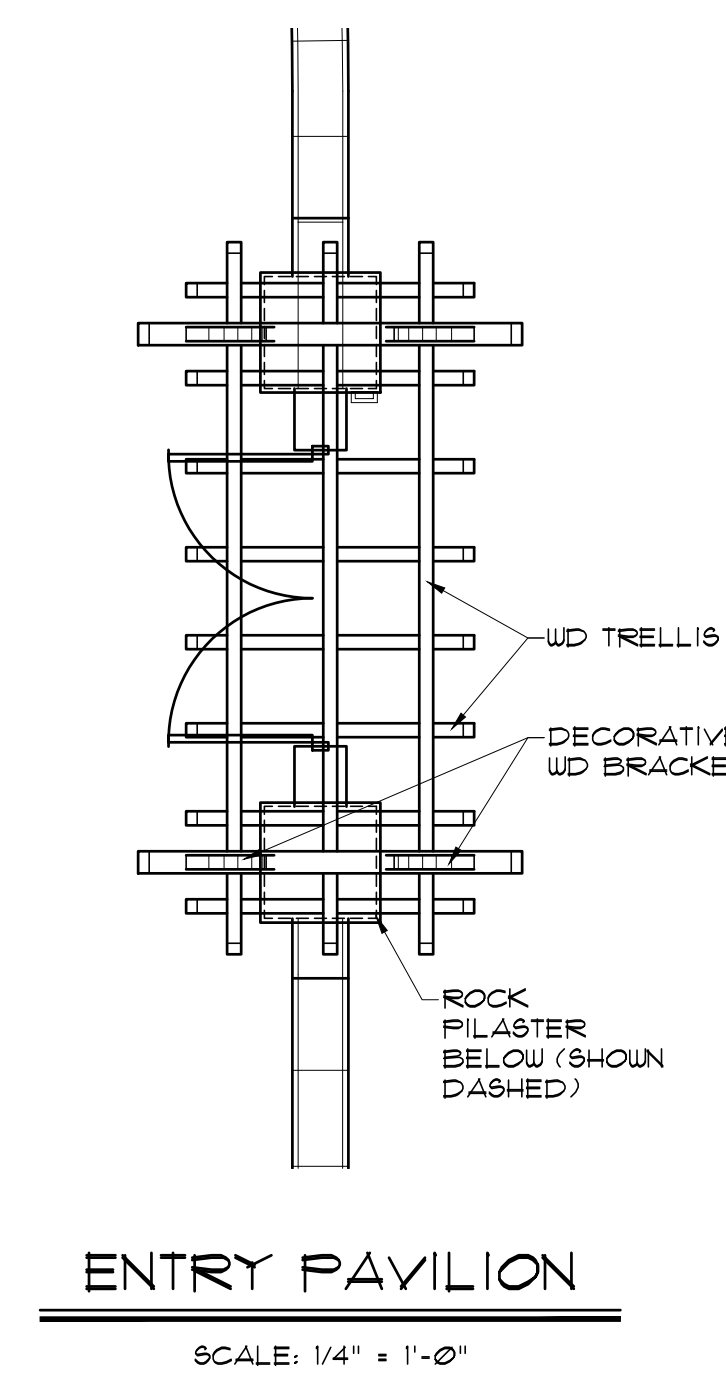
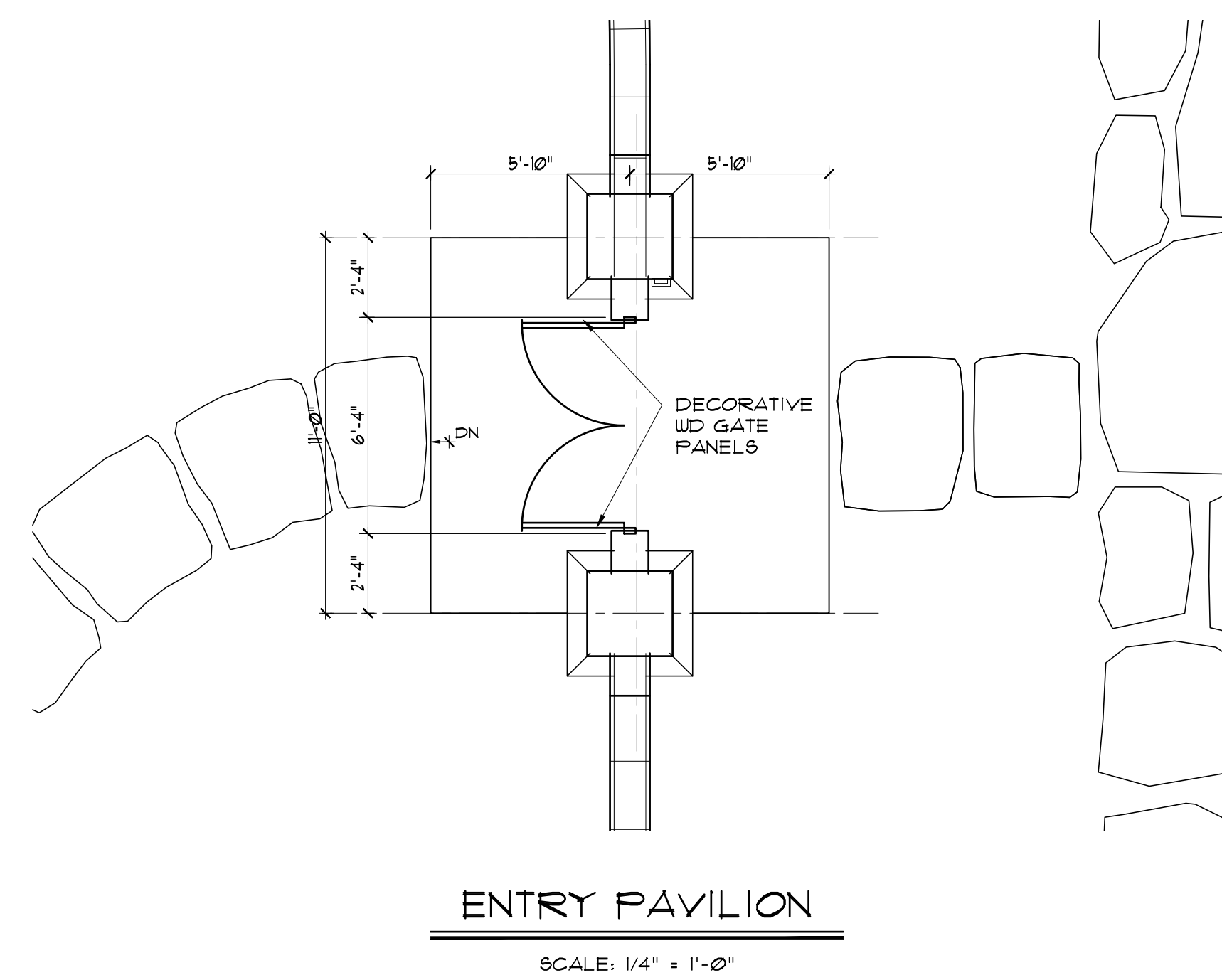
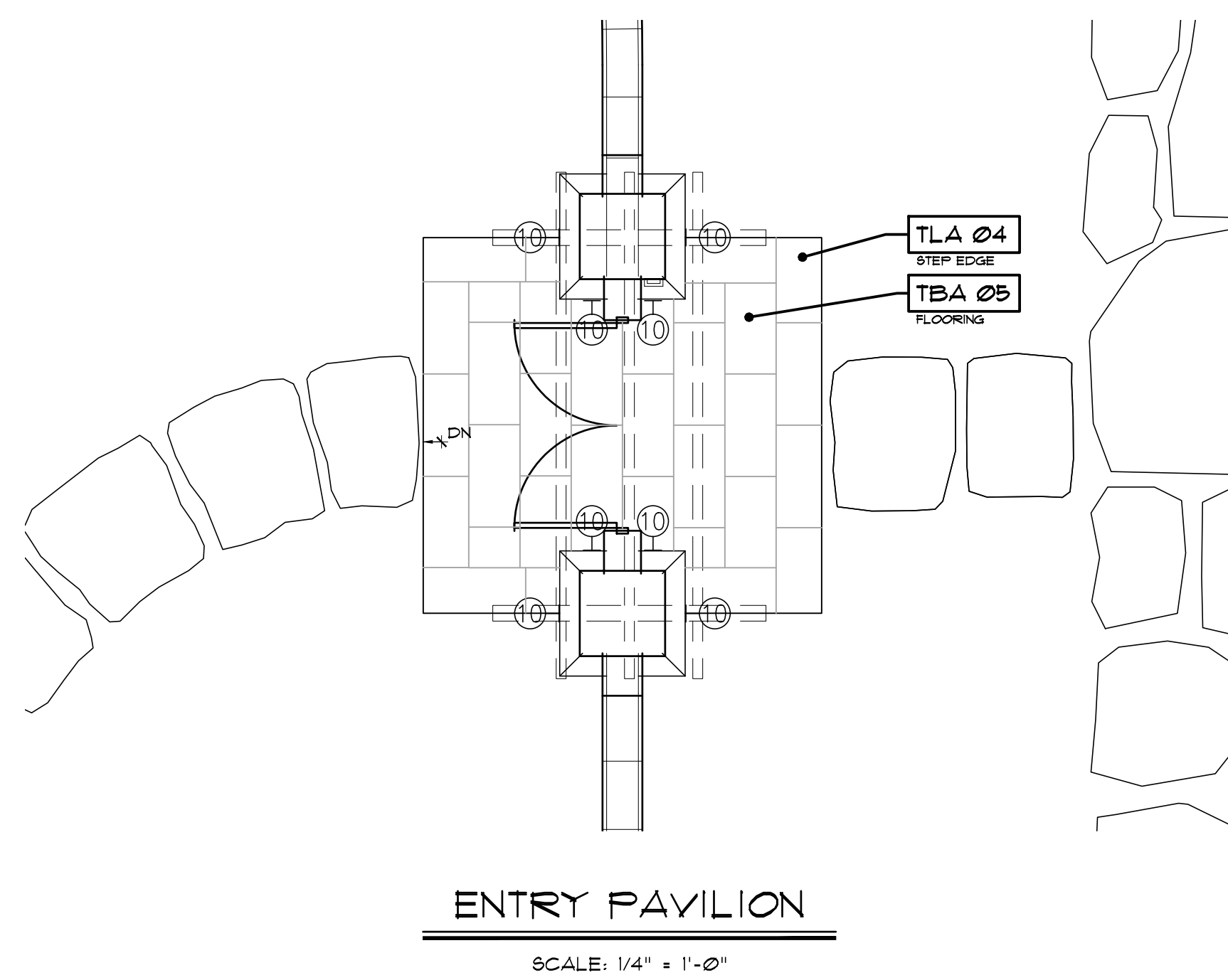
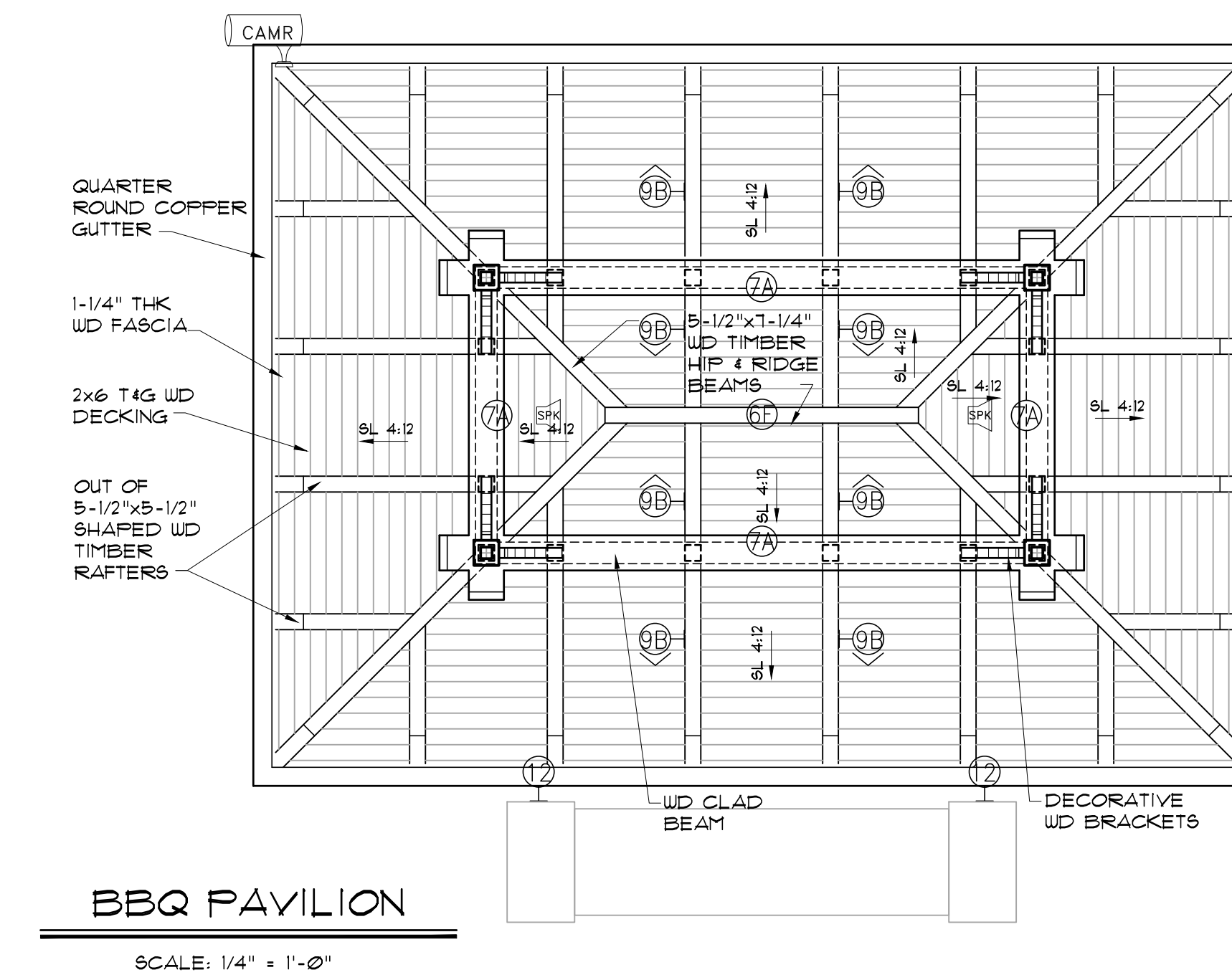
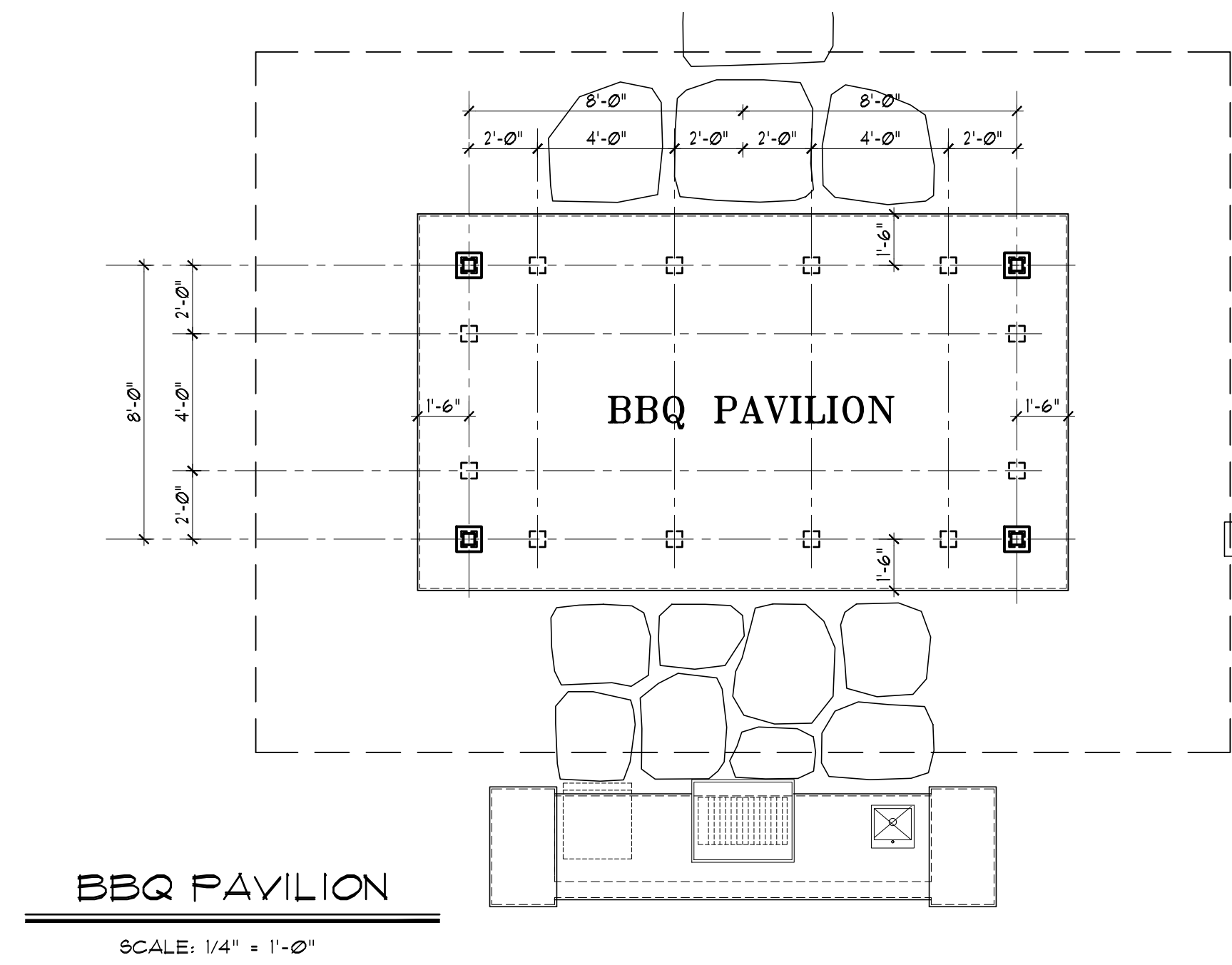
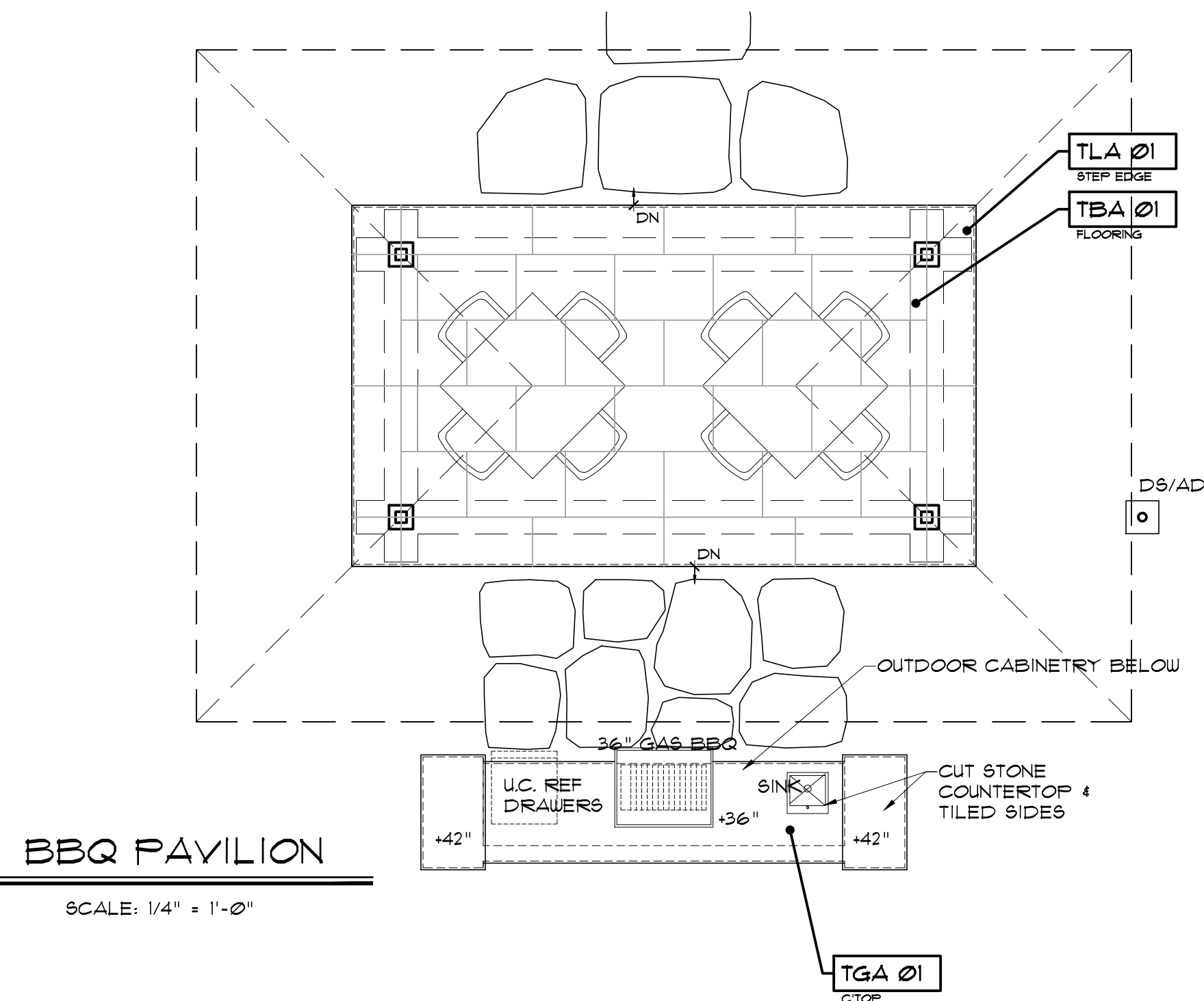
Kapalua Mauka Mahana Estates - Model A1
Kapalua, Maui, Hawaii

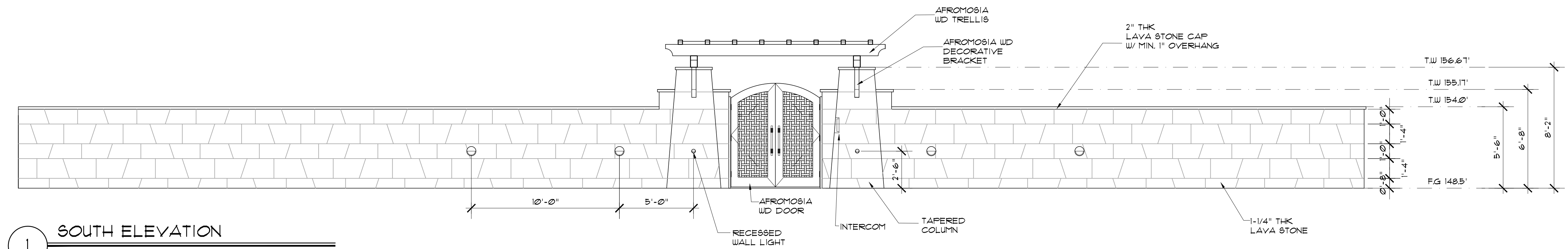
REVISIONS:
10/22/09 - ADD ST
11/23/09 - ADD 26
12/22/09 - ADD 26

SHEET OF

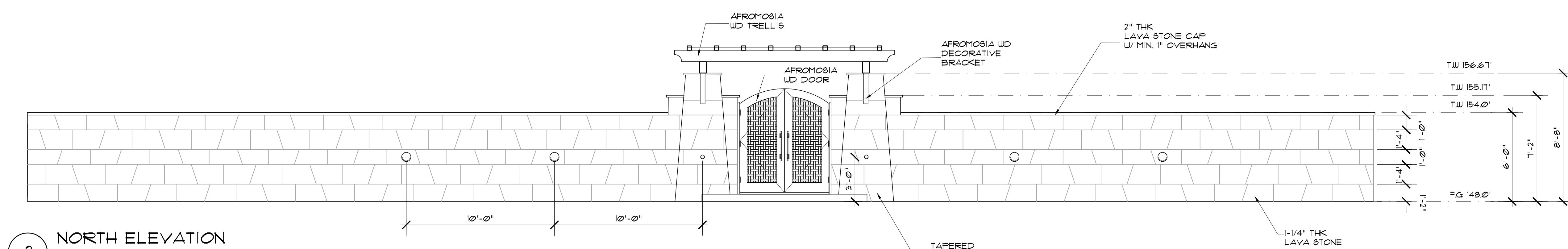
A-2.2

DATE:

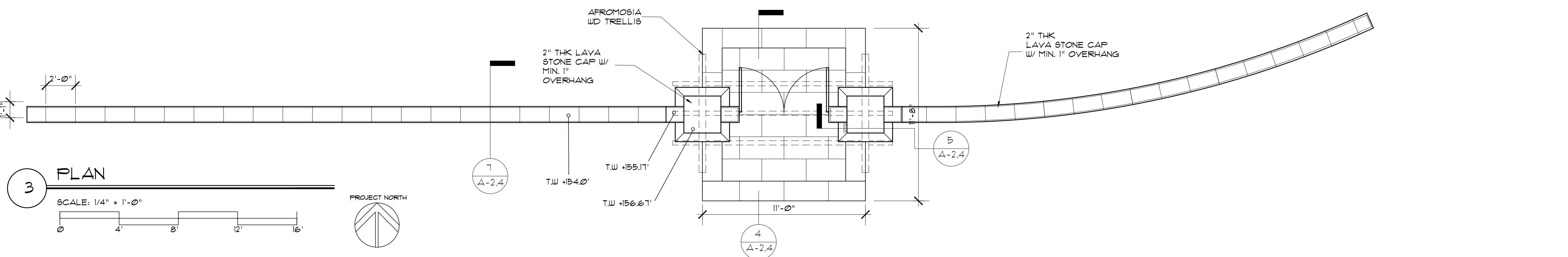




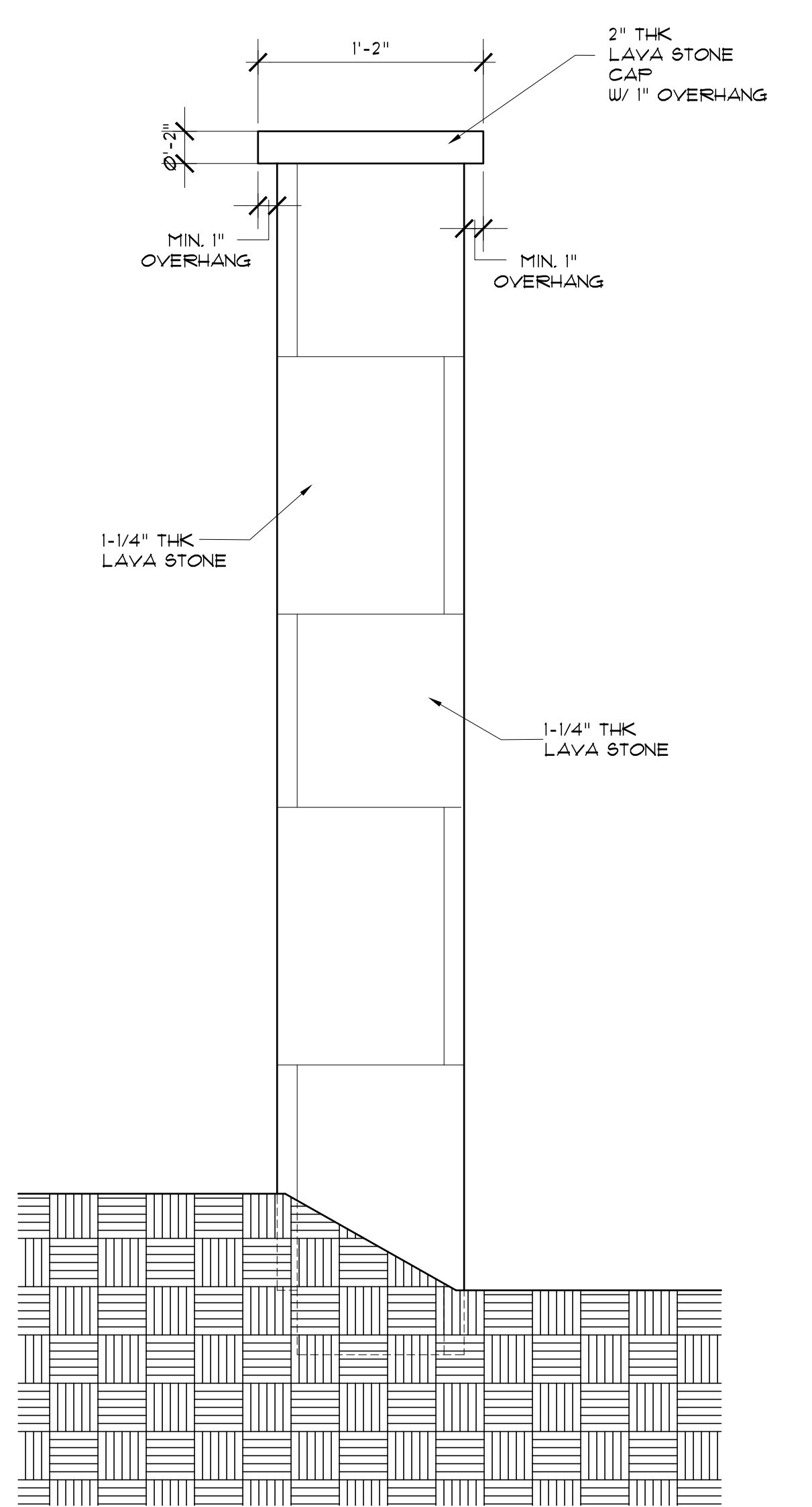
1 SOUTH ELEVATION
SCALE: 1/4" = 1'-0"



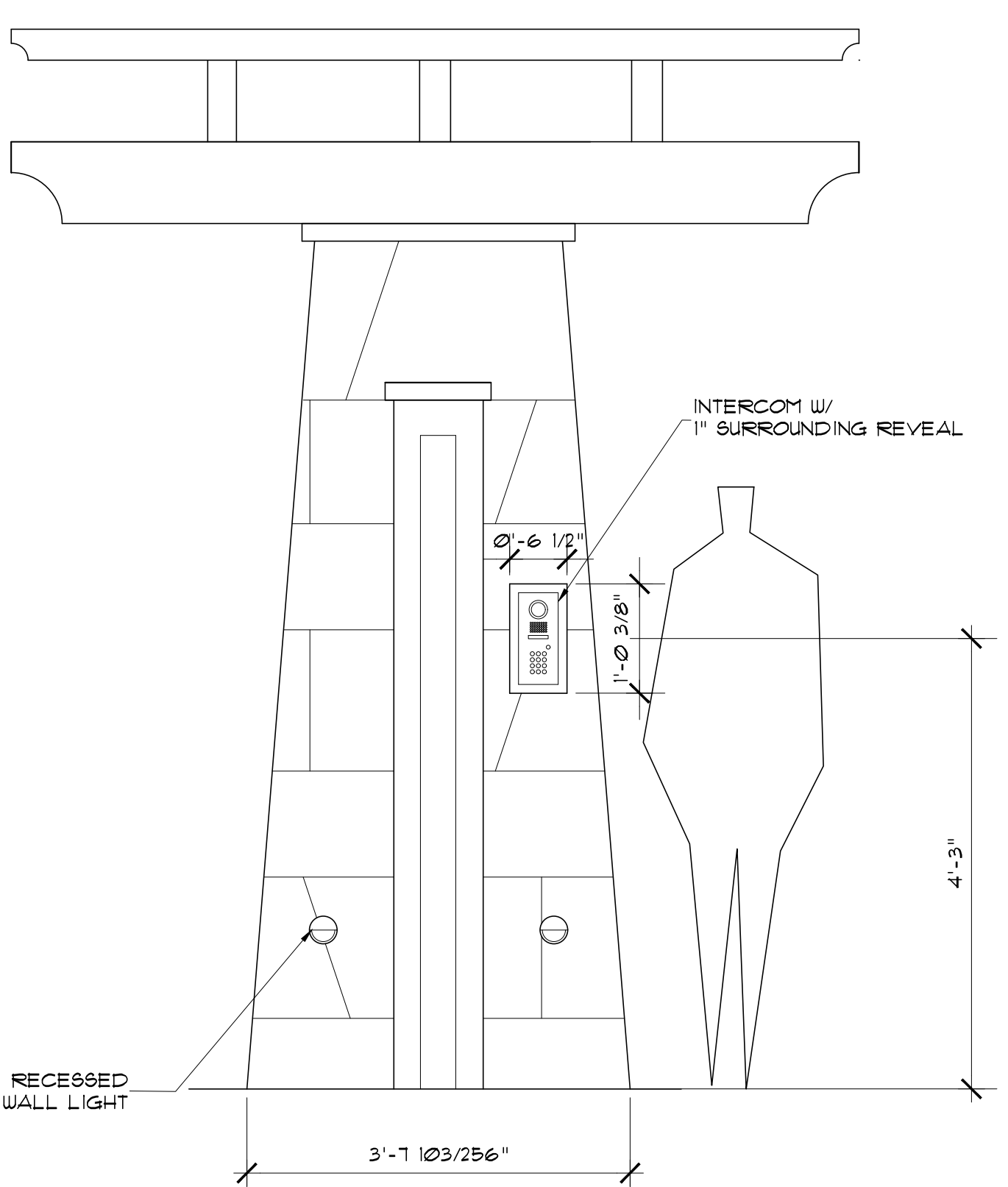
2 NORTH ELEVATION
SCALE: 1/4" = 1'-0"



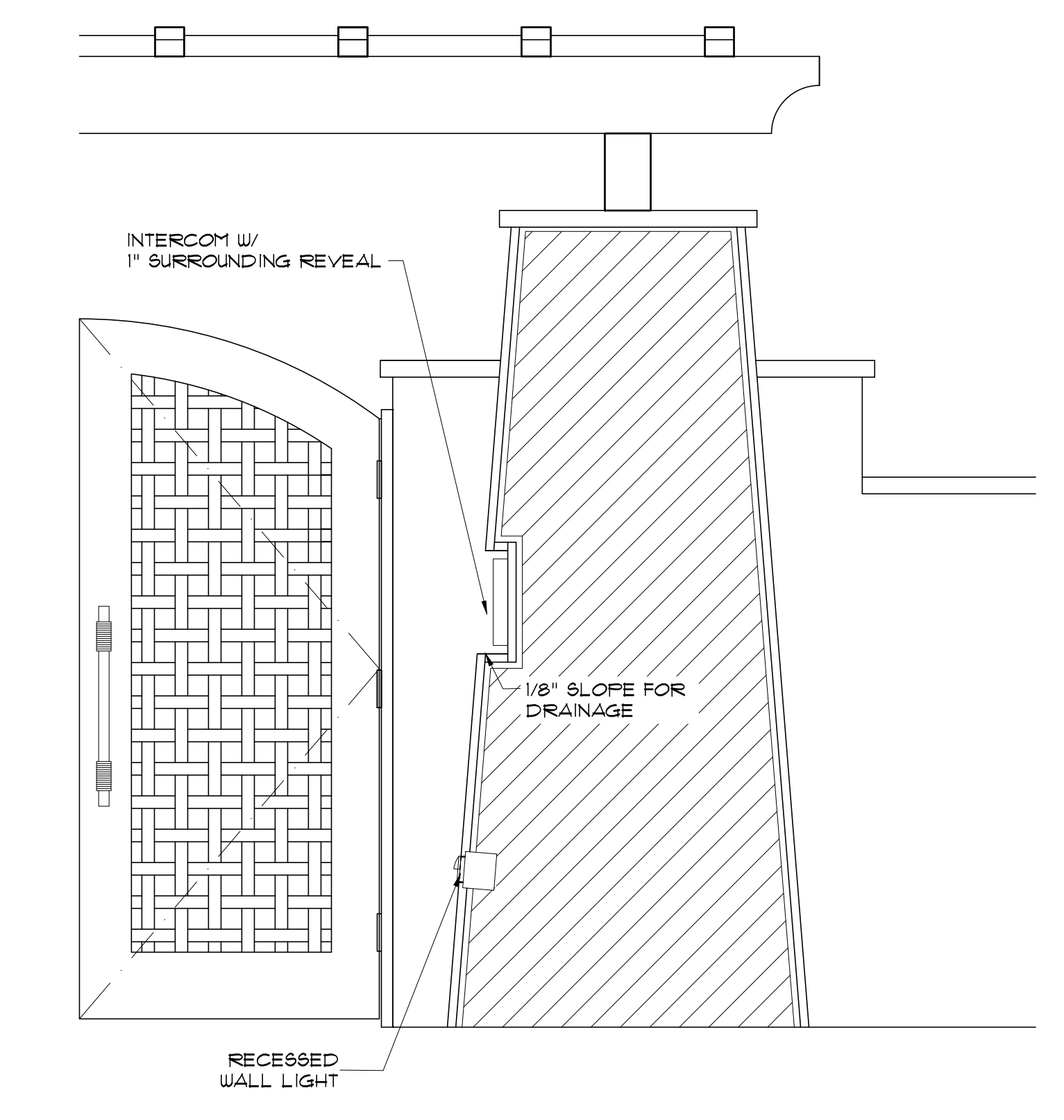
3 PLAN
SCALE: 1/4" = 1'-0"



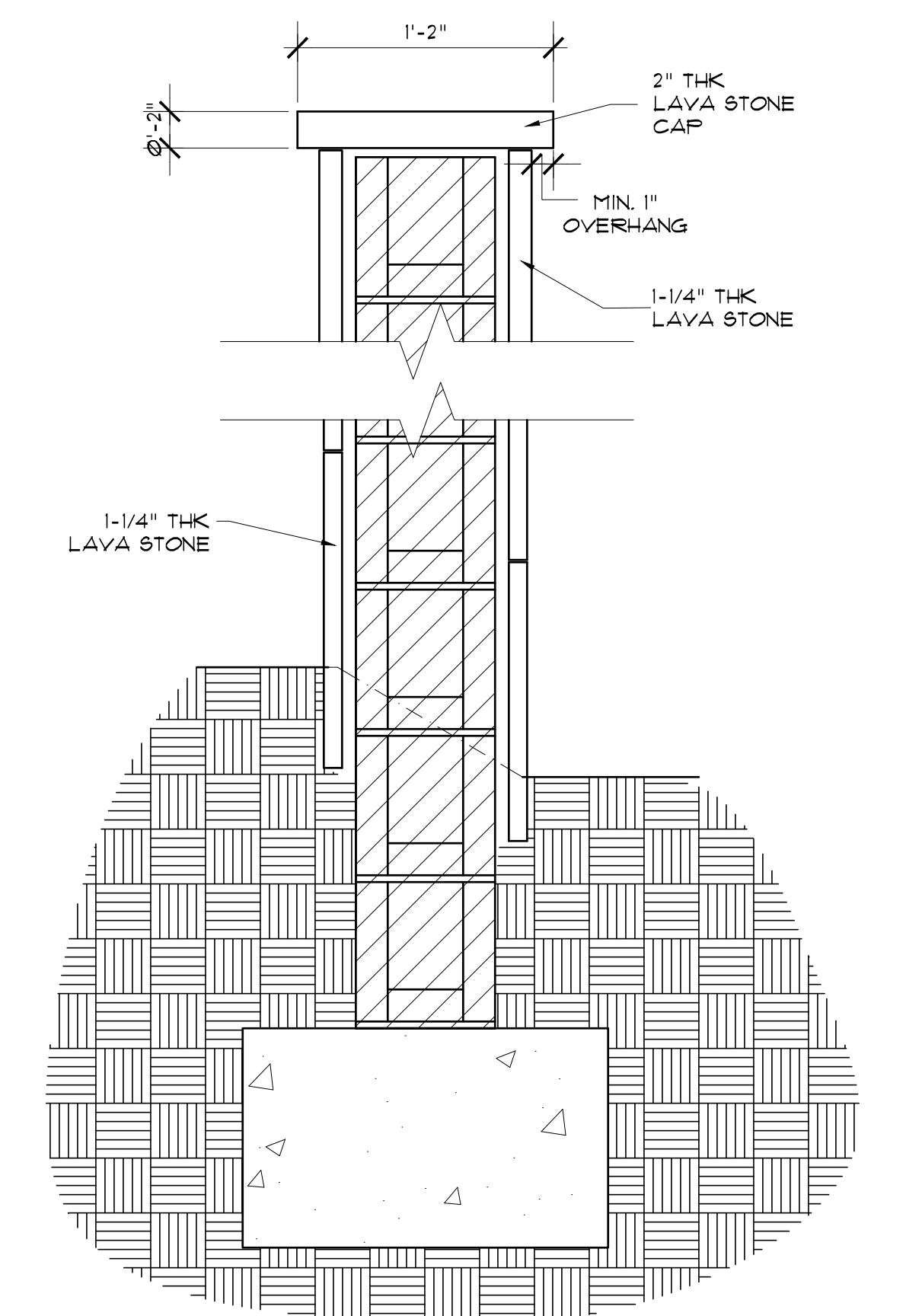
6 EAST ELEVATION
SCALE: 1/2" = 1'-0"



4 TAPERED COLUMN SECTION B
SCALE: 3/4" = 1'-0"



5 TAPERED COLUMN SECTION C
SCALE: 3/4" = 1'-0"



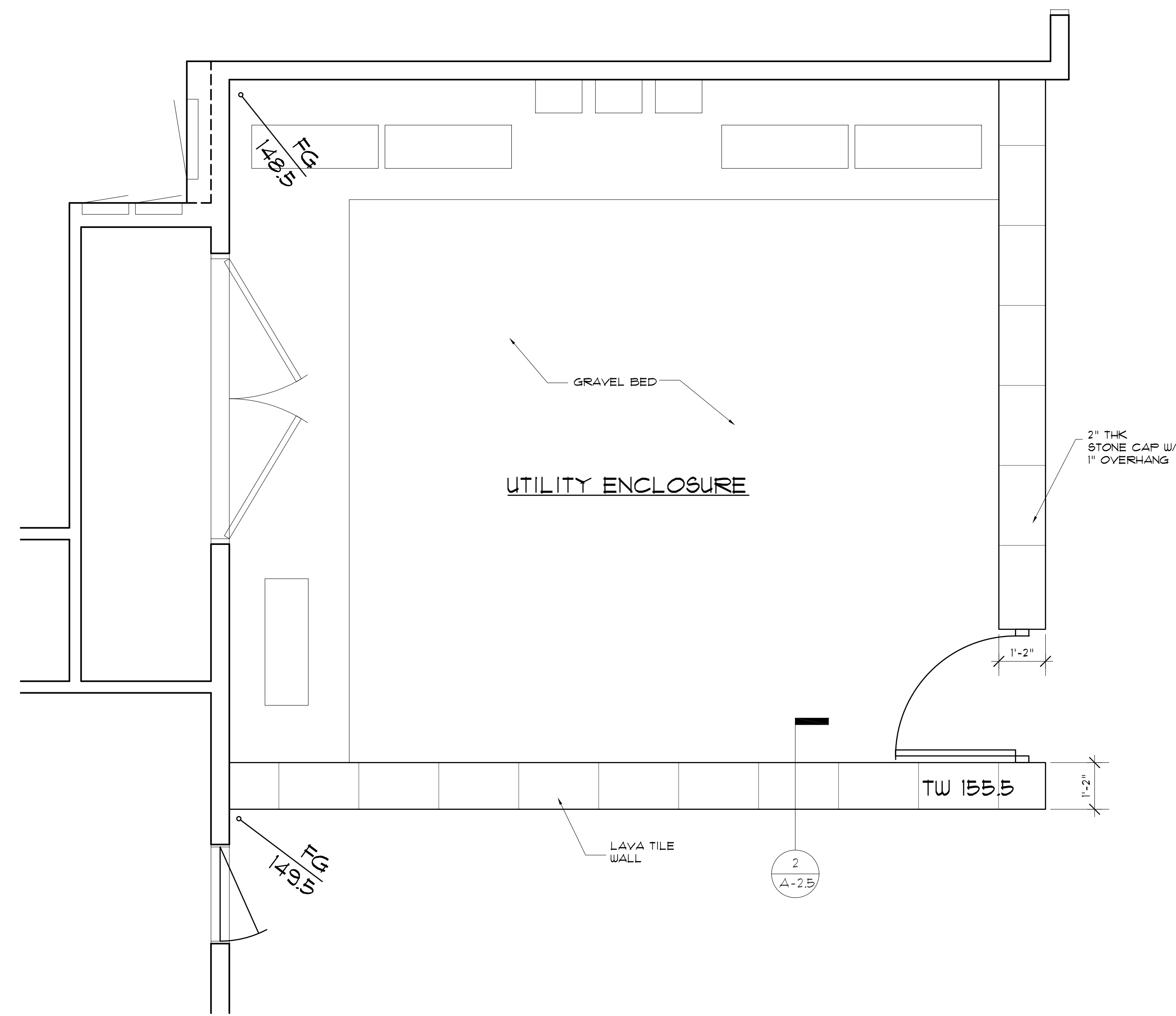
7 WALL SECTION
SCALE: 1/2" = 1'-0"

636 Launika St.
Honolulu, HI 96819
Tel: 808-842-4929
Web: nanhawaii.com

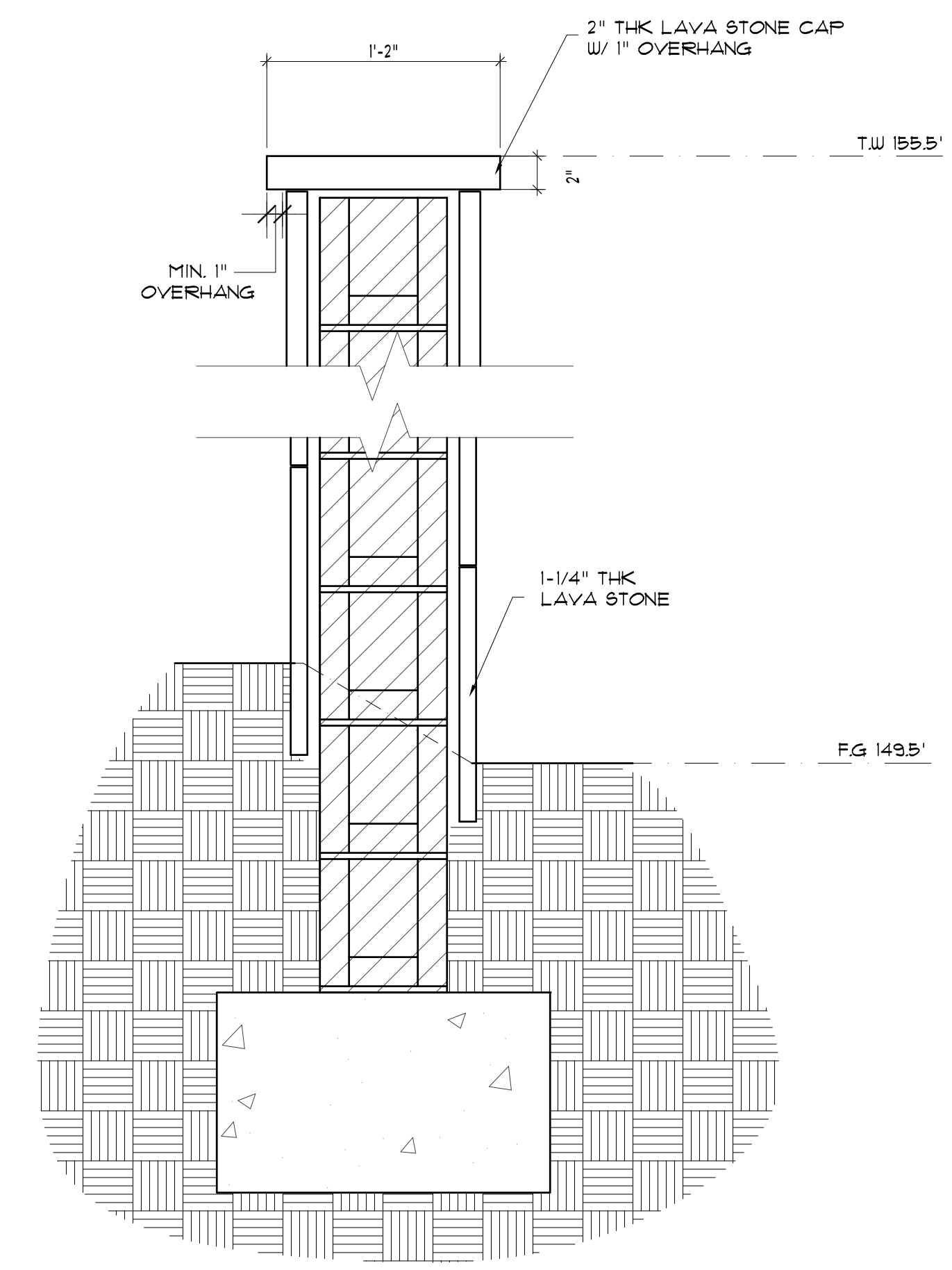
Nan Inc

Kapalua Mauka Mahana Estates - Lot 1
Kapalua, Maui, Hawaii
ENTRY GATE WALL

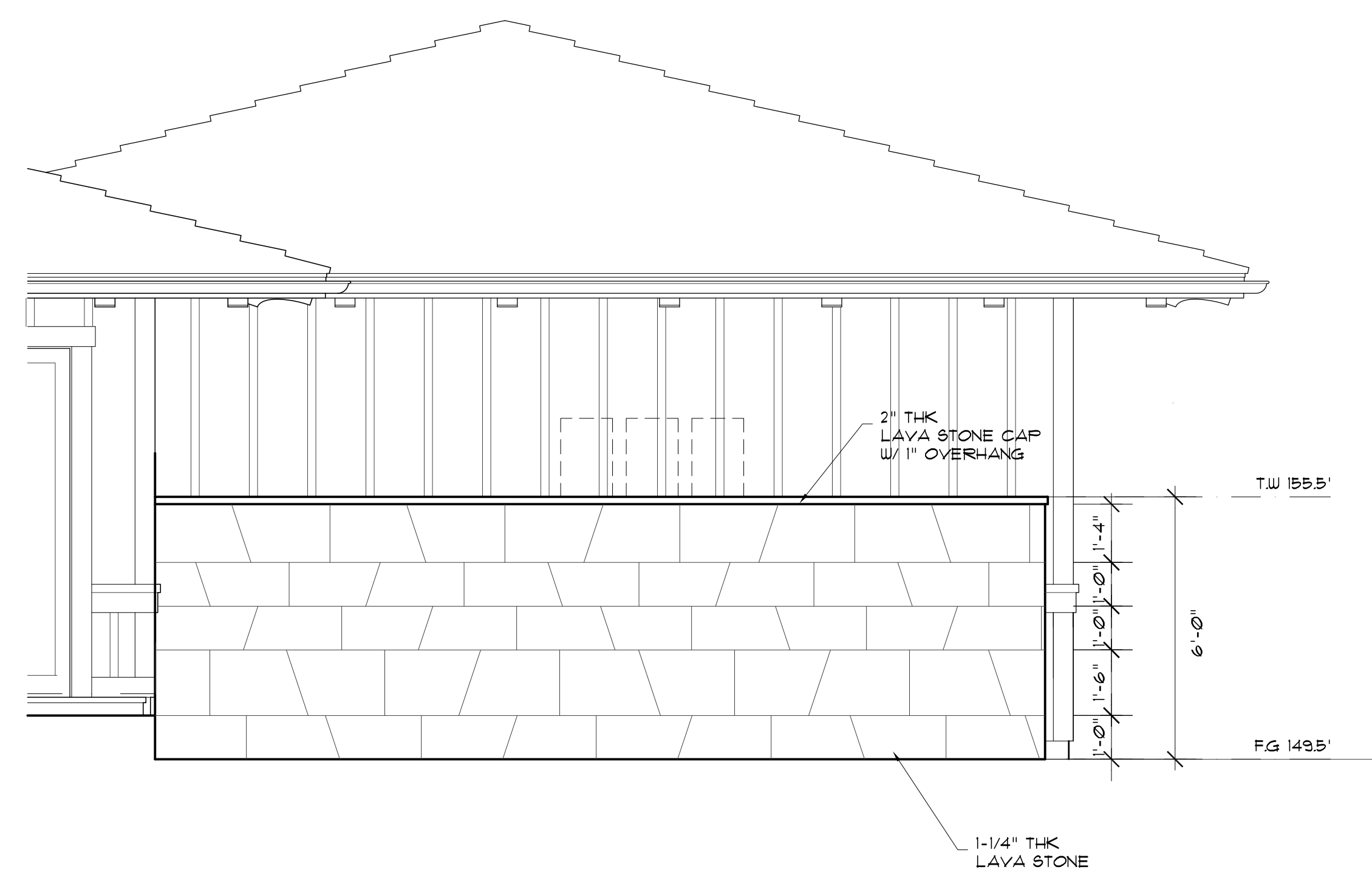
REVISIONS:
01/20/24
02/15/24
03/05/24
03/15/24
03/25/24
SHEET - OF -
A-2.4
DATE: -



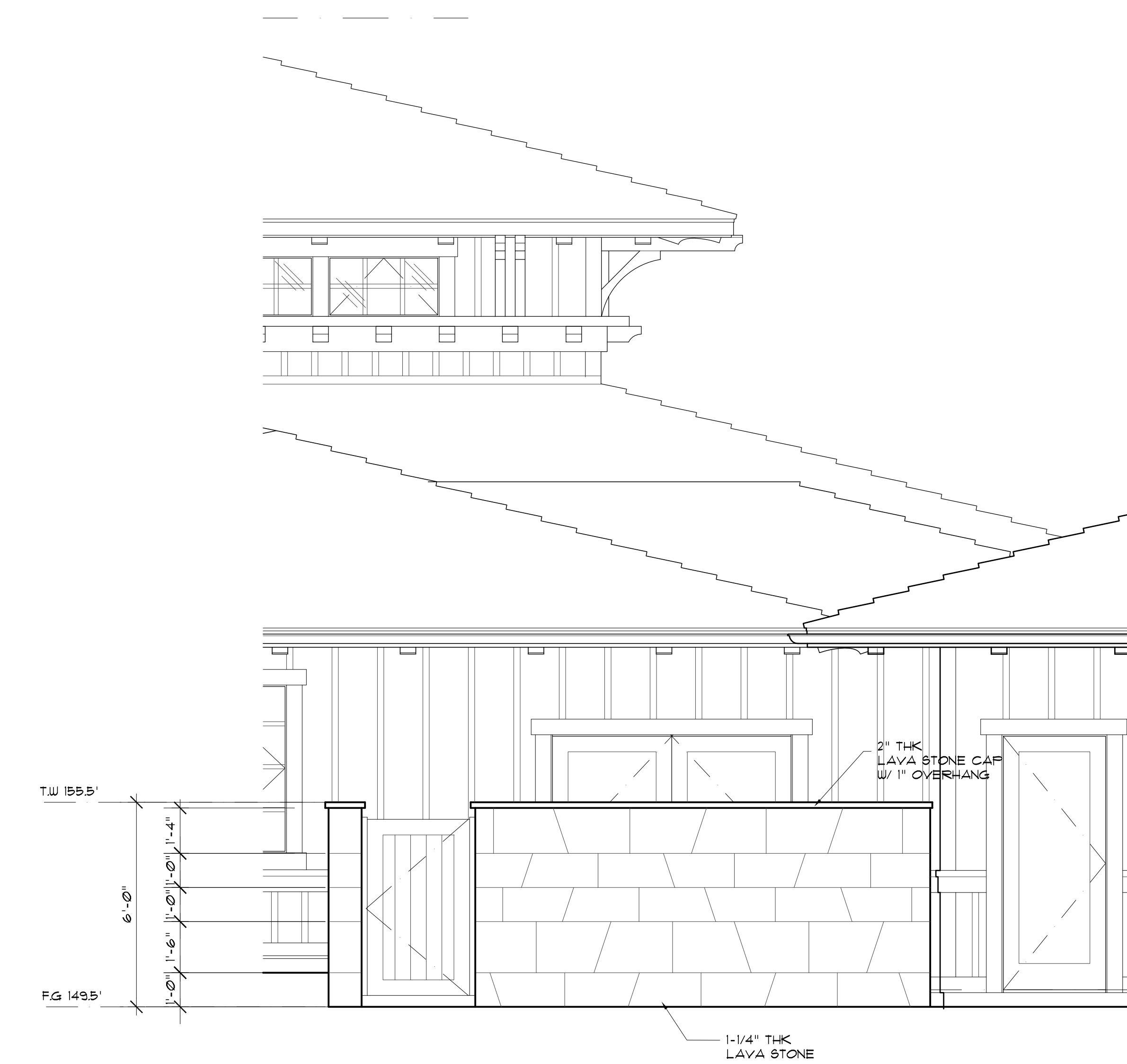
1 PLAN
SCALE: 1/2" = 1'-0"
PROJECT NORTH



2 WALL SECTION
SCALE: 1-1/2" = 1'-0"



3 WEST ELEVATION
SCALE: 3/8" = 1'-0"



4 SOUTH ELEVATION
SCALE: 3/8" = 1'-0"

636 Launika St.
Honolulu, HI 96819
Tel: 808-842-9929
Web: nanahawaii.com

Nan Inc

Kapalua Mauka Mahana Estates - Lot 1

Kapalua, Maui, Hawaii
UTILITY ENCLOSURE WALL

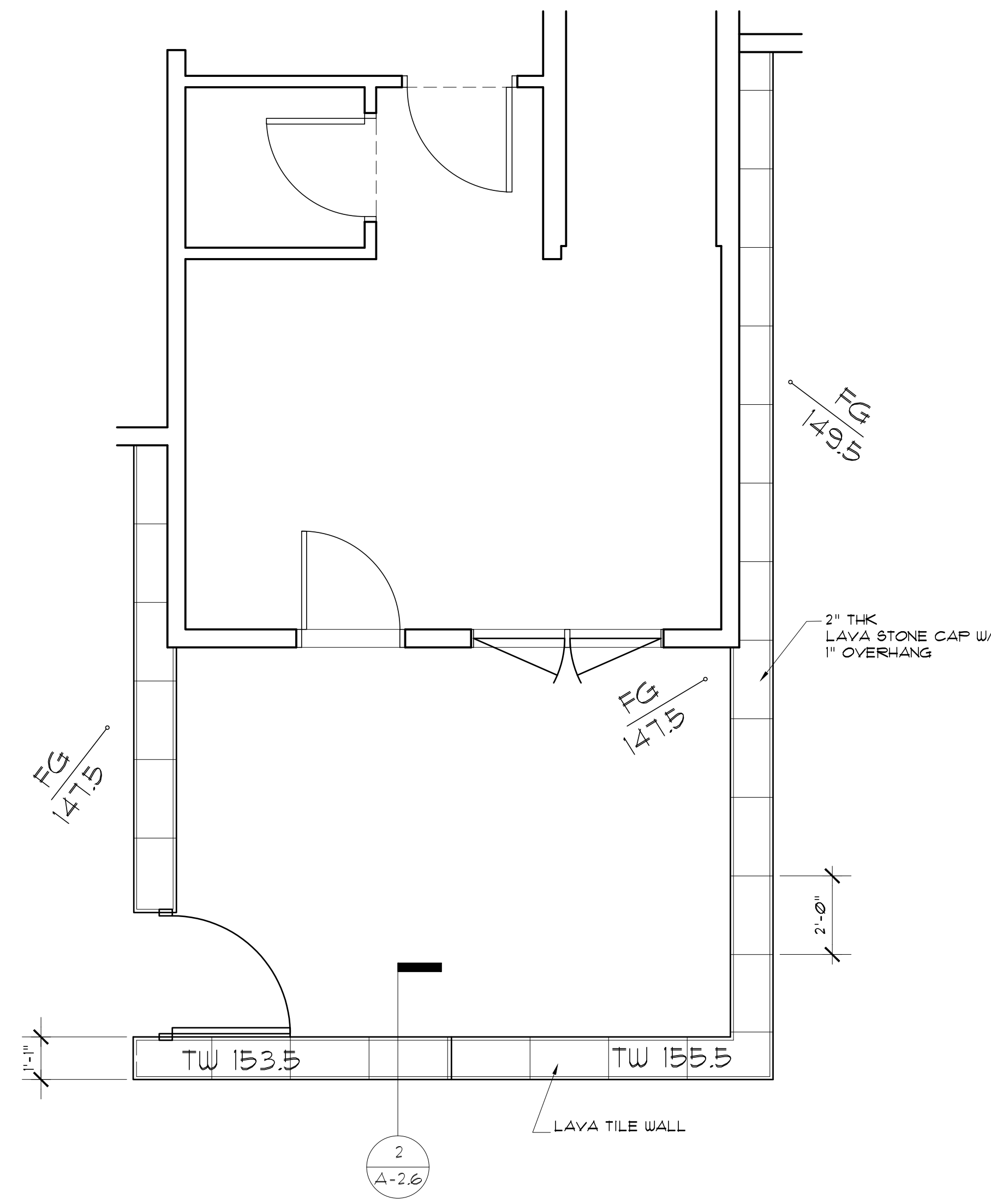
REVISIONS:

01/26/2014	01/26/2014
02/03/2018	02/03/2018
07/13/2018	07/13/2018
09/25/2018	09/25/2018

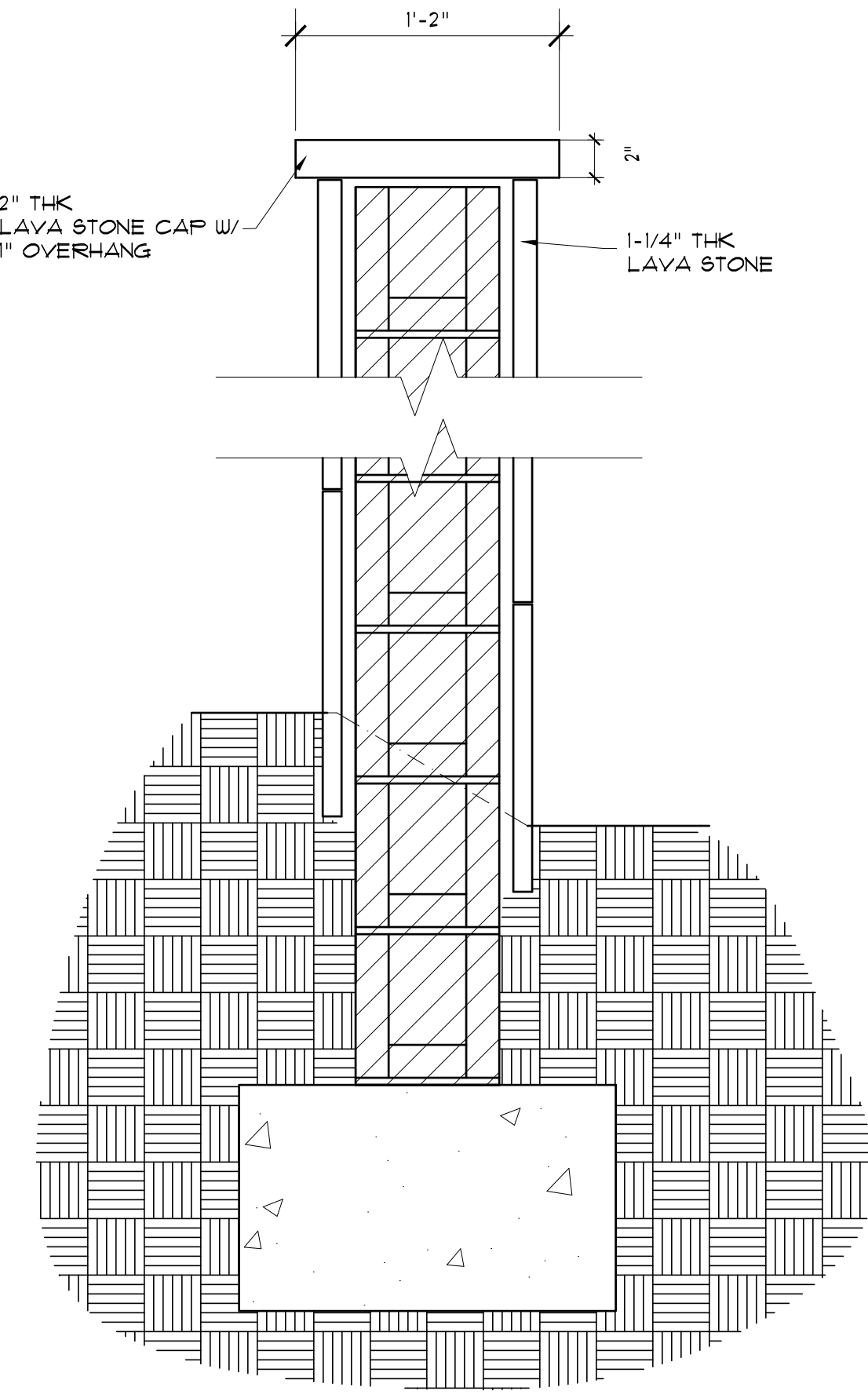
SHEET - OF -

A-25

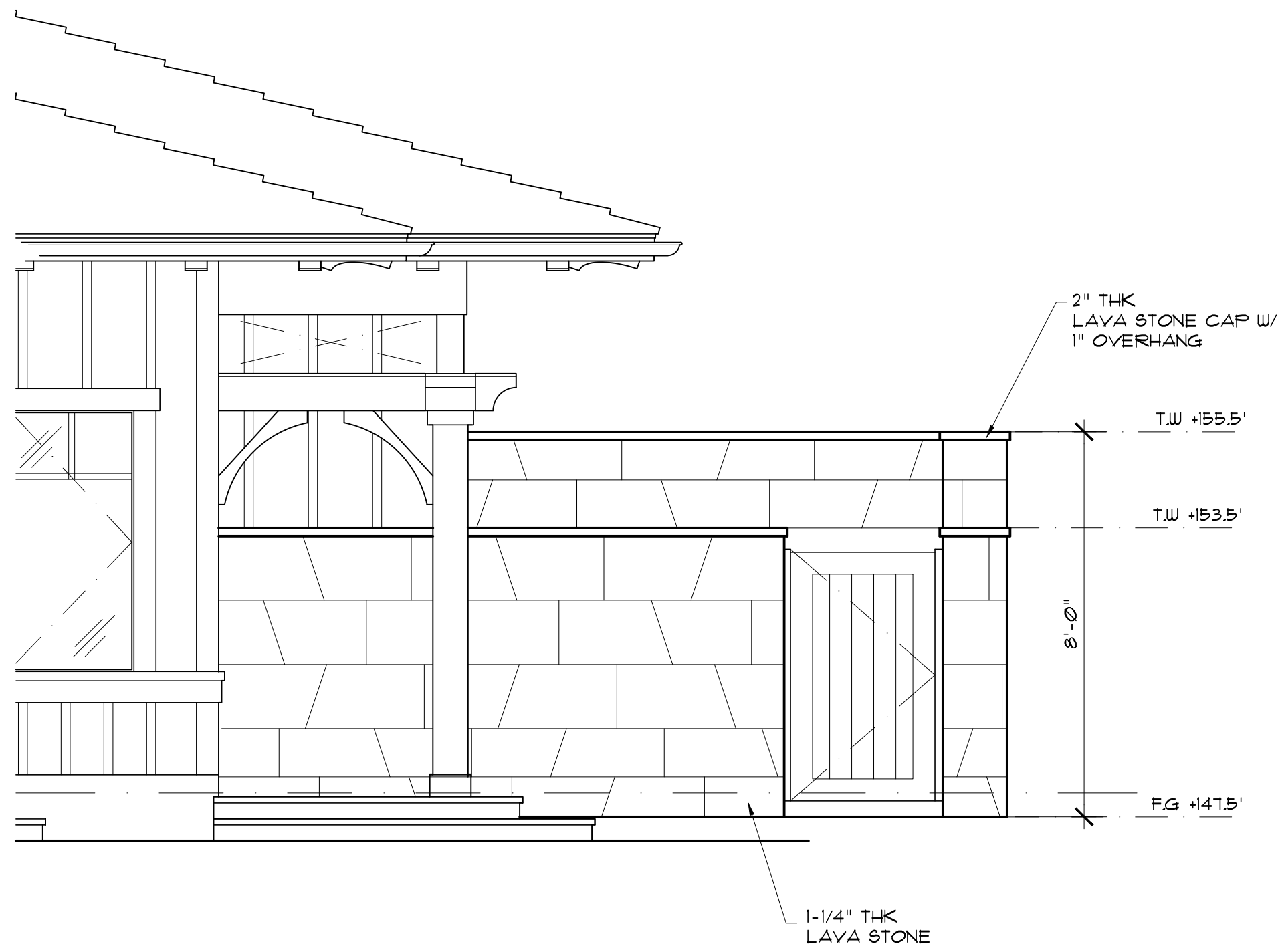
DATE: -



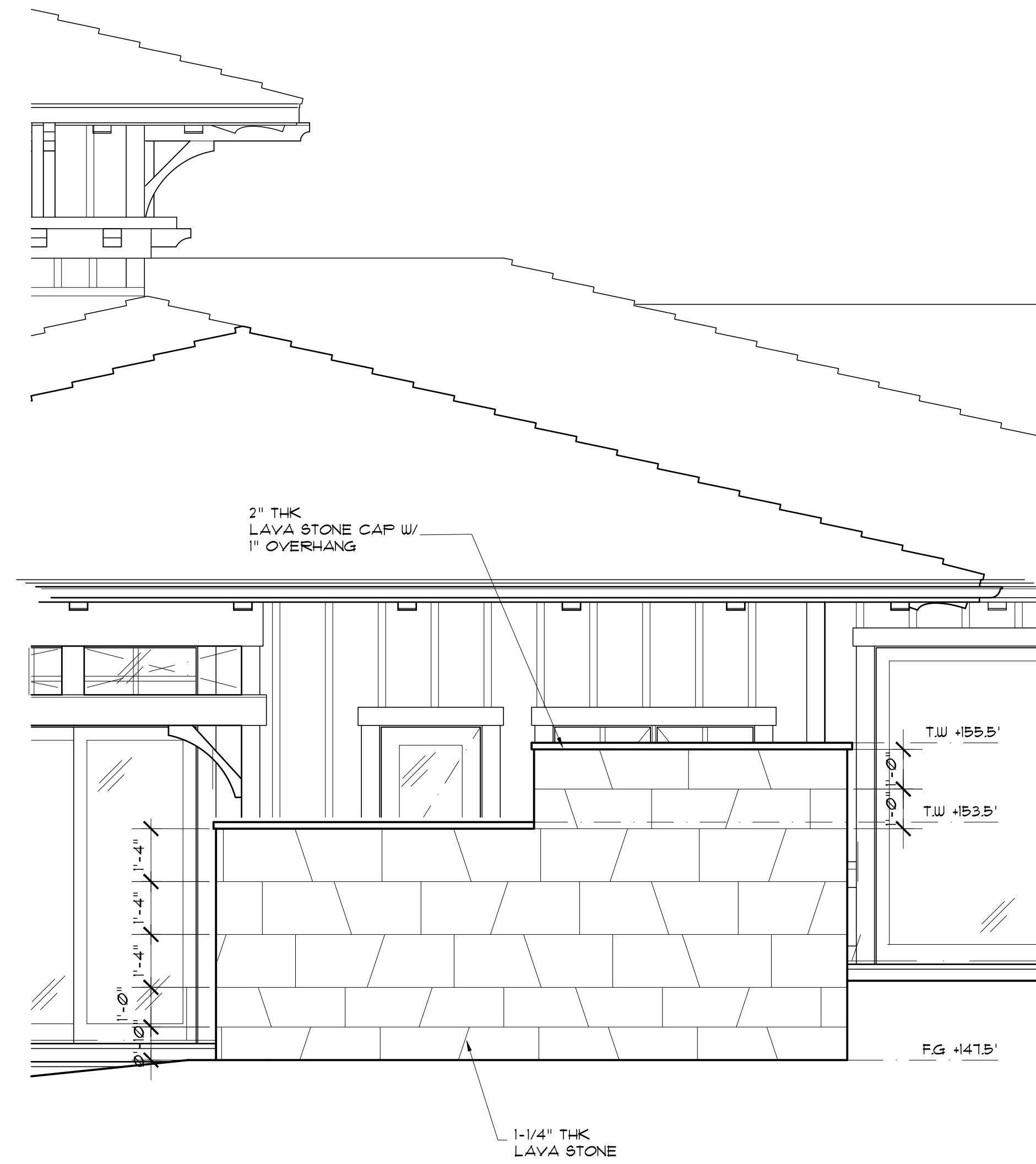
1 PLAN
SCALE: 3/8" = 1'-0"



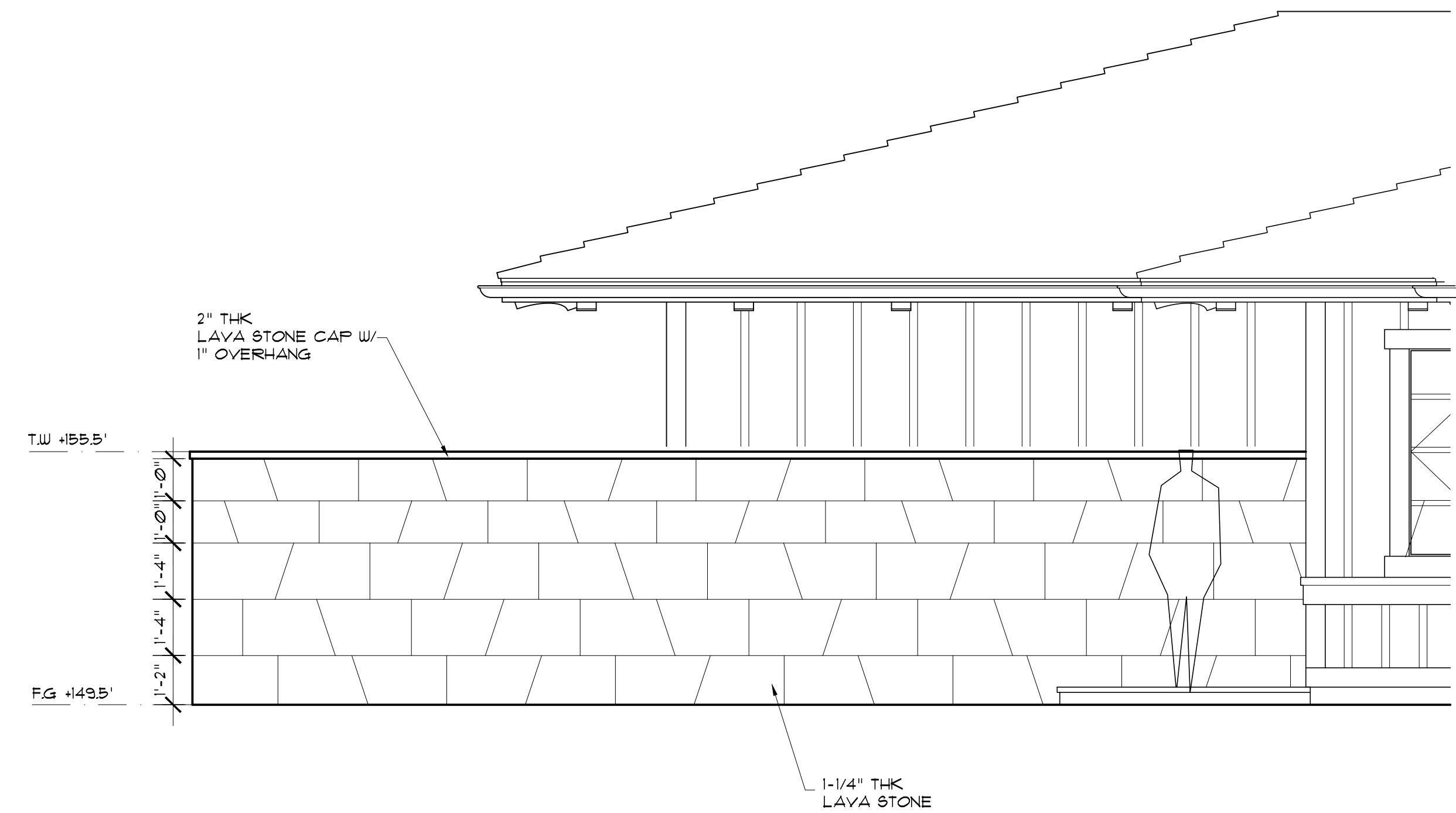
2 WALL SECTION
SCALE: 1-1/2" = 1'-0"



3 NORTH ELEVATION
SCALE: 3/8" = 1'-0"



4 WEST ELEVATION
SCALE: 3/8" = 1'-0"



5 SOUTH ELEVATION
SCALE: 3/8" = 1'-0"

636 Launika St.
Honolulu, HI 96819
Tel: 808-842-9929
Web: nanhawaii.com

Nan Inc

Kapalua Mauka Mahana Estates - Lot 1

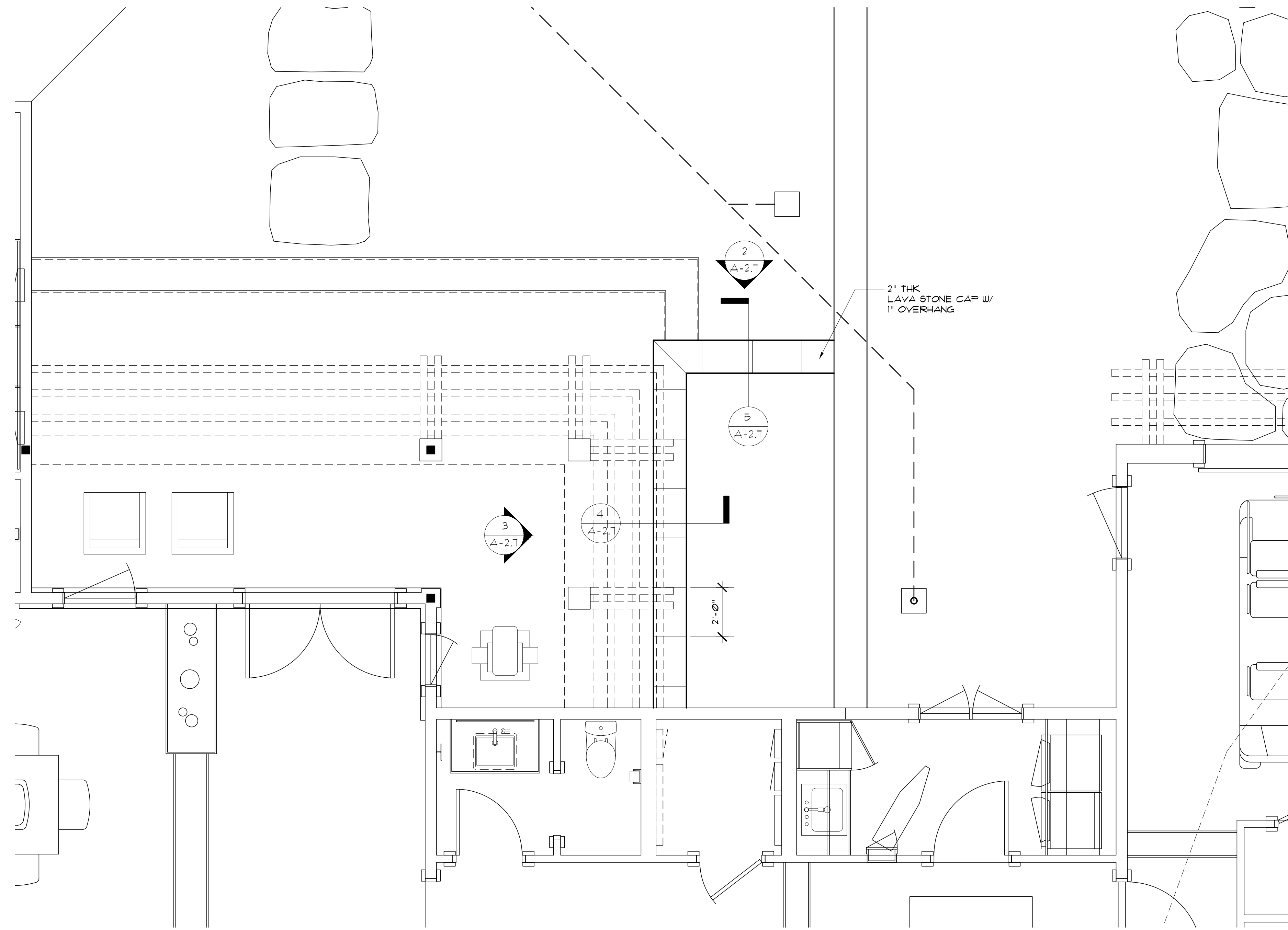
Kapalua, Maui, Hawaii
PRIVACY GARDEN WALL

REVISIONS:
09/06/2014
01/15/2014
04/02/2018
07/13/2018
09/15/2018

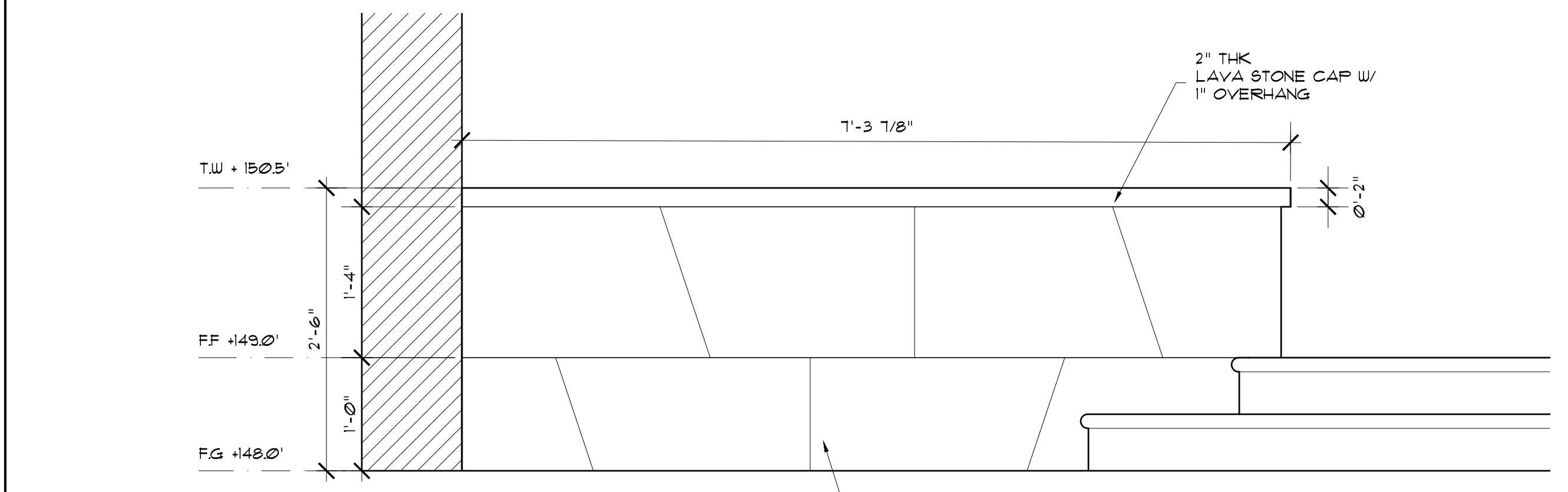
SHEET - OF -

A-2.6

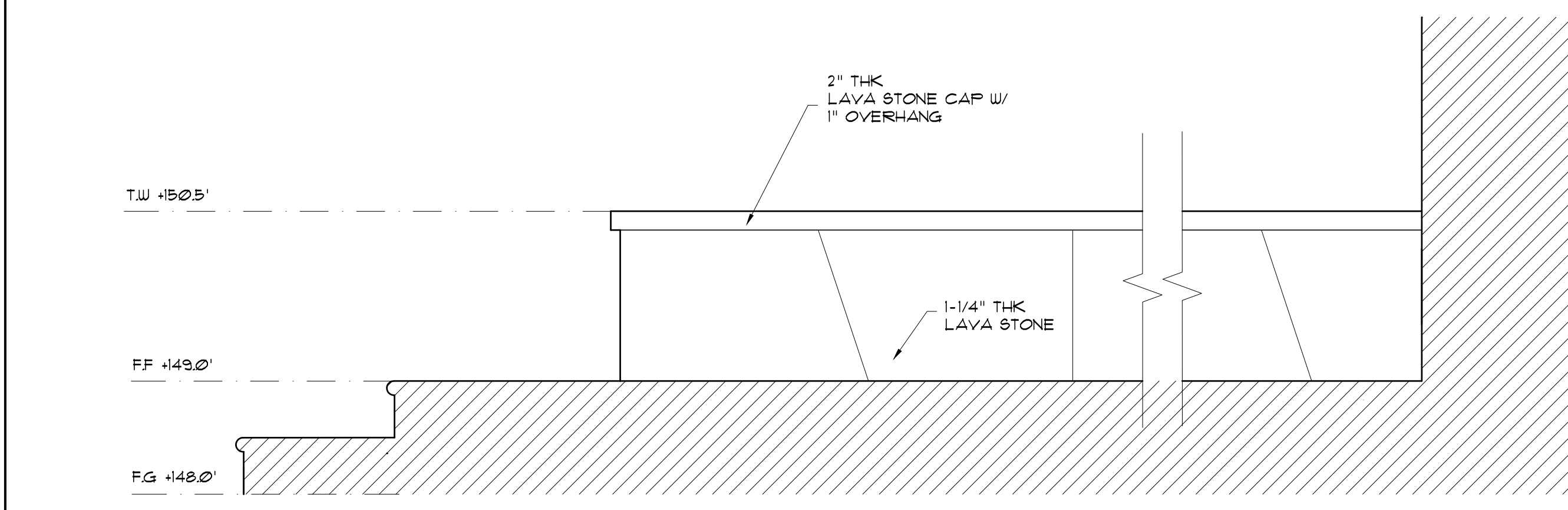
DATE: -



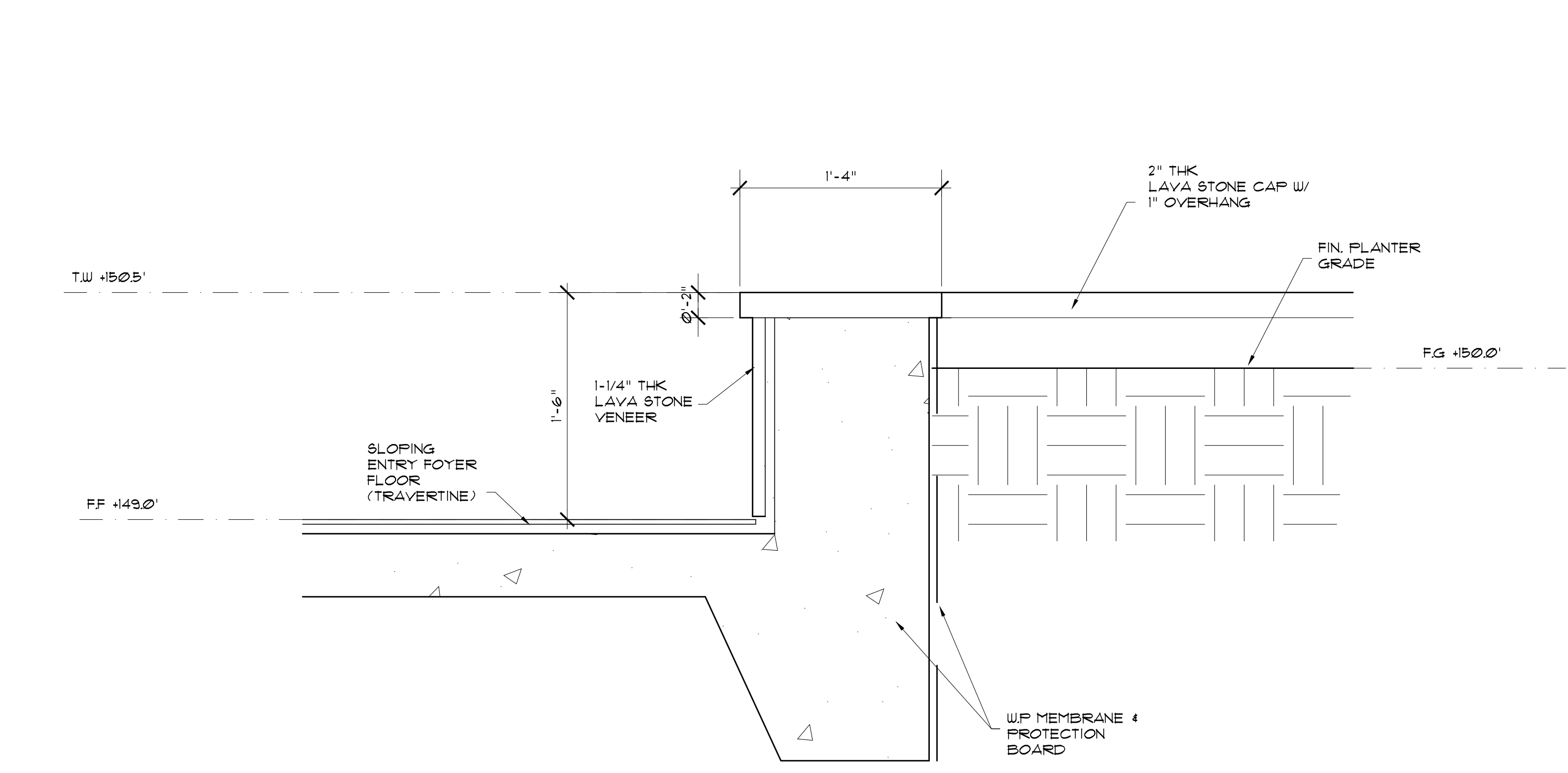
1 PLAN
SCALE: 3/8" = 1'-0"
PROJECT NORTH



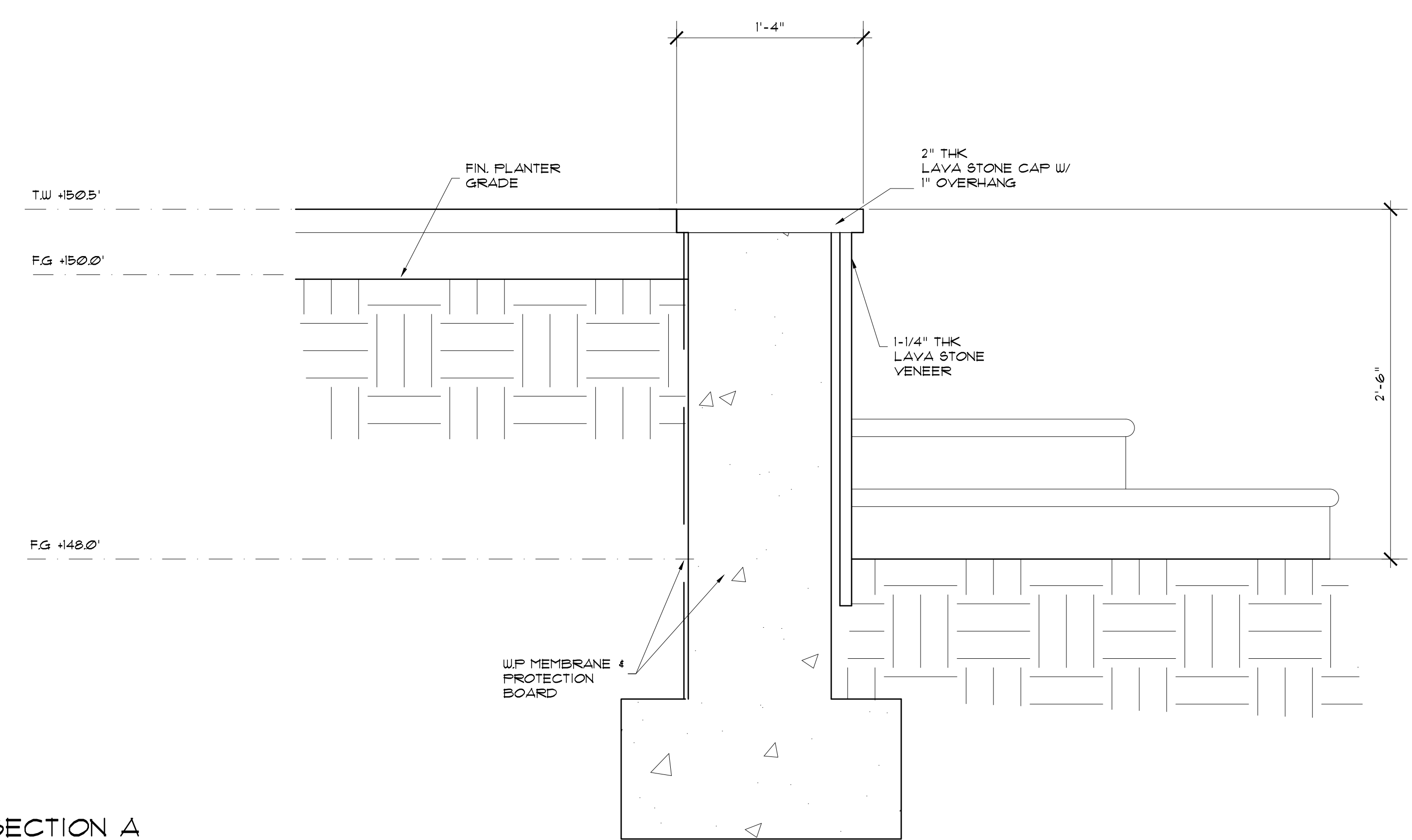
2 EAST ELEVATION
SCALE: 1" = 1'-0"



3 NORTH ELEVATION
SCALE: 1" = 1'-0"



4 SECTION B
SCALE: 1-1/2" = 1'-0"



5 SECTION A
SCALE: 1-1/2" = 1'-0"

636 Launika St.
Honolulu, HI 96819
Tel: 808-842-9929
Web: nanhawaii.com

Nan Inc

Kapalua Mauka Mahana Estates - Lot 1
Kapalua, Maui, Hawaii
FRONT ENTRANCE PLANTER

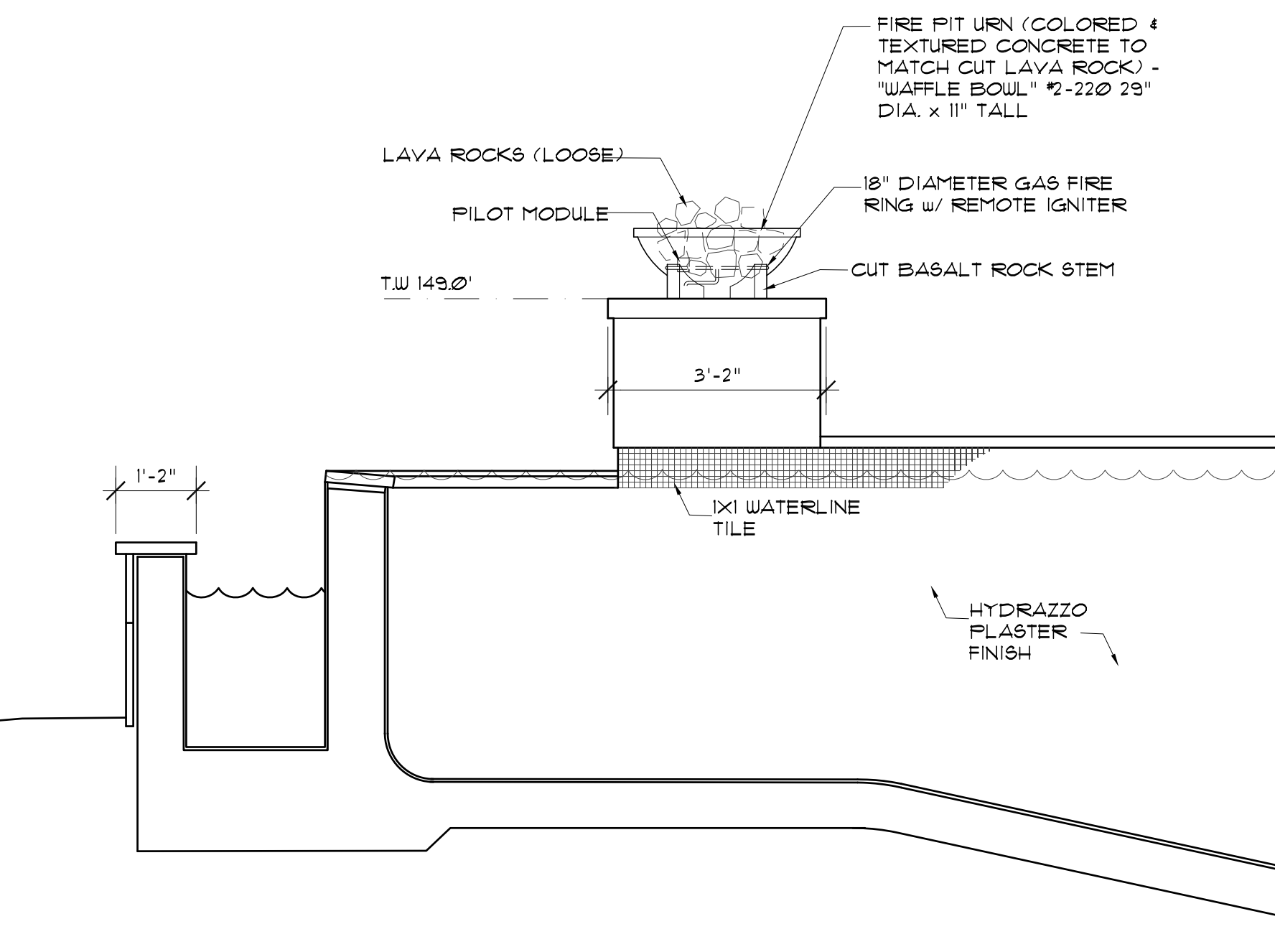
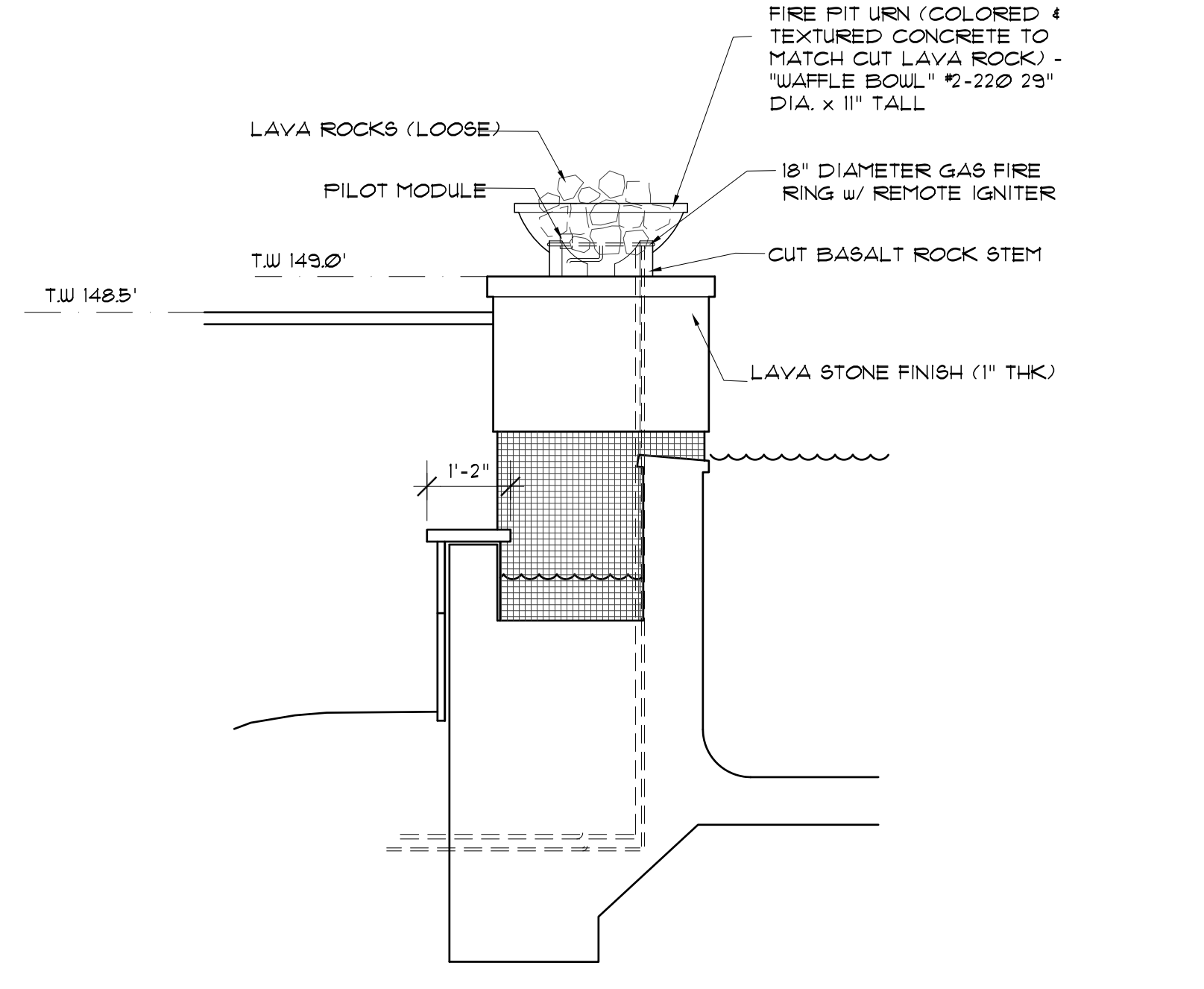
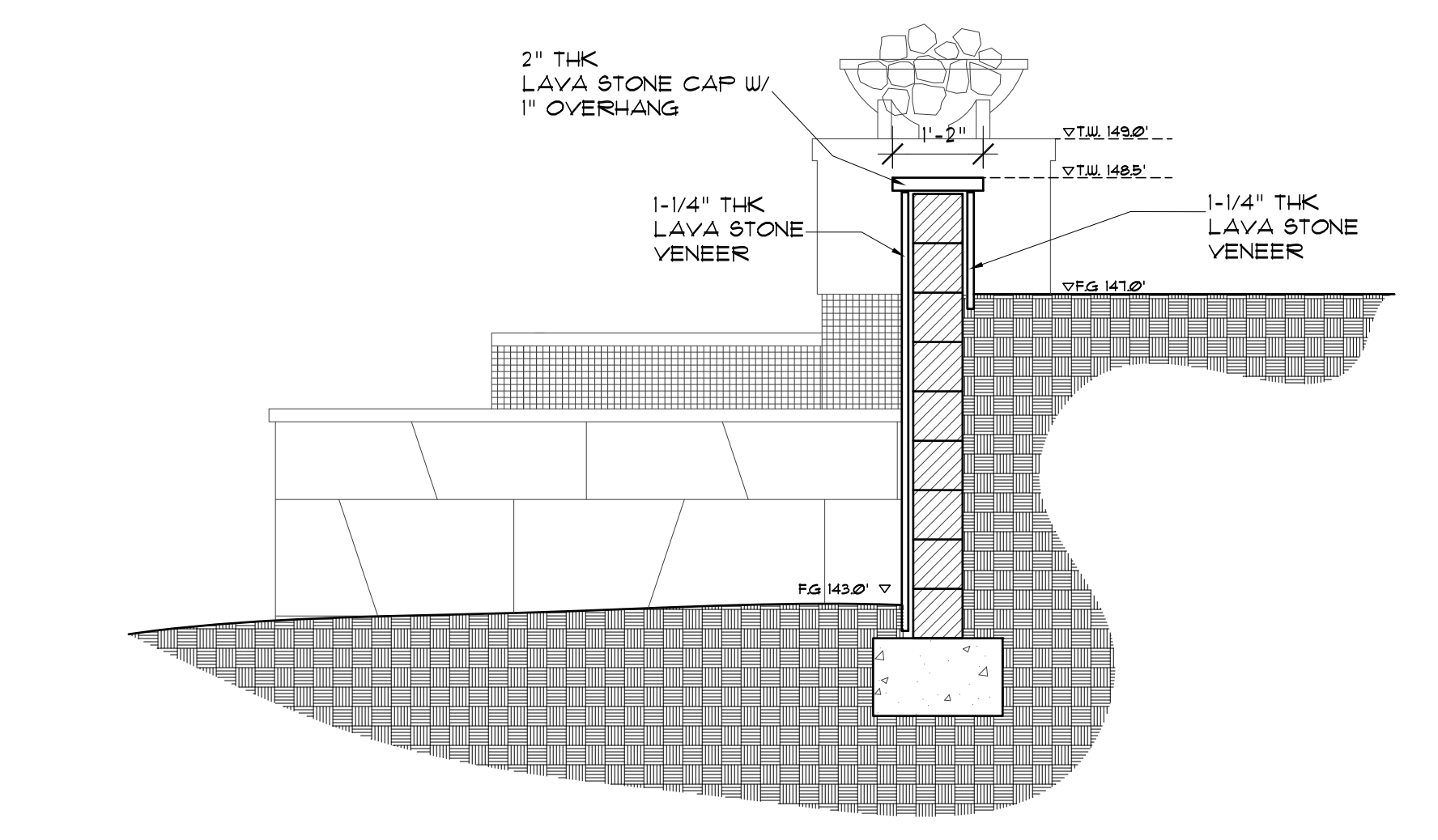
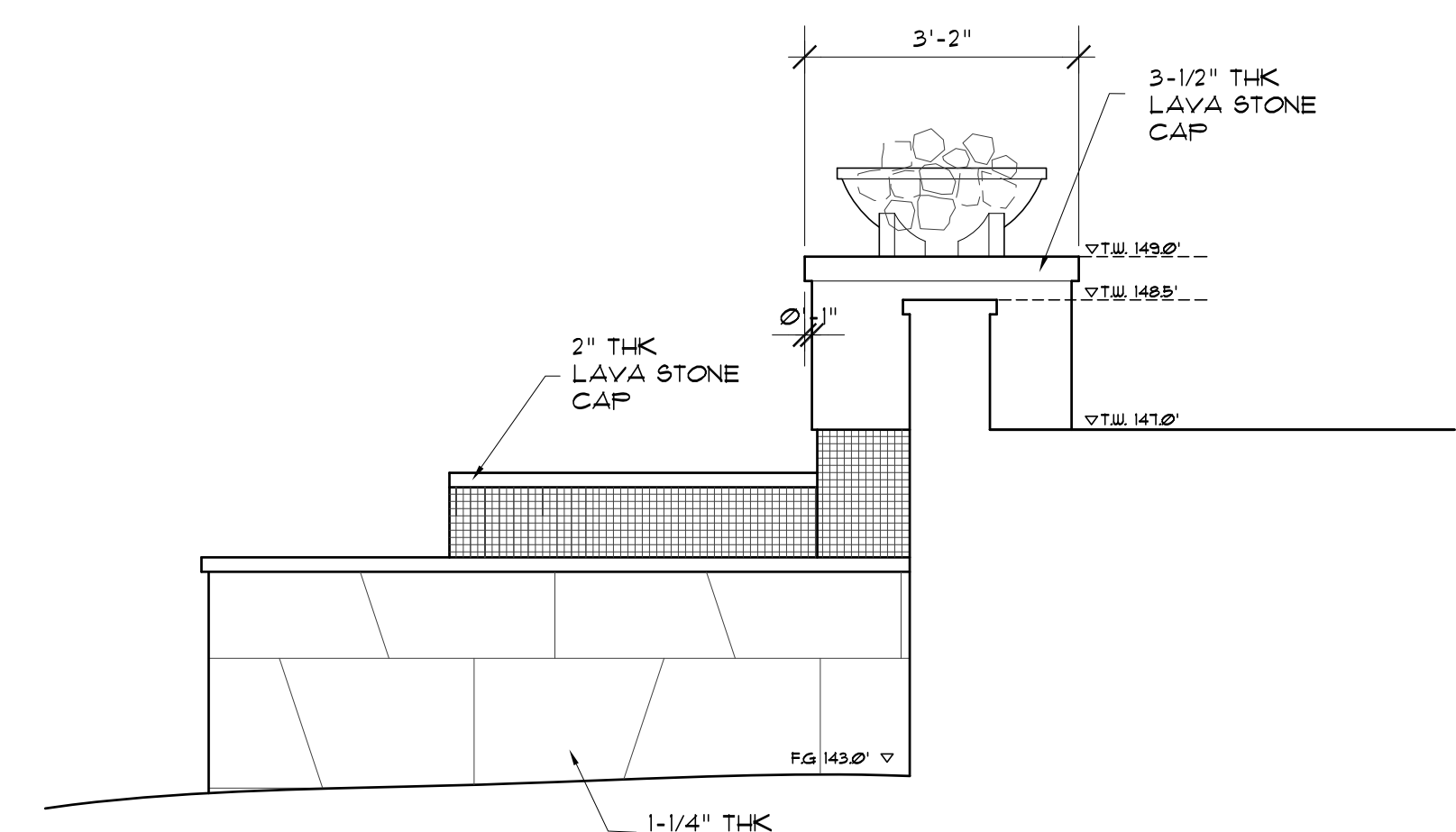
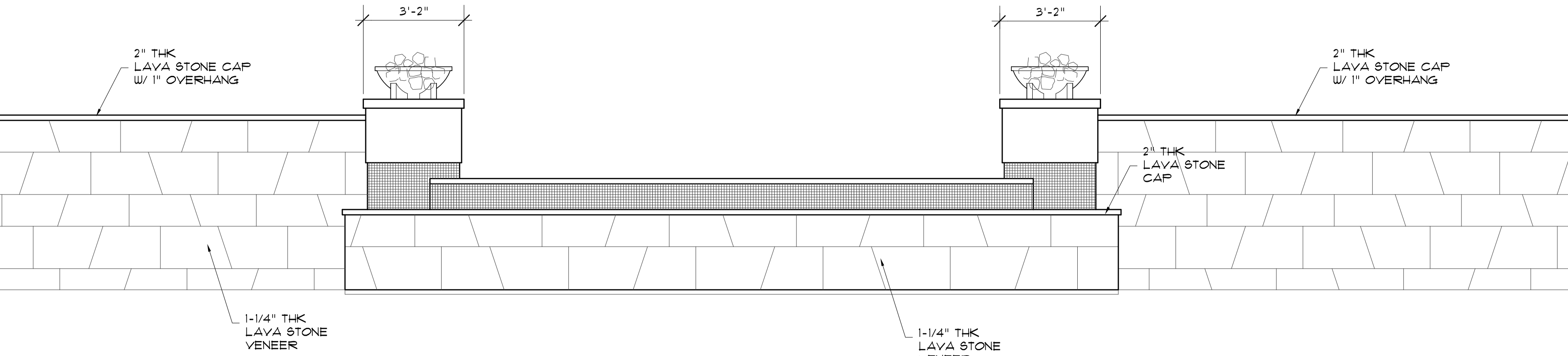
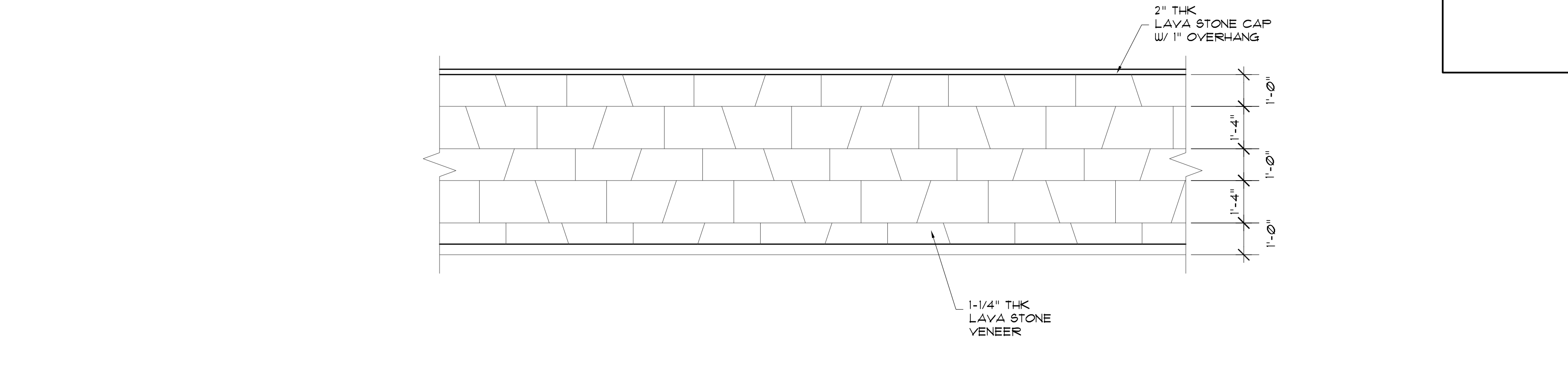
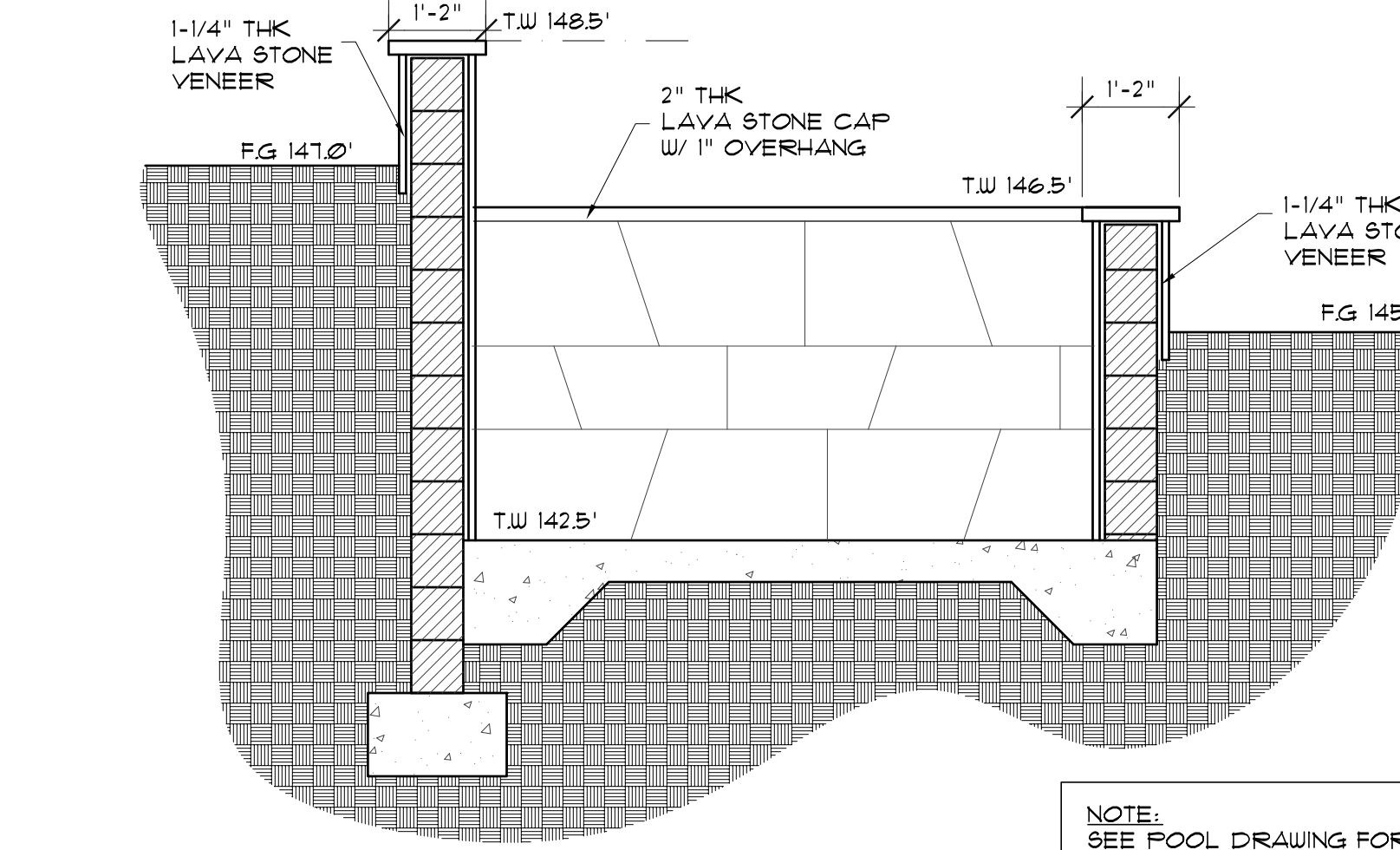
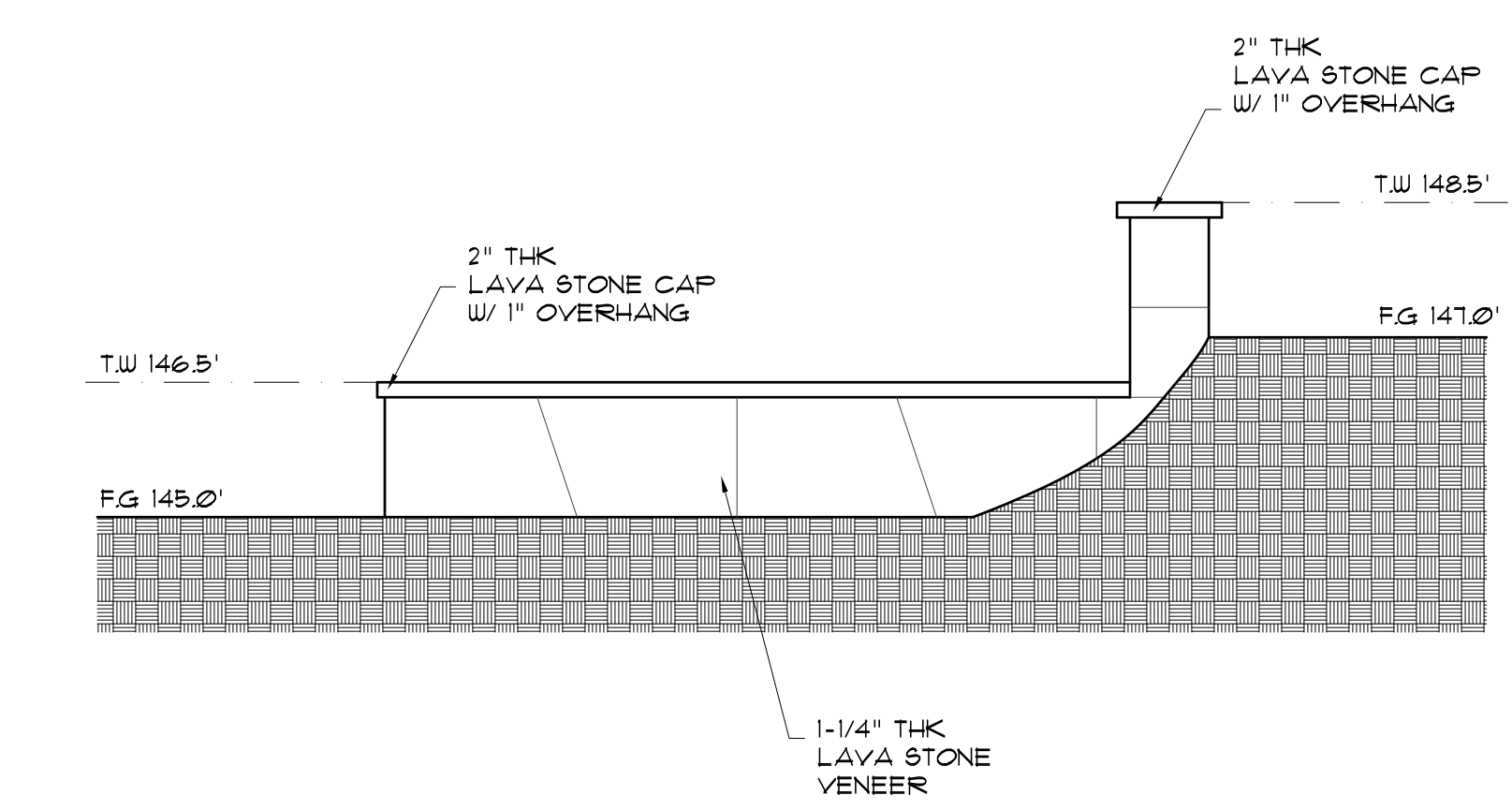
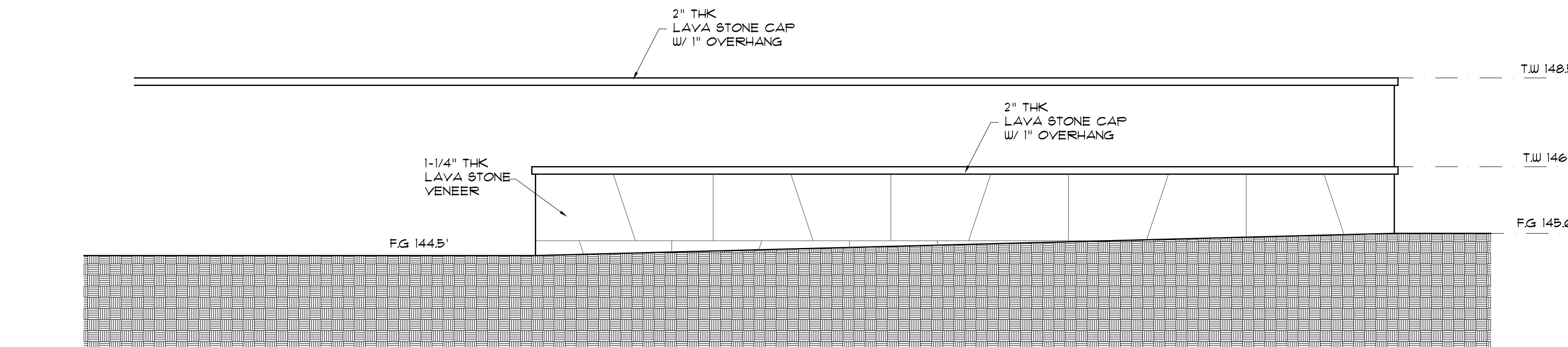
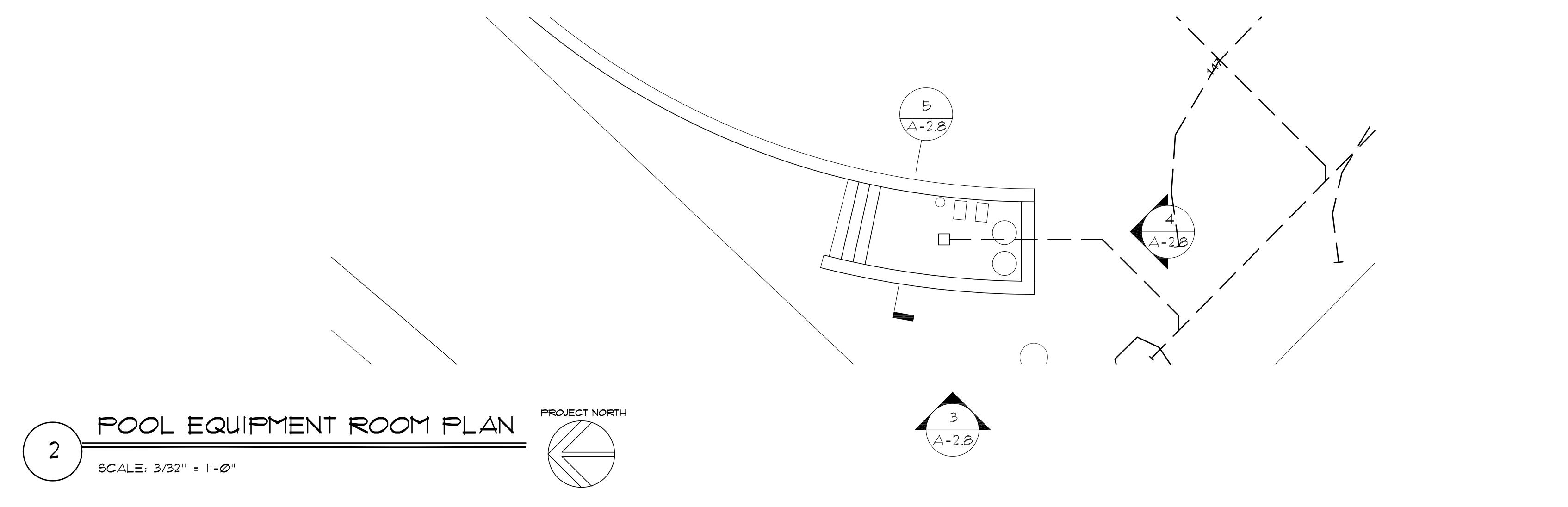
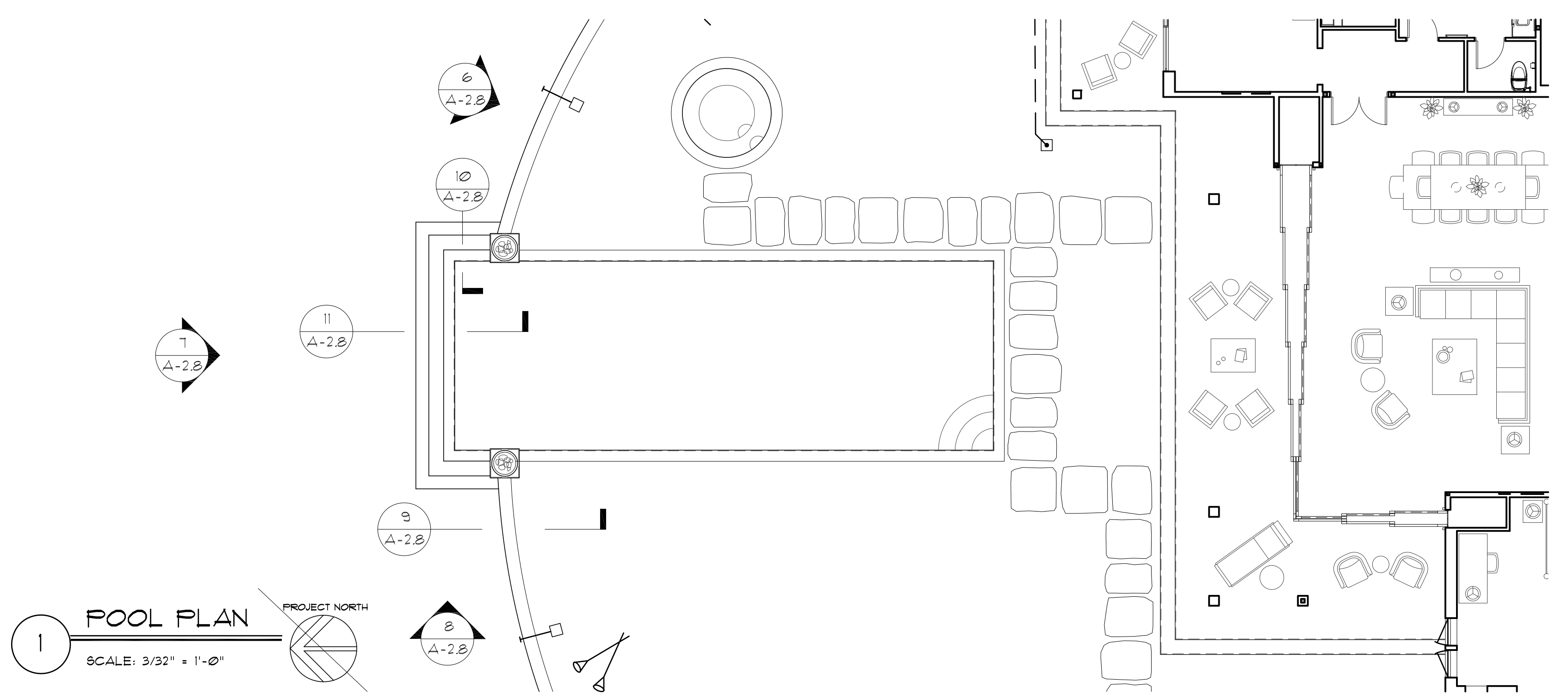
REVISIONS:

01/26/2014	
02/18/2014	
04/02/2014	
07/15/2014	
09/23/2014	

SHEET - OF -

A-2.1

DATE: -



NOTE:
SEE POOL DRAWING FOR
FAD CONSTRUCTION DETAIL

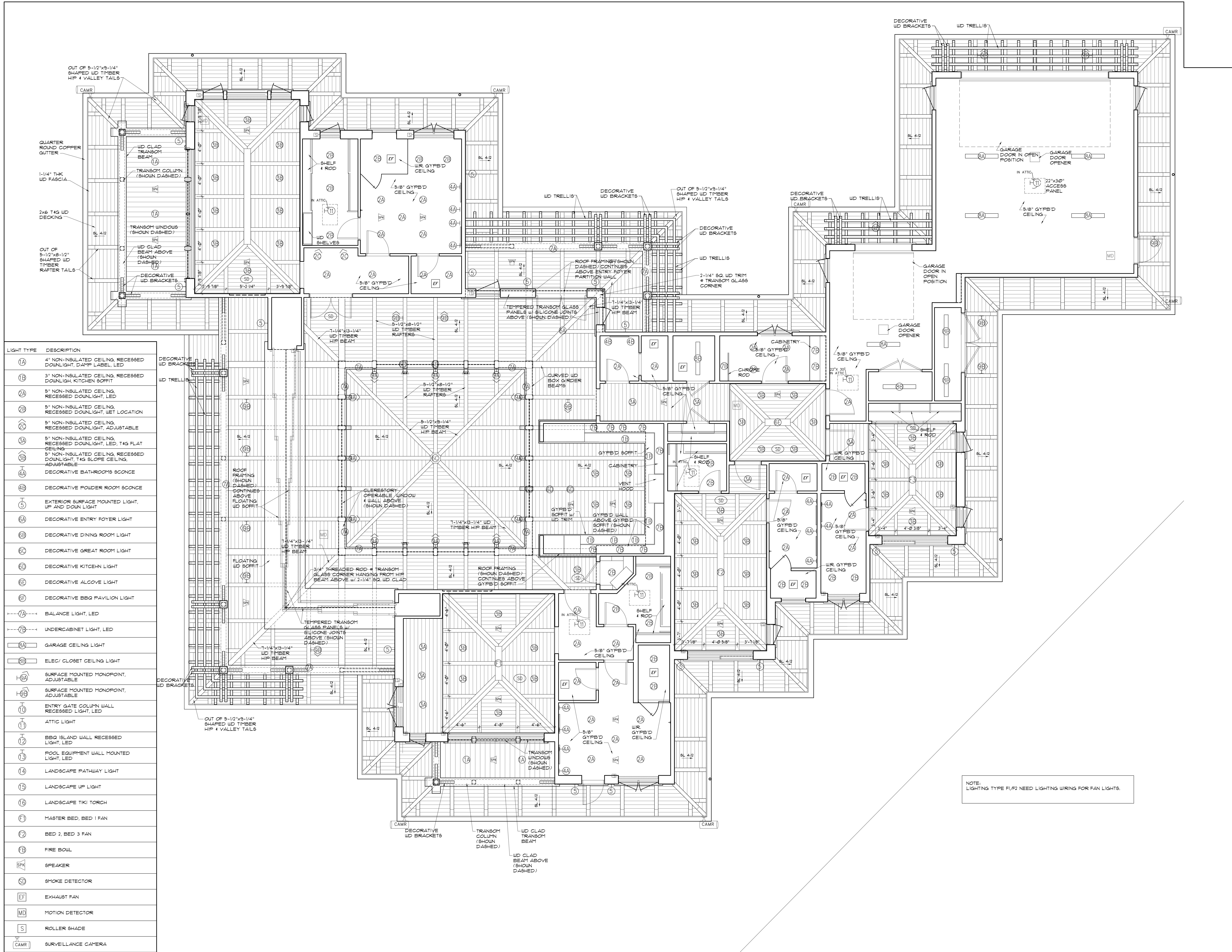
636 Launika St.
Honolulu, HI 96819
Tel: 808-842-9929
Web: nanhawaii.com

Nan Inc

Kapalua Mauka Mahana Estates - Lot 1
Kapalua, Maui, Hawaii
RETAINING WALL & POOL TROUGH

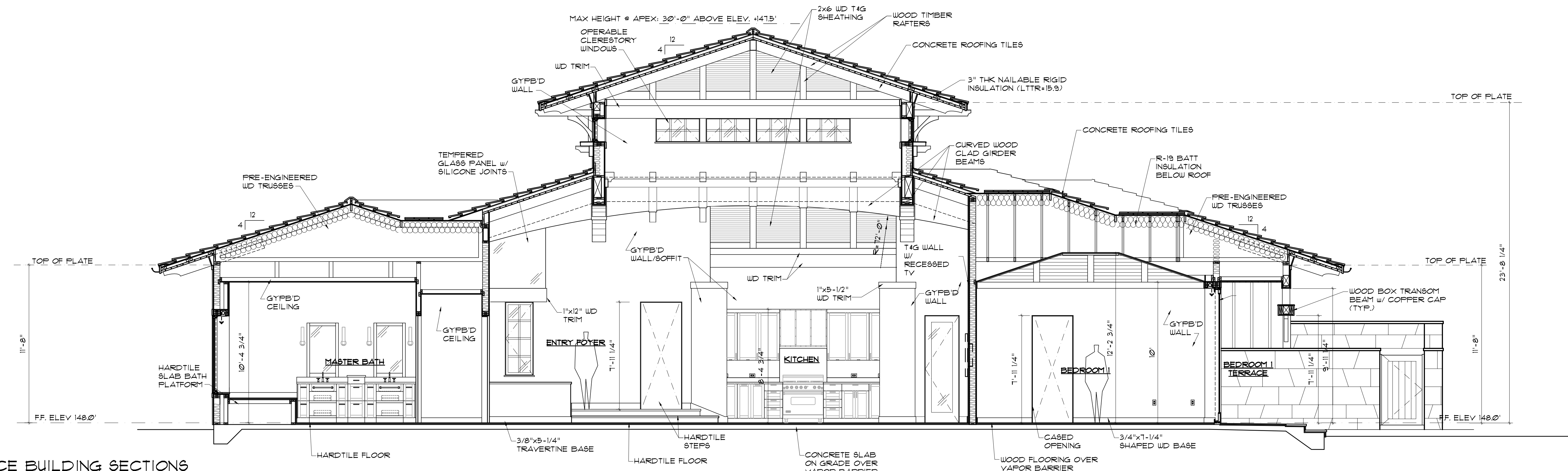
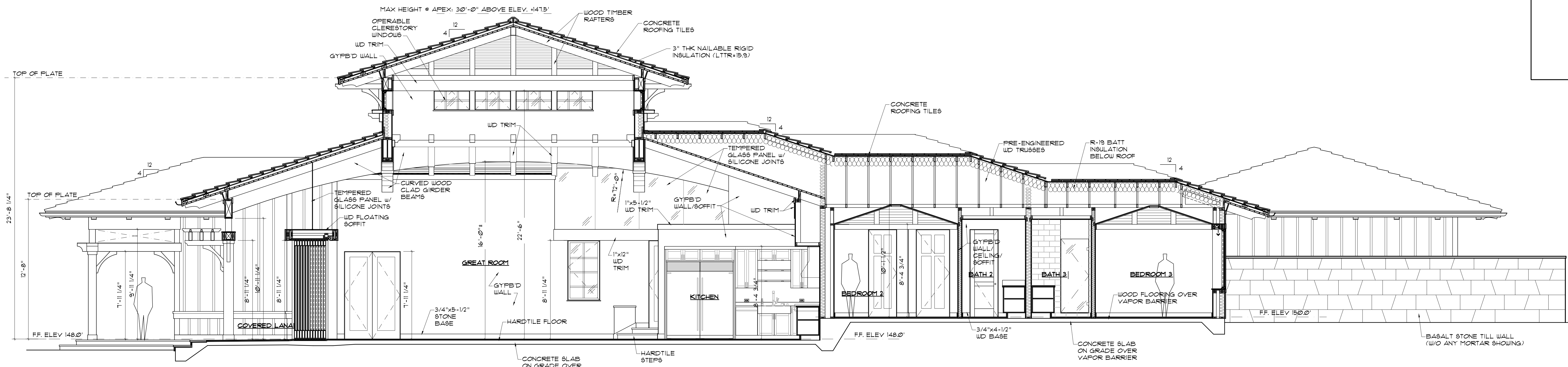
REVISIONS:
01/26/24
02/05/24
03/05/24
07/17/24
09/23/24

SHEET - OF -
A-2.8
DATE: -

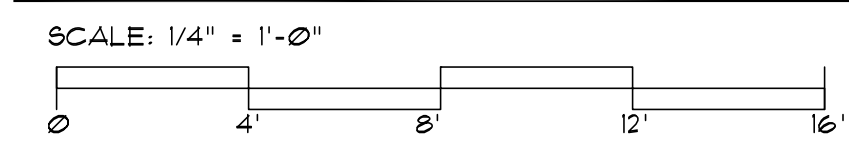


LIGHT TYPE	DESCRIPTION
1A	4" NON-INSULATED CEILING, RECESSED DOWNLIGHT, DIMP LABEL, LED
1B	3" NON-INSULATED CEILING, RECESSED DOWNLIGHT, KITCHEN SOFFIT
2A	5" NON-INSULATED CEILING, RECESSED DOWNLIGHT, LED
2B	5" NON-INSULATED CEILING, RECESSED DOWNLIGHT, WET LOCATION
2C	5" NON-INSULATED CEILING, RECESSED DOWNLIGHT, ADJUSTABLE
3A	5" NON-INSULATED CEILING, RECESSED DOWNLIGHT, LED, TAG FLAT CEILING
3B	5" NON-INSULATED CEILING, RECESSED DOWNLIGHT, TAG SLOPE CEILING, ADJUSTABLE
4A	DECORATIVE BATHROOMS SCENCE
4B	DECORATIVE POWDER ROOM SCENCE
5	EXTERIOR SURFACE MOUNTED LIGHT, UP AND DOWN LIGHT
6A	DECORATIVE ENTRY FOYER LIGHT
6B	DECORATIVE DINING ROOM LIGHT
6C	DECORATIVE GREAT ROOM LIGHT
6D	DECORATIVE KITCHEN LIGHT
6E	DECORATIVE ALCOVE LIGHT
6F	DECORATIVE BBQ PAVILION LIGHT
7A	BALANCE LIGHT, LED
7B	UNDERCABINET LIGHT, LED
8A	GARAGE CEILING LIGHT
8B	ELEC/ CLOSET CEILING LIGHT
9A	SURFACE MOUNTED MONOPOINT, ADJUSTABLE
9B	SURFACE MOUNTED MONOPOINT, ADJUSTABLE
10	ENTRY GATE COLUMN WALL RECESSED LIGHT, LED
11	ATTIC LIGHT
12	BBQ ISLAND WALL RECESSED LIGHT, LED
13	POOL EQUIPMENT WALL MOUNTED LIGHT, LED
14	LANDSCAPE PATHWAY LIGHT
15	LANDSCAPE UP LIGHT
16	LANDSCAPE TIKI TORCH
17	MASTER BED, BED 1 FAN
18	BED 2, BED 3 FAN
19	FIRE BOUL
20	SPEAKER
21	SMOKE DETECTOR
22	EXHAUST FAN
23	MOTION DETECTOR
24	ROLLER SHADE
25	SURVEILLANCE CAMERA

NOTE:
LIGHTING TYPE F1/F2 NEED LIGHTING WIRING FOR FAN LIGHTS.



MAIN RESIDENCE BUILDING SECTIONS



636 Launika St.
Honolulu, HI 96819
Tel: 808-842-9229
Web: nanhawaii.com

Nan Inc

Kapalua Mauka Mahana Estates - Model A1

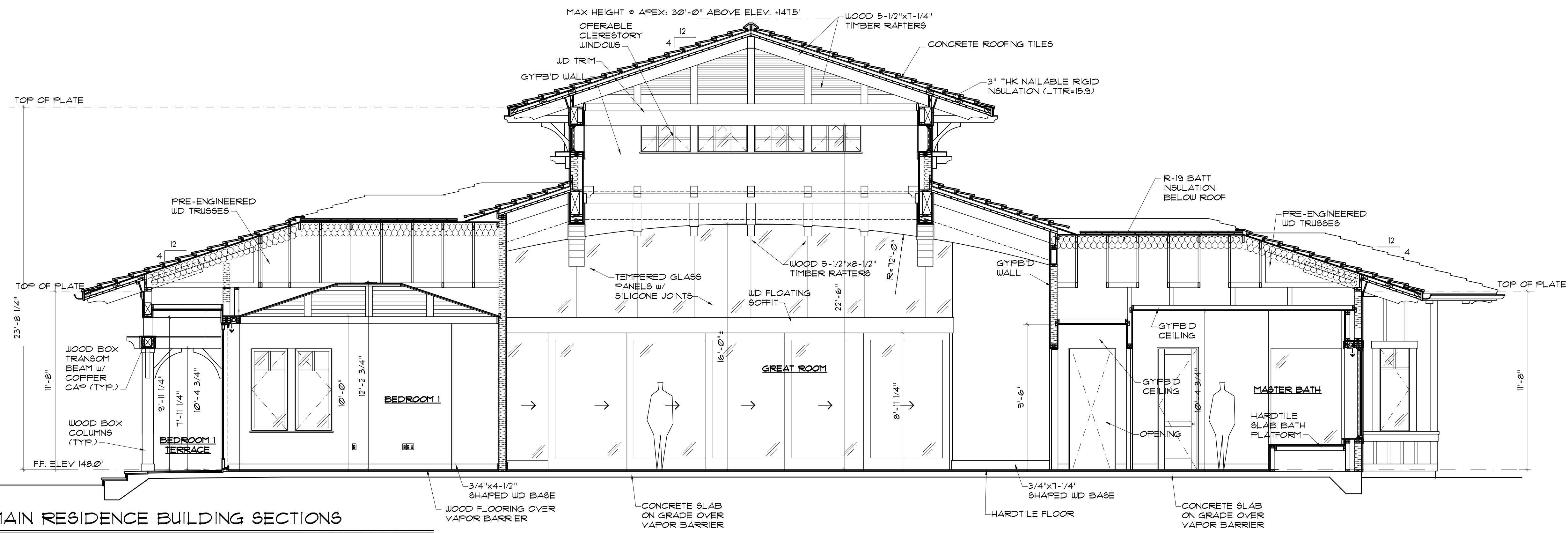
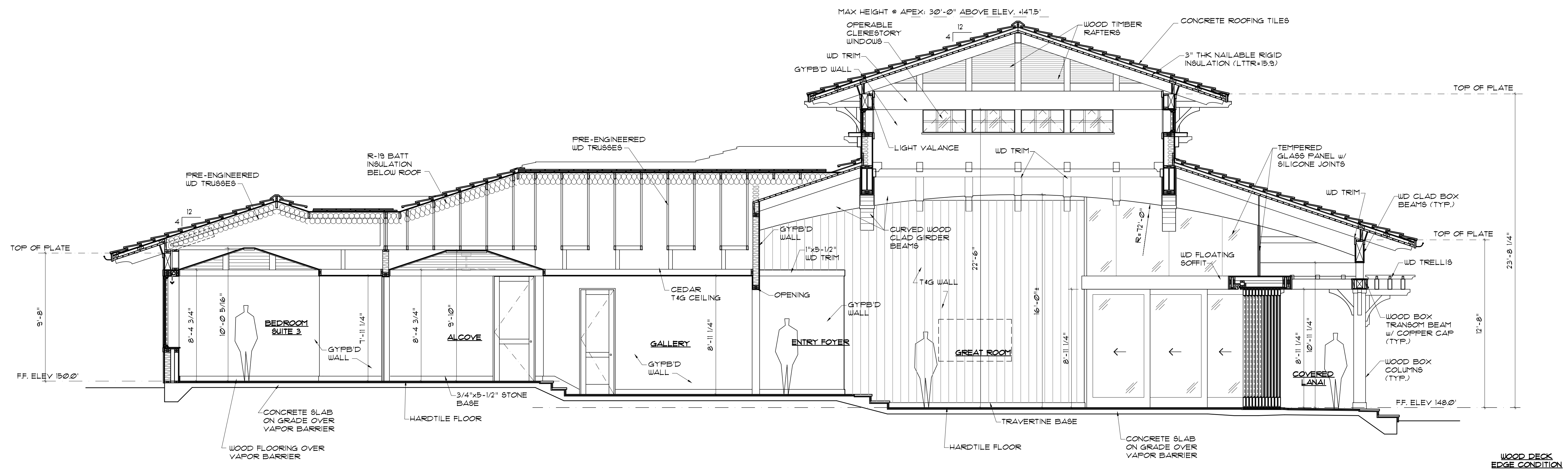
Kapalua, Maui, Hawaii
BUILDING SECTIONS

REVISIONS:
04/04/2014
01/22/2014
06/12/2014
07/13/2014
07/13/2014
07/13/2014

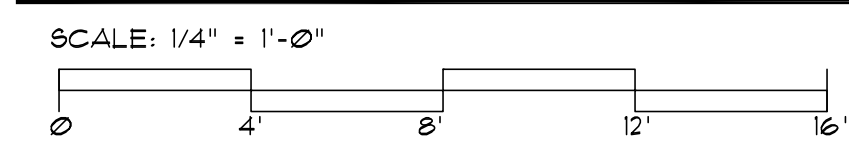
SHEET - OF -

A-5.3

DATE: -



MAIN RESIDENCE BUILDING SECTIONS



636 Luma St.
Honolulu, HI 96819
Tel. 808-842-4929
Web: nanhawaii.com

Nan Inc

Kapalua Mauka Mahana Estates - Model A1

Kapalua, Maui, Hawaii

BUILDING SECTIONS

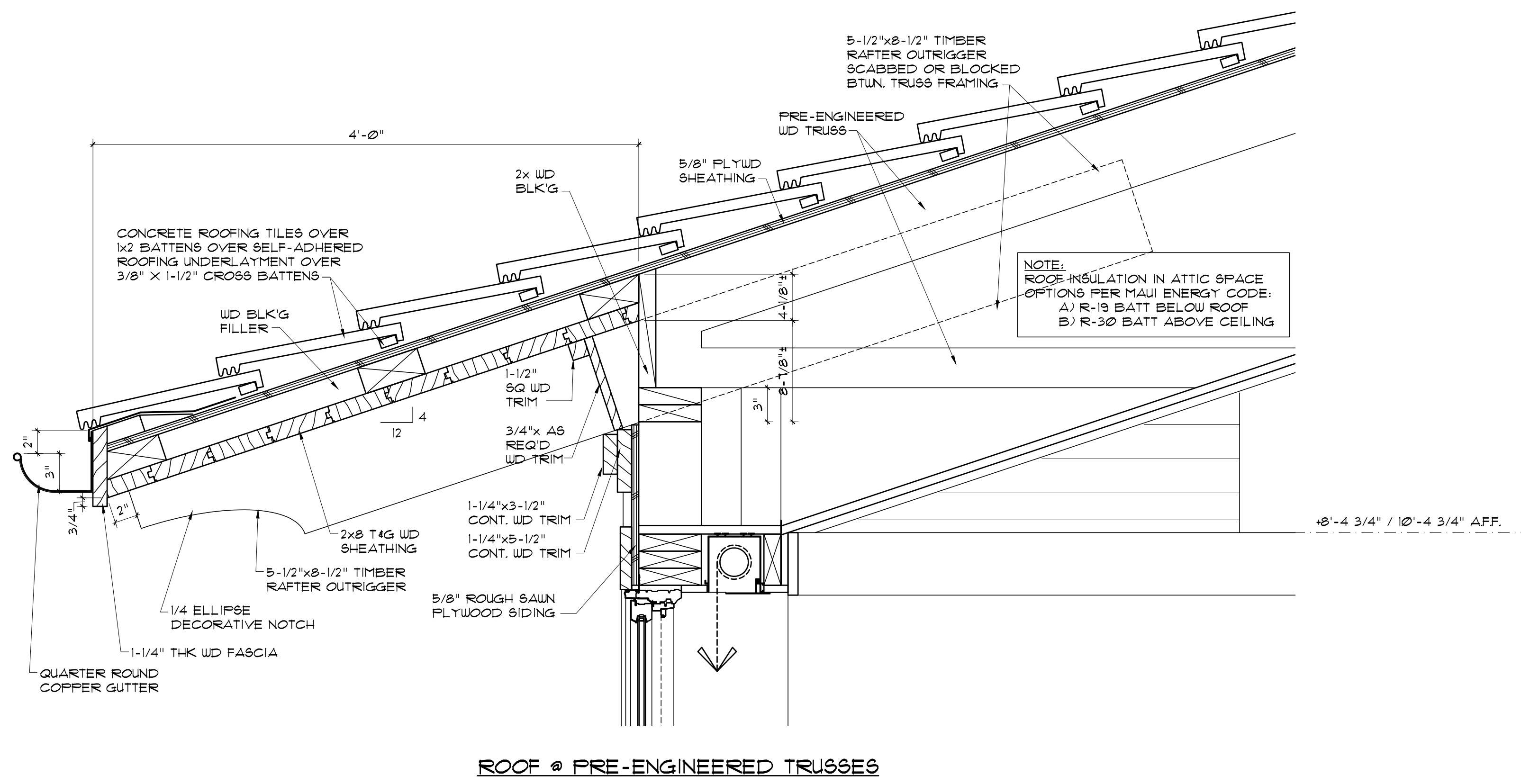
REVISIONS:

01/13/2014	01/13/2014
01/13/2014	01/13/2014
01/13/2014	01/13/2014
01/13/2014	01/13/2014
01/13/2014	01/13/2014

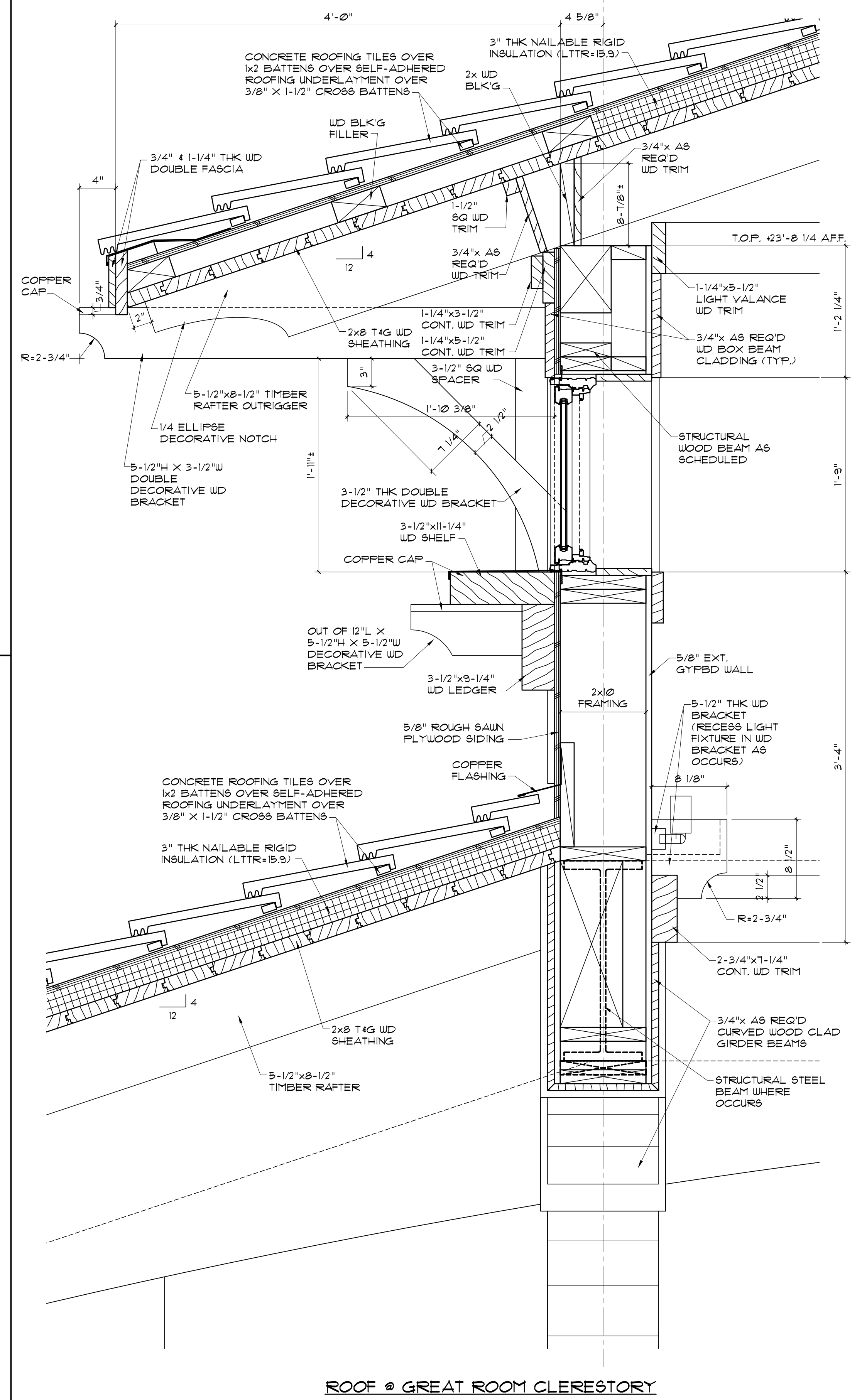
SHEET OF

A-5.4

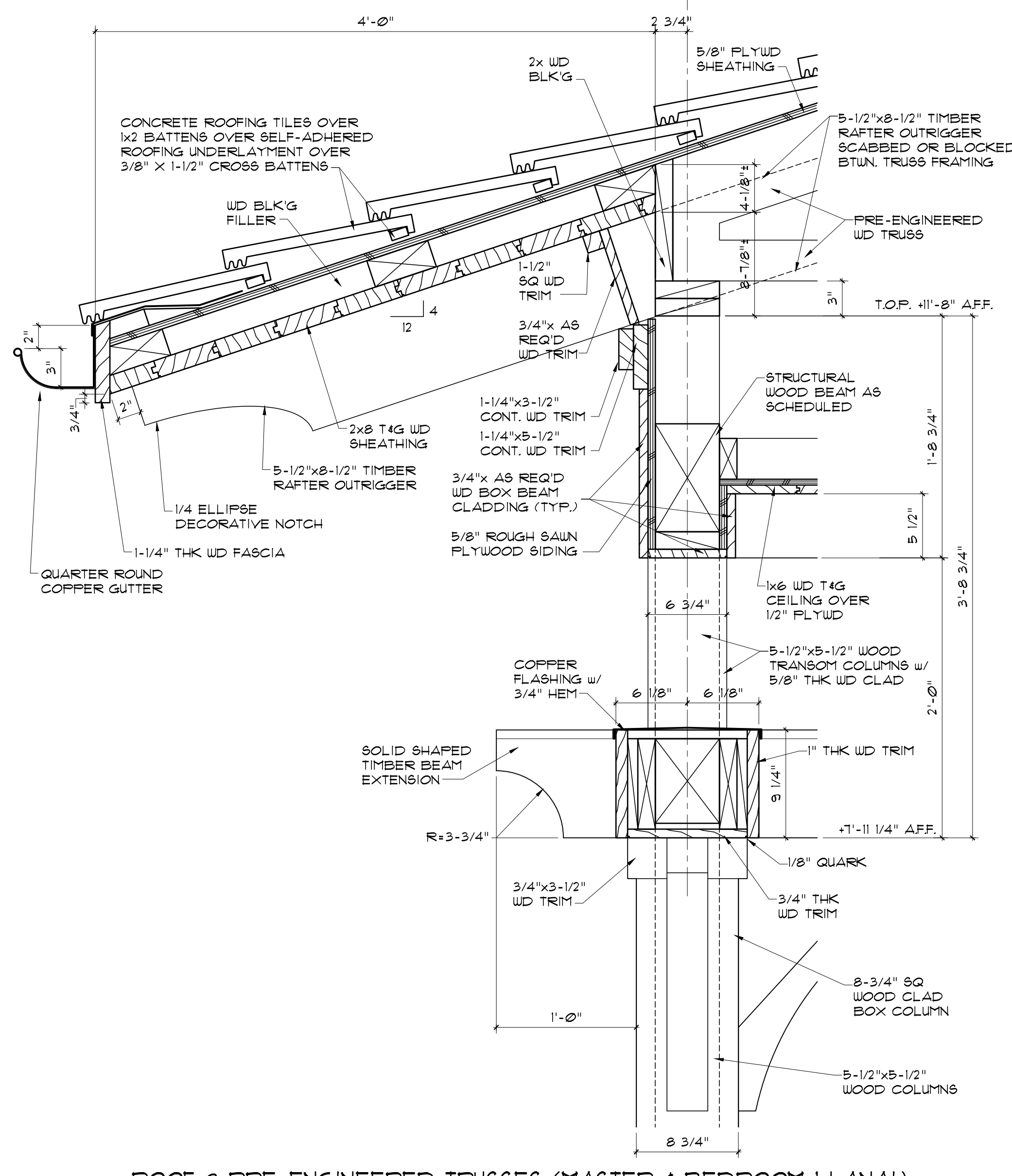
DATE:



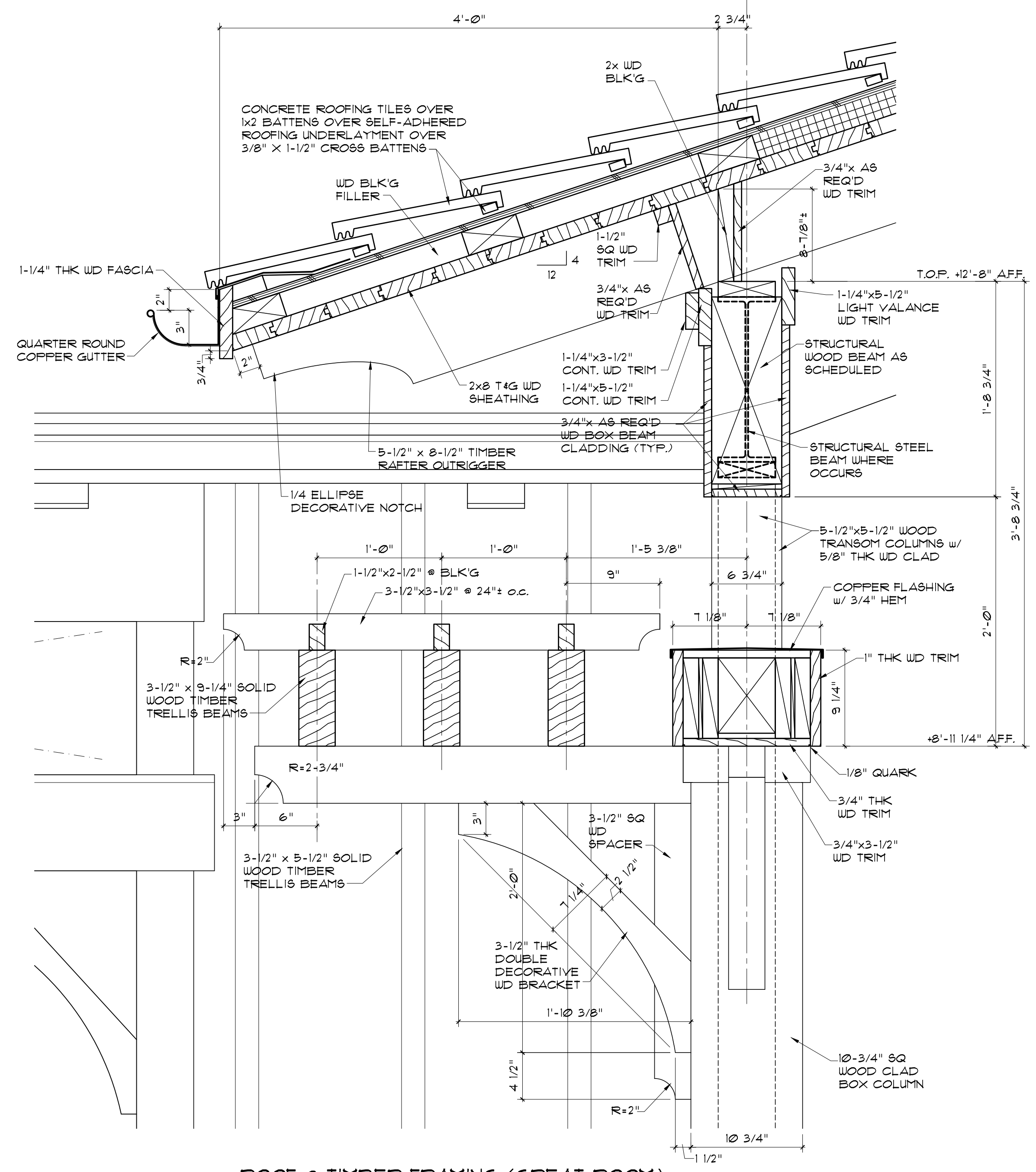
ROOF @ PRE-ENGINEERED TRUSSES



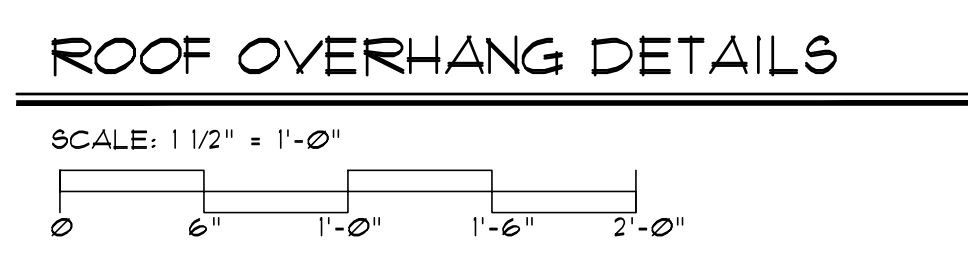
ROOF @ GREAT ROOM CLERESTORY

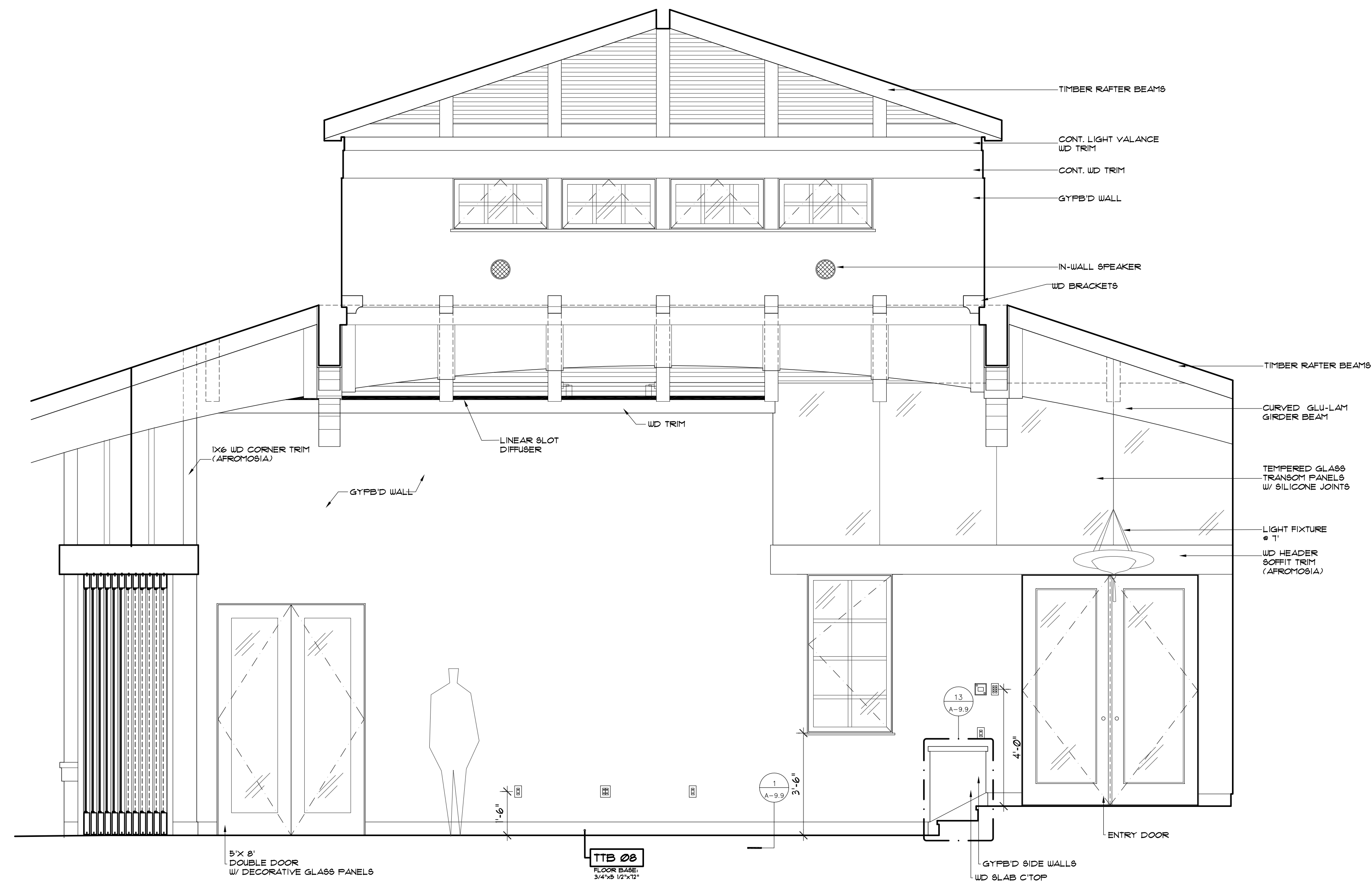


ROOF @ PRE-ENGINEERED TRUSSES (MASTER & BEDROOM | LANAI)

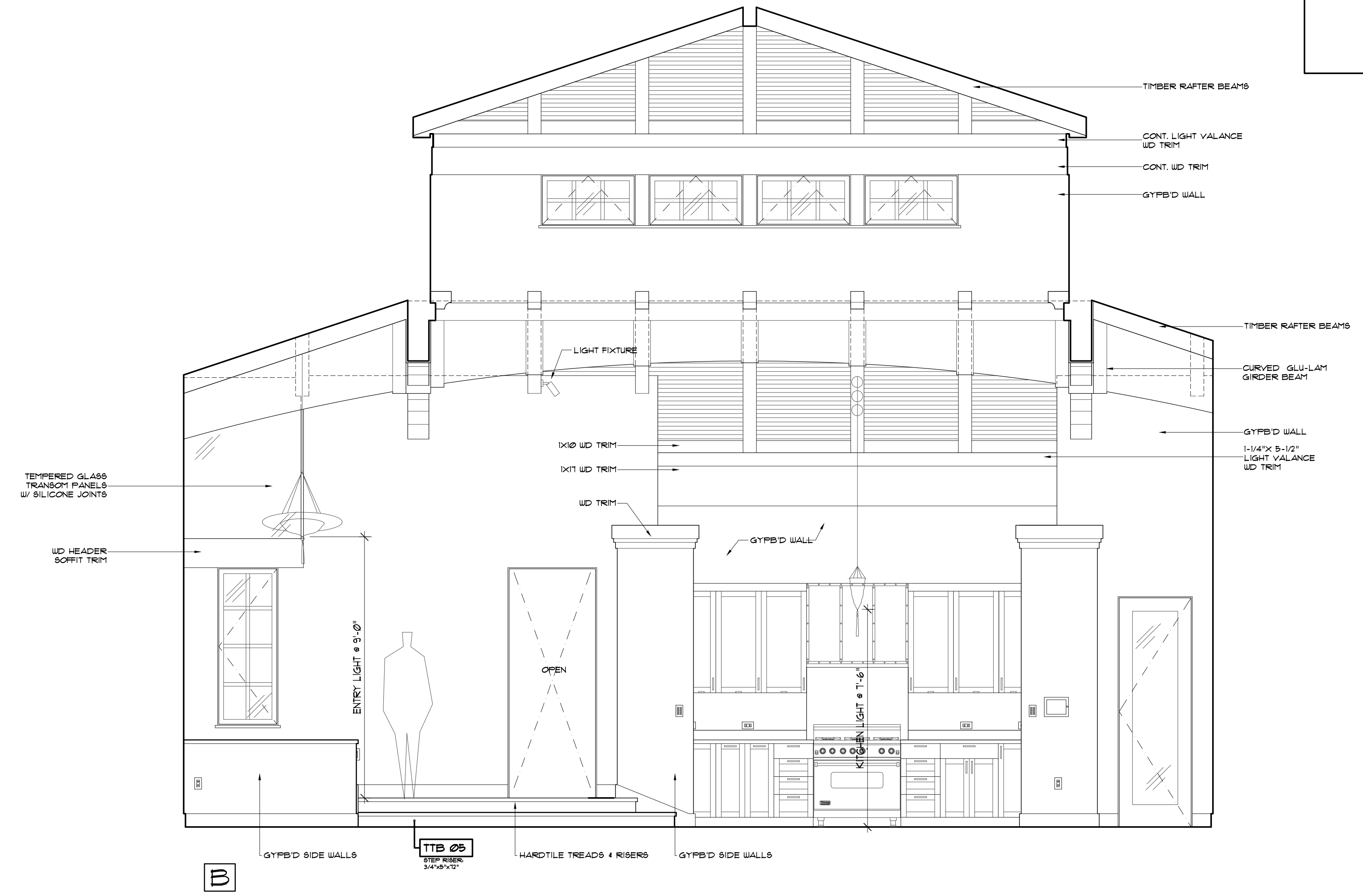


ROOF @ TIMBER FRAMING (GREAT ROOM)

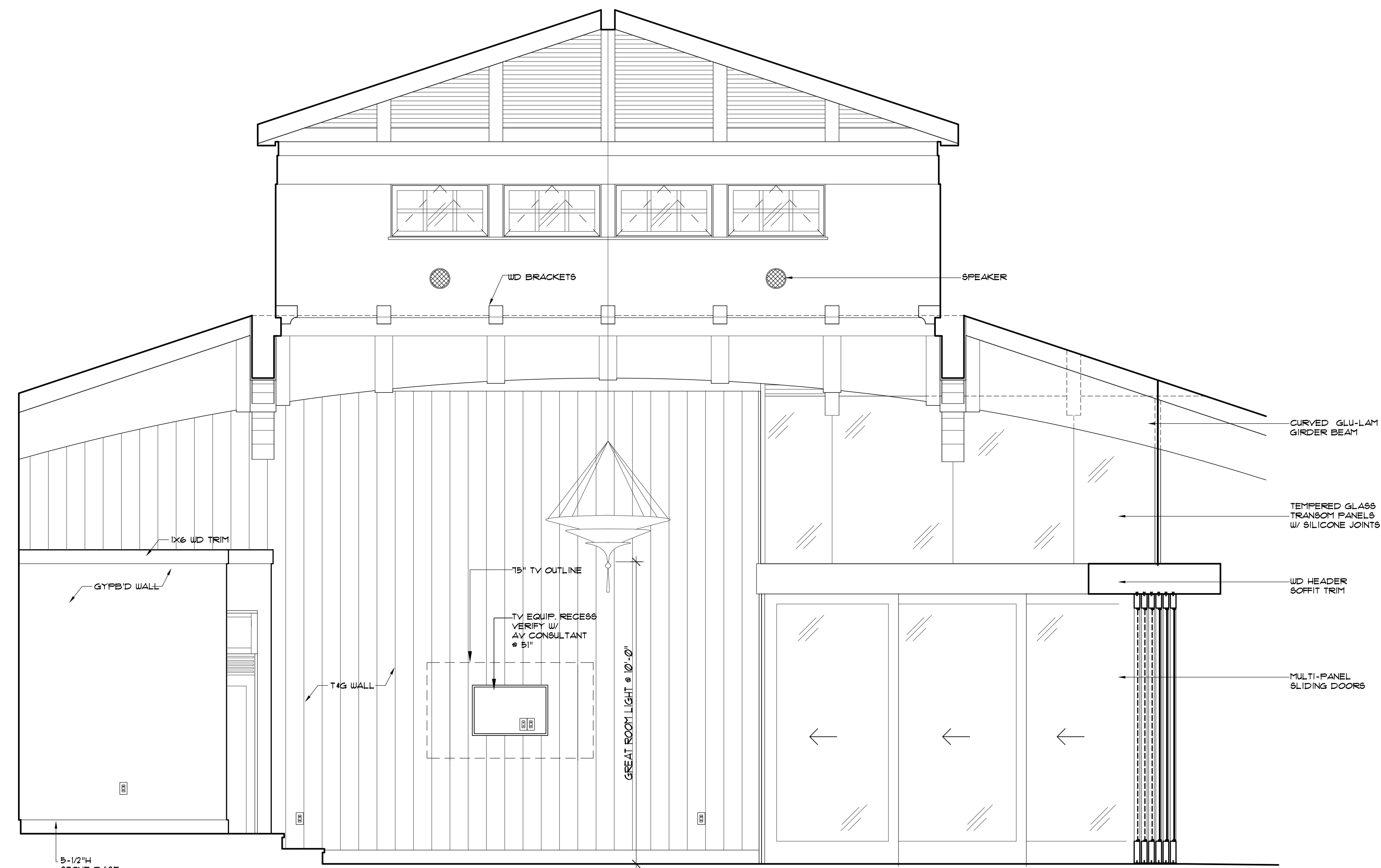




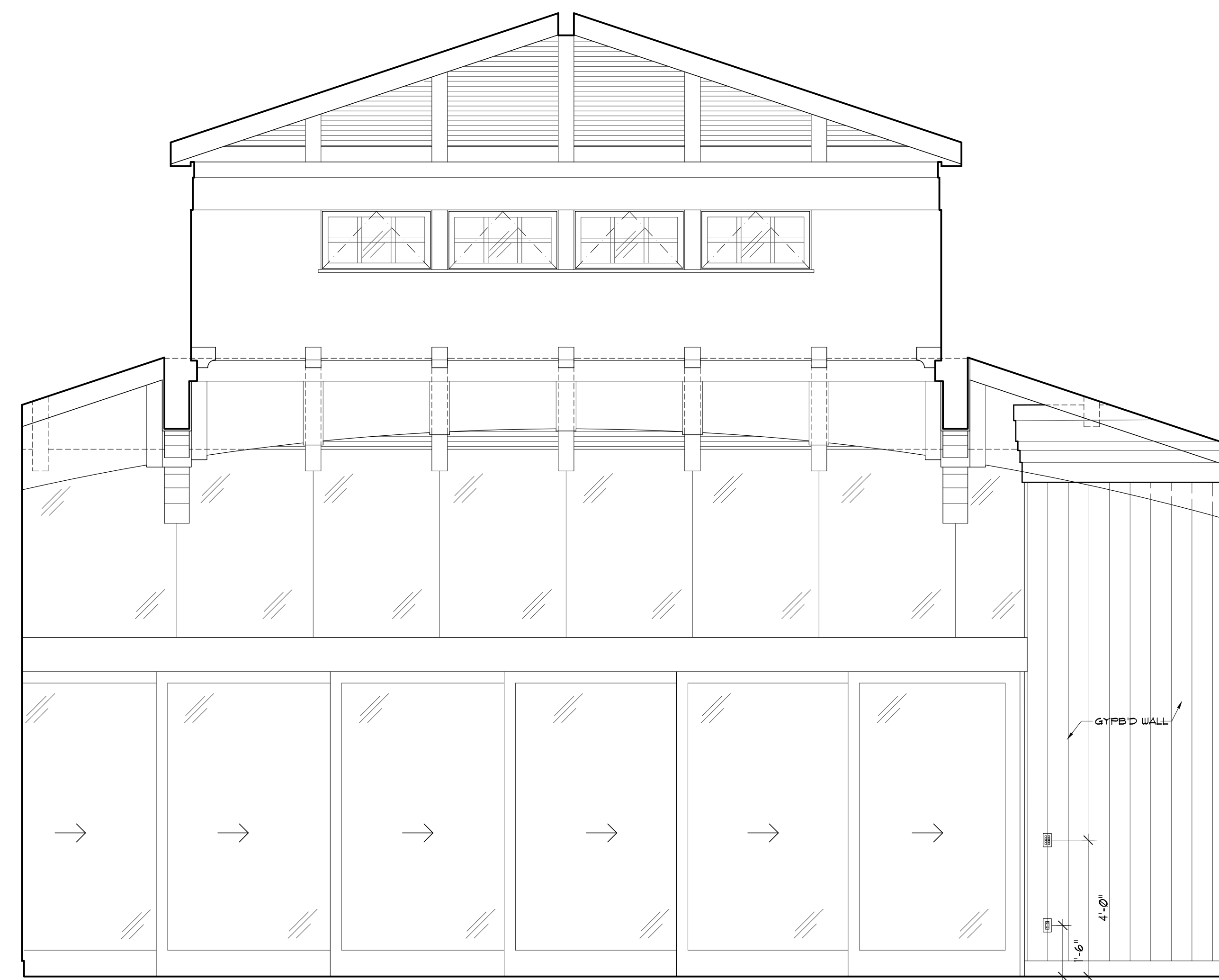
A GREAT ROOM
SCALE 3/8" = 1'-0"



B



C



D

636 Launika St.
Honolulu, HI 96819
Tel: 808-542-4929
Web: naninc.com

Nan Inc

Kapalua Mauka Mahana Estates - Model A1

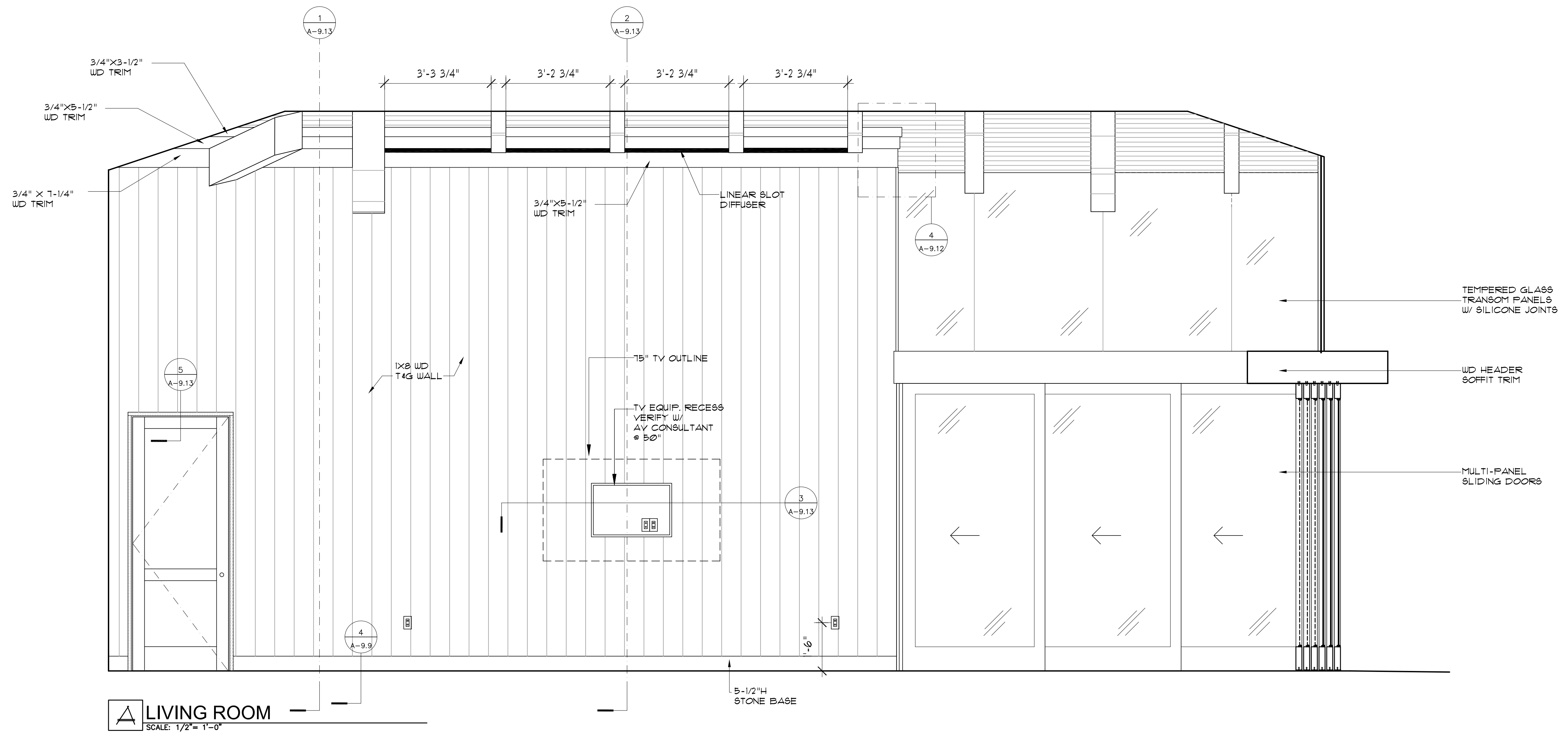
Kapalua, Maui, Hawaii
INTERIOR ELEVATIONS

REVISIONS:
09/20/08 - ACP 08

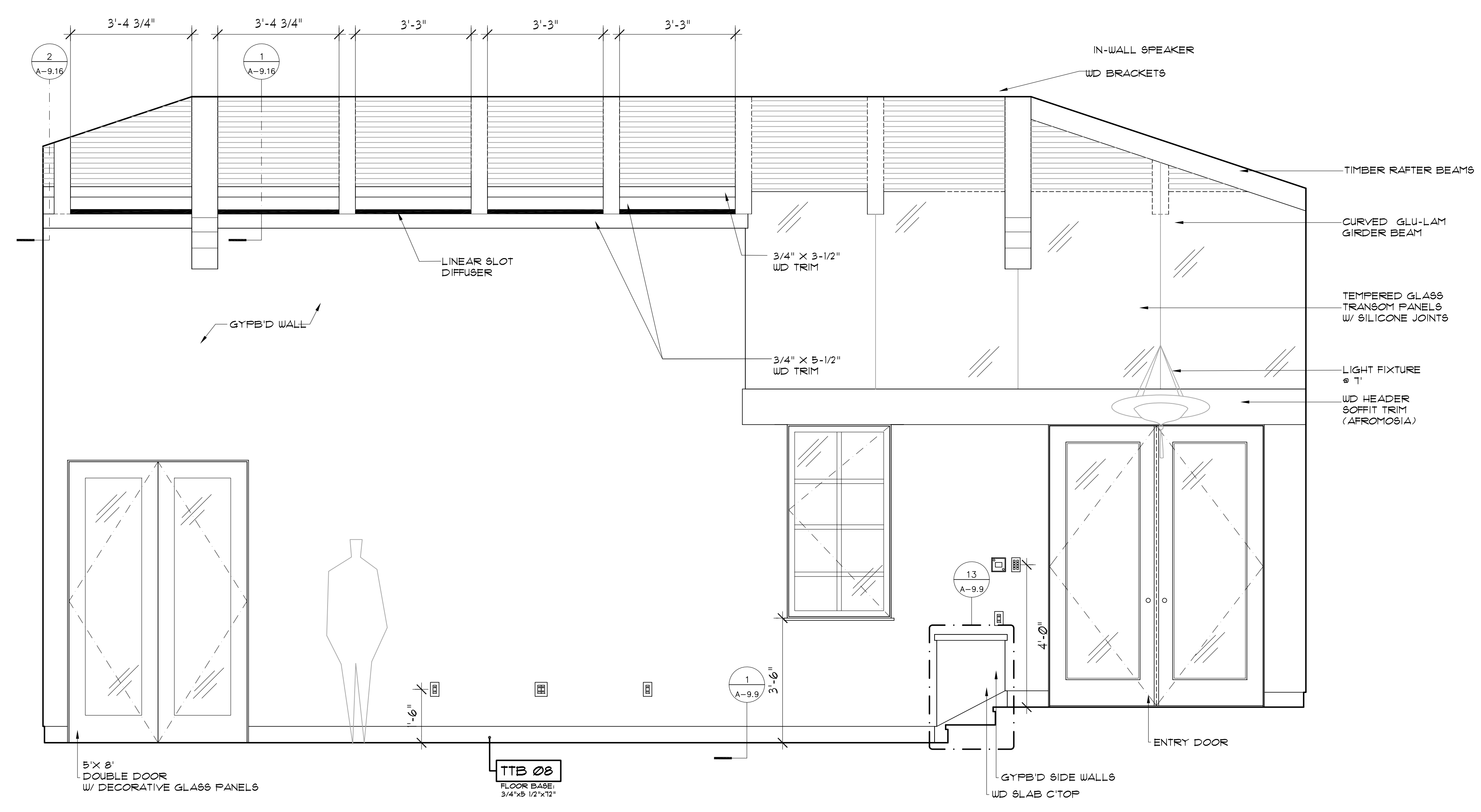
SHEET - OF -

A-8.1

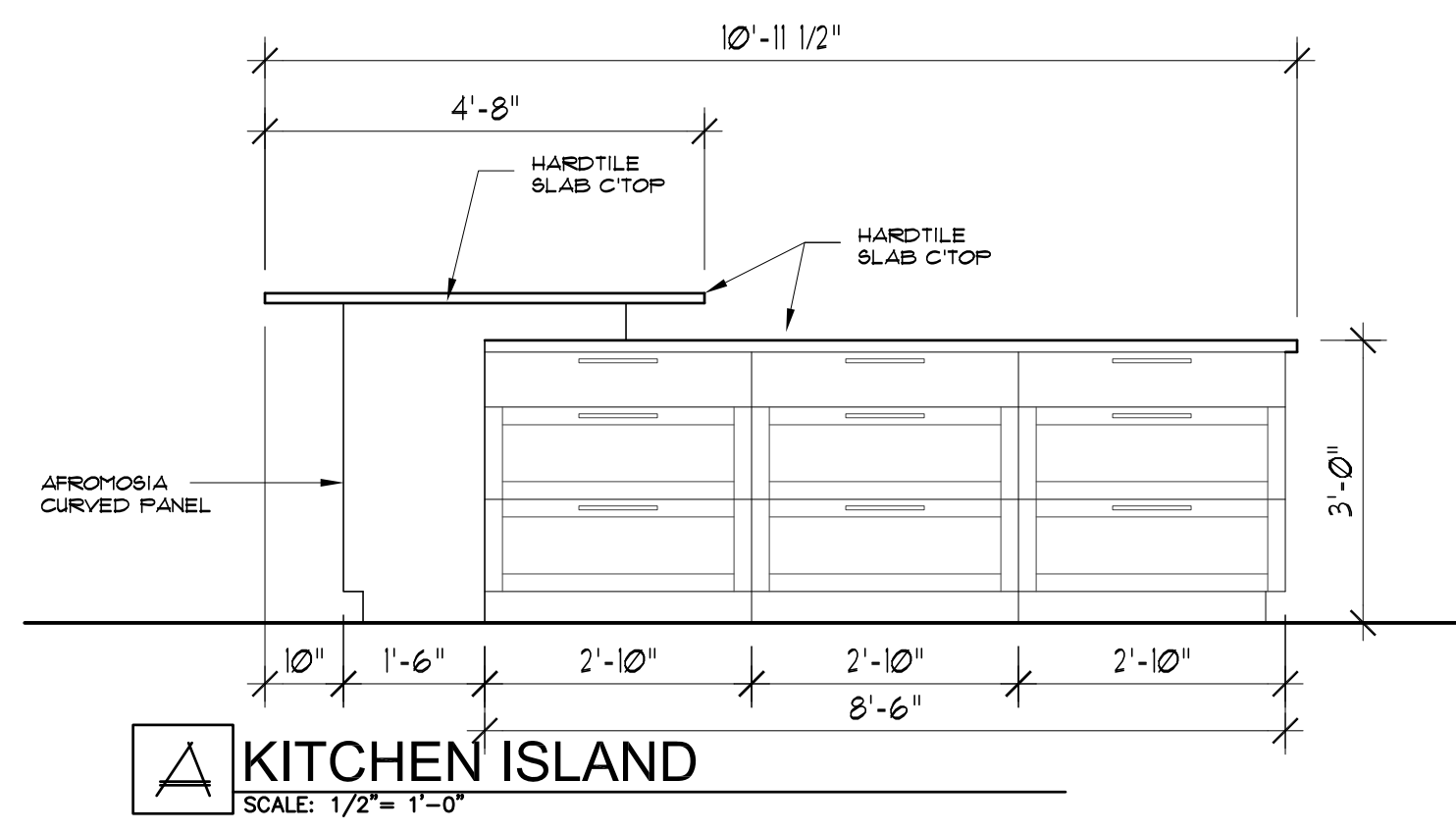
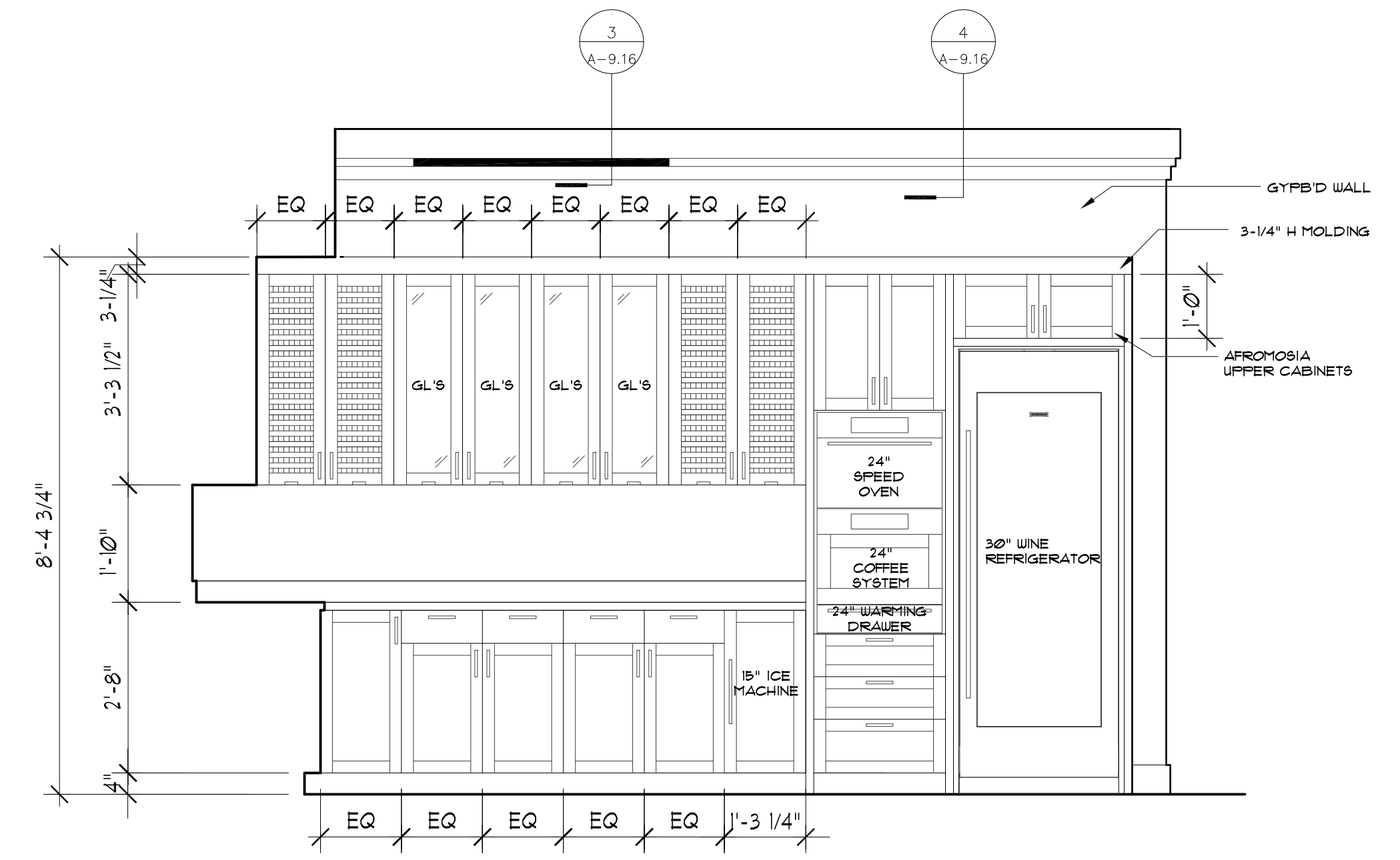
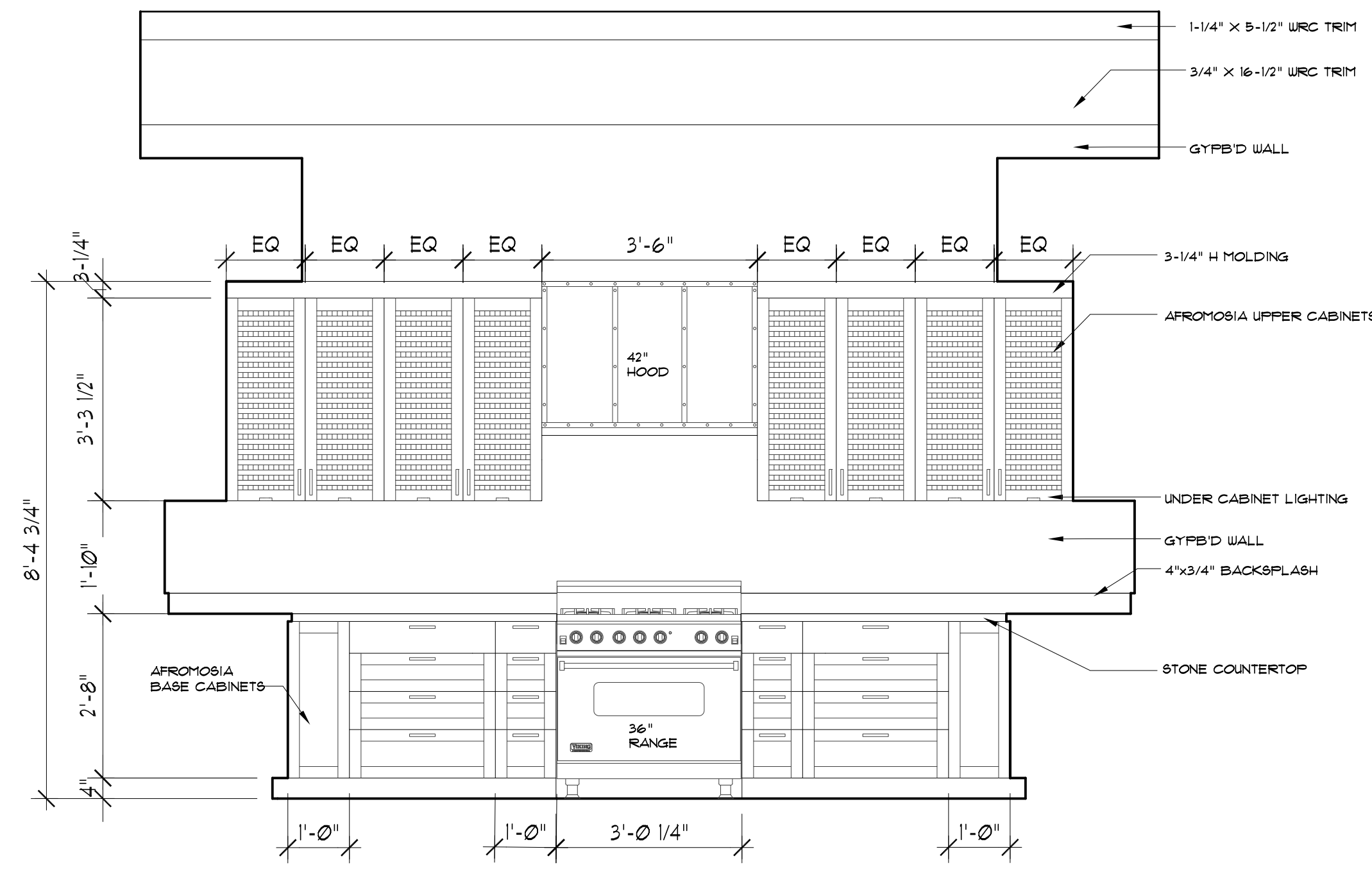
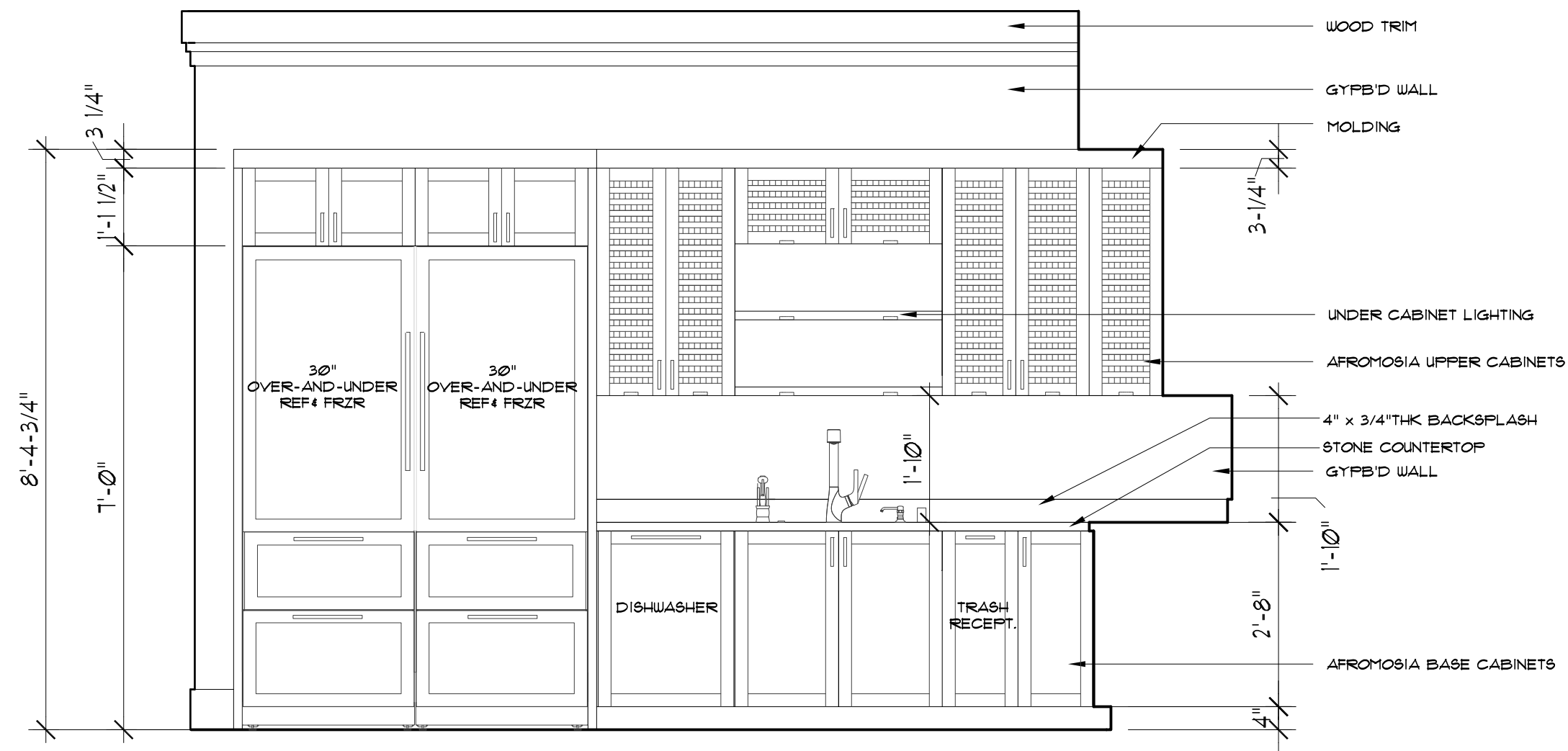
DATE: -



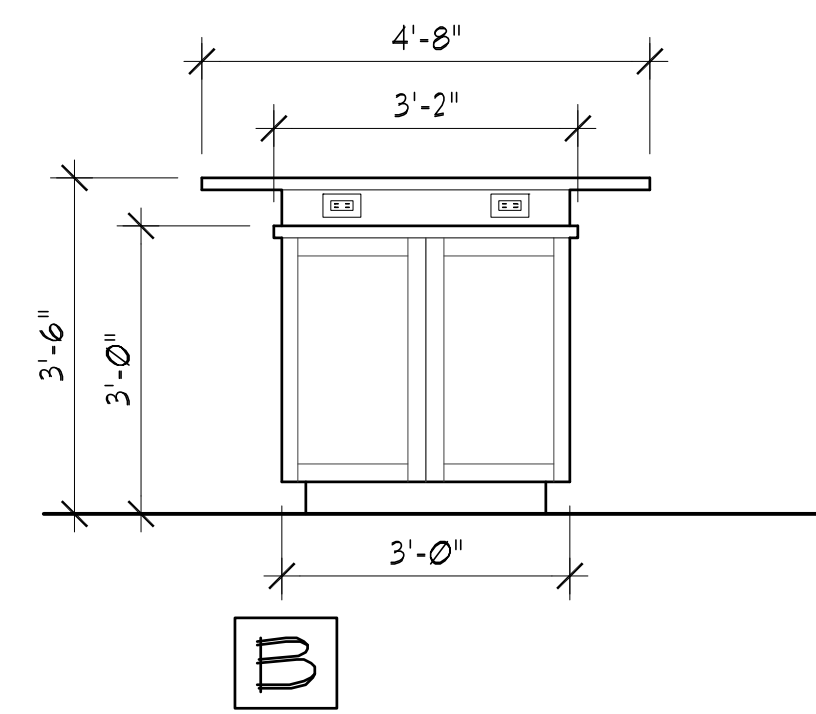
LIVING ROOM
SCALE: 1/2" = 1'-0"



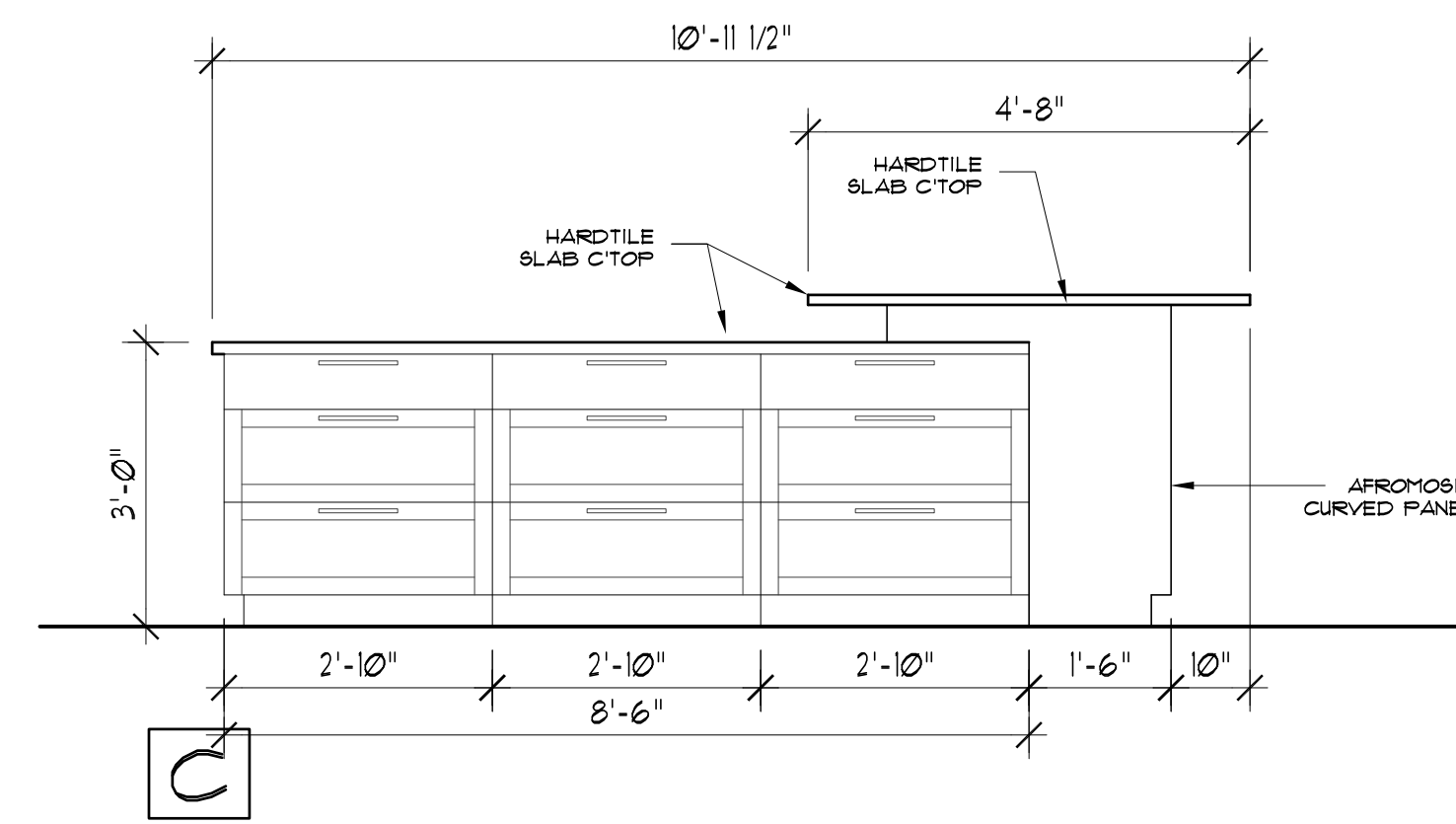
GREAT ROOM
SCALE: 3/8" = 1'-0"



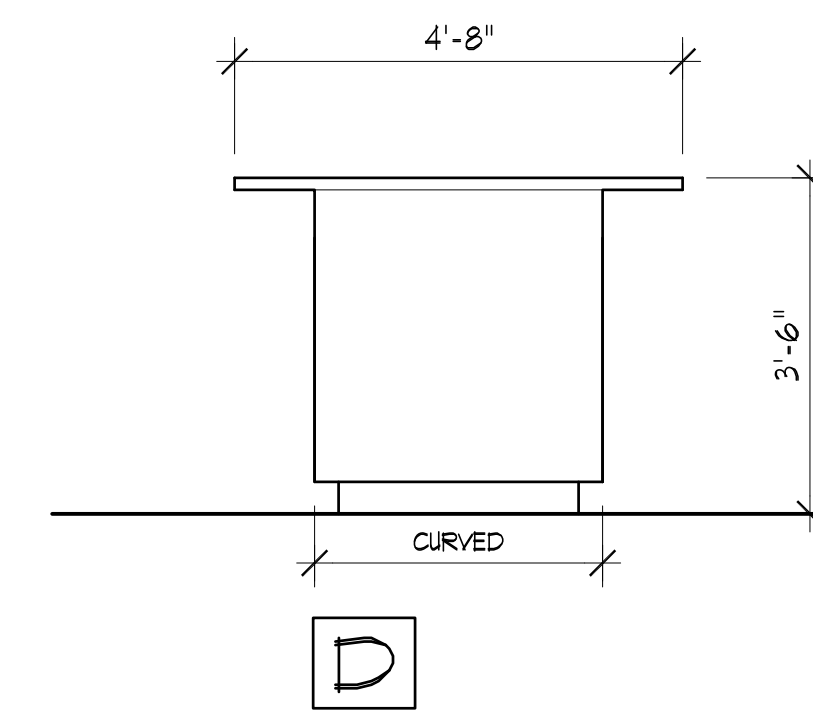
KITCHEN ISLAND
SCALE: 1/2" = 1'-0"



B



C



D

Kapalua Mauka Mahana Estates - Model A1
Kapalua, Maui, Hawaii
INTERIOR ELEVATIONS

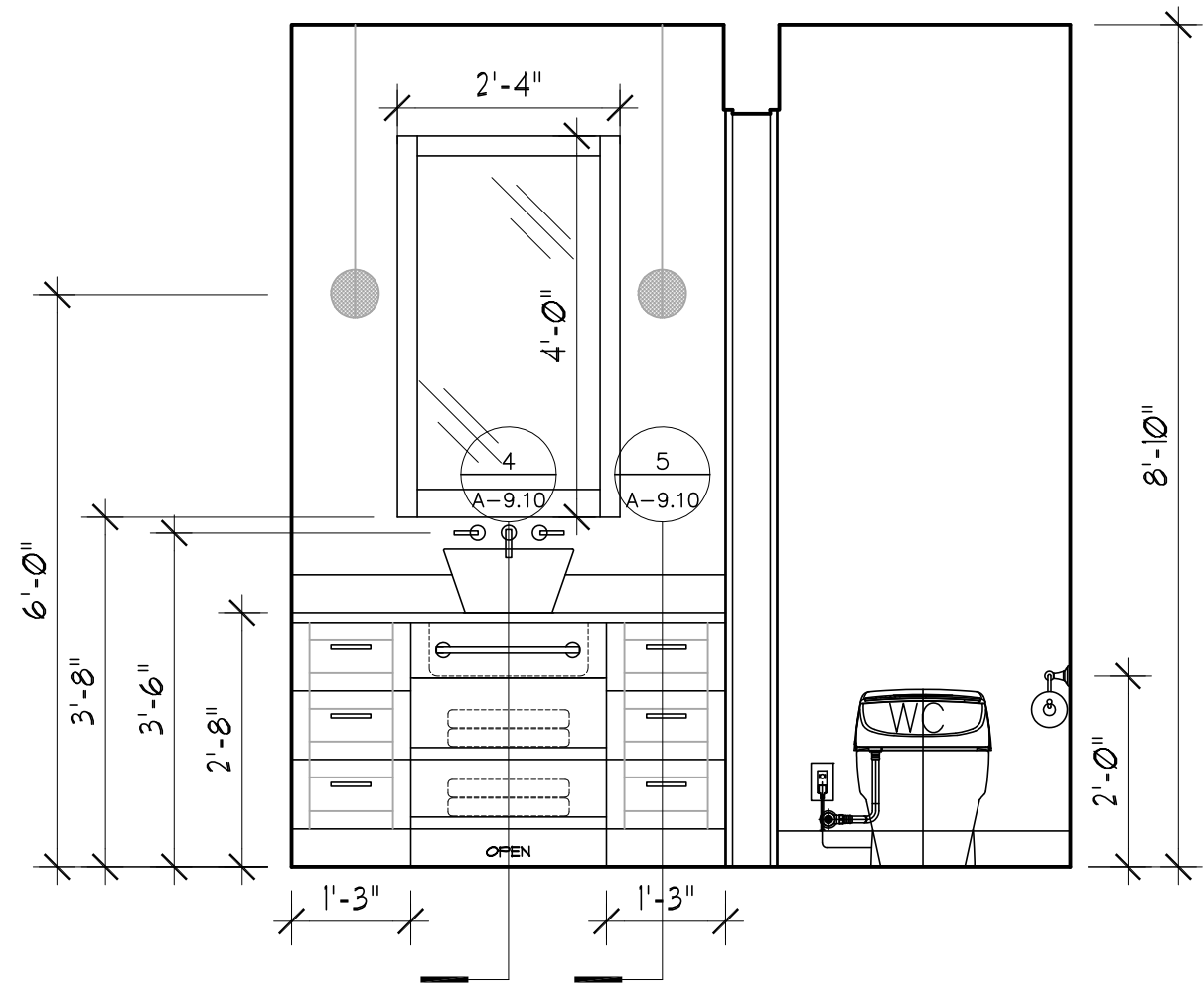
Nan Inc
636 Launika St.
Honolulu, HI 96819
Tel: 808-542-4929
Web: nanhawaii.com

REVISIONS:
12/14/2015 - ADD 38

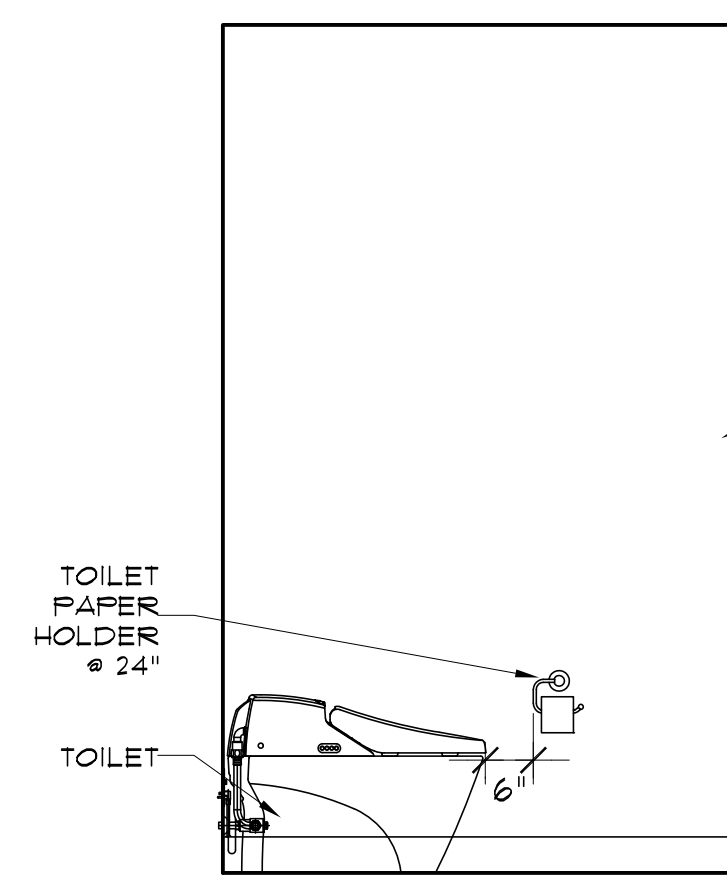
SHEET - OF -

A-8.3

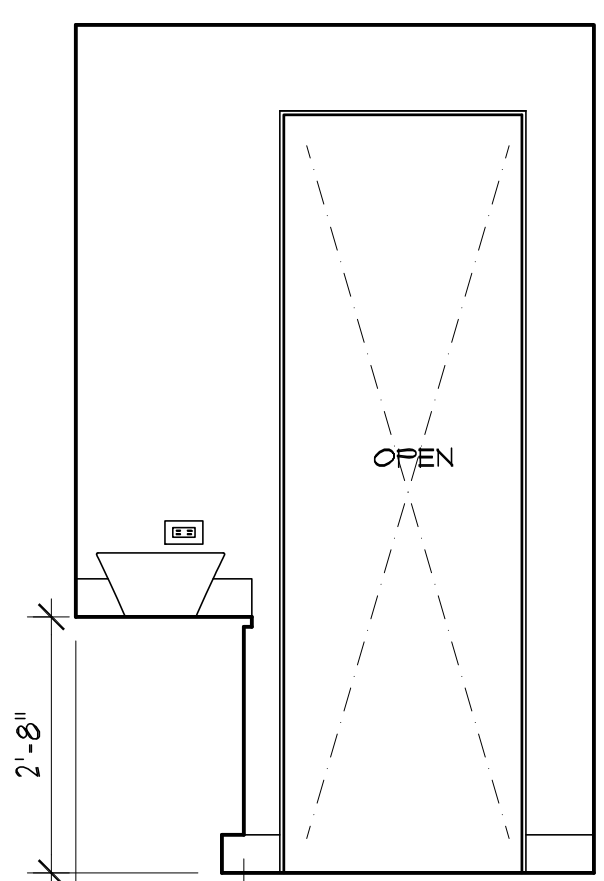
DATE: -



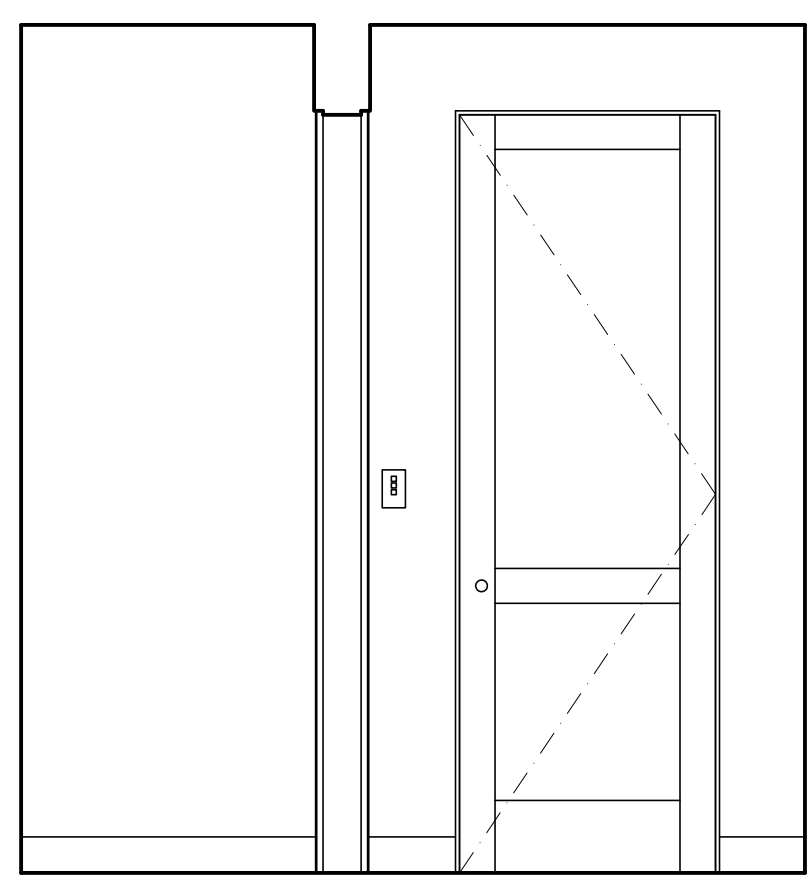
A POWDER ROOM
SCALE: 1/2" = 1'-0"



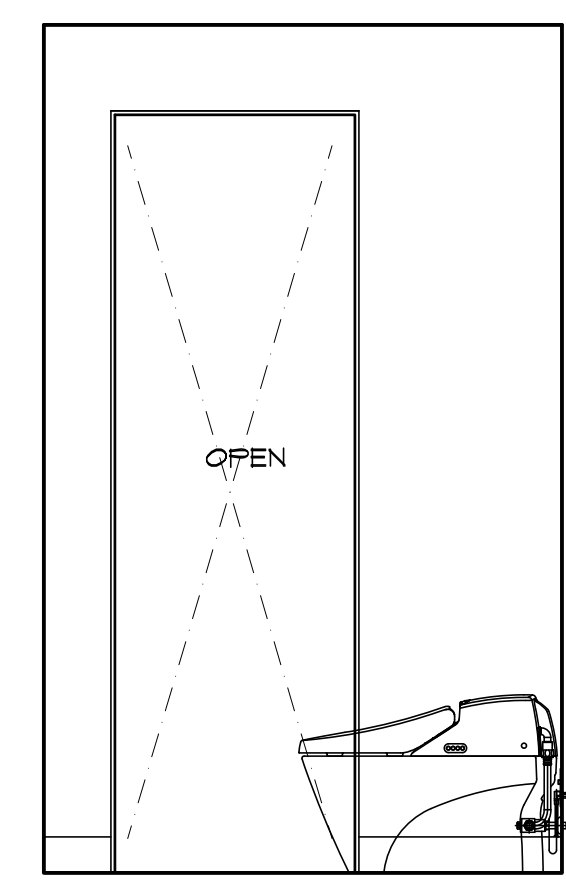
B



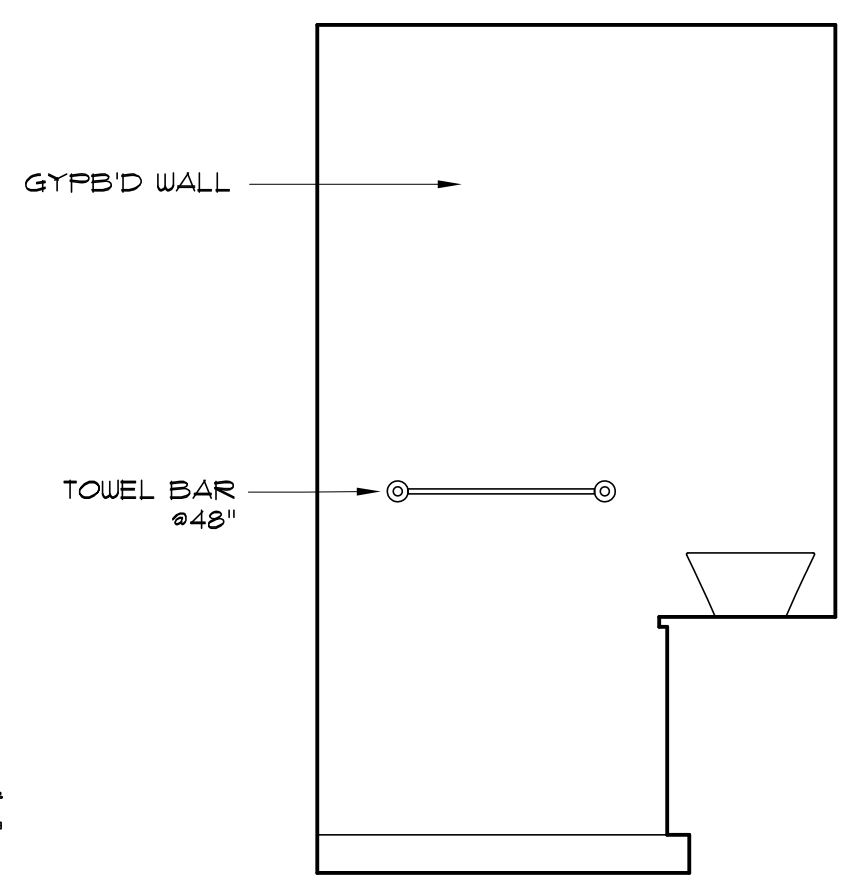
B



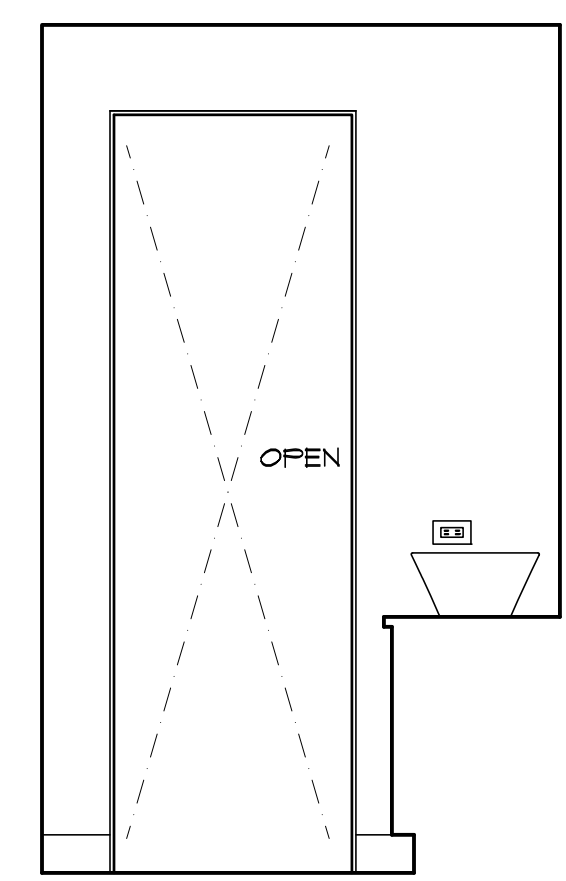
C



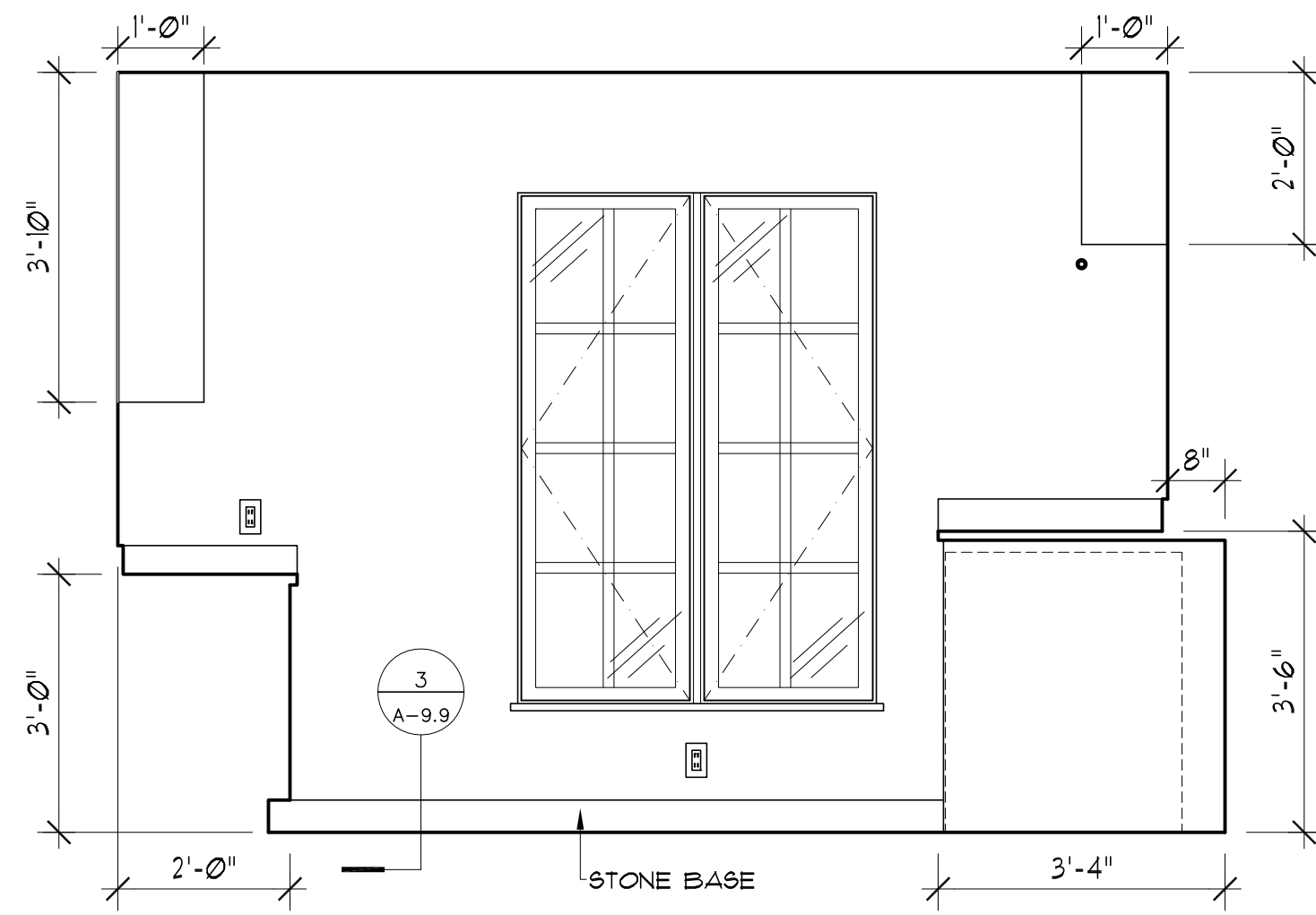
D



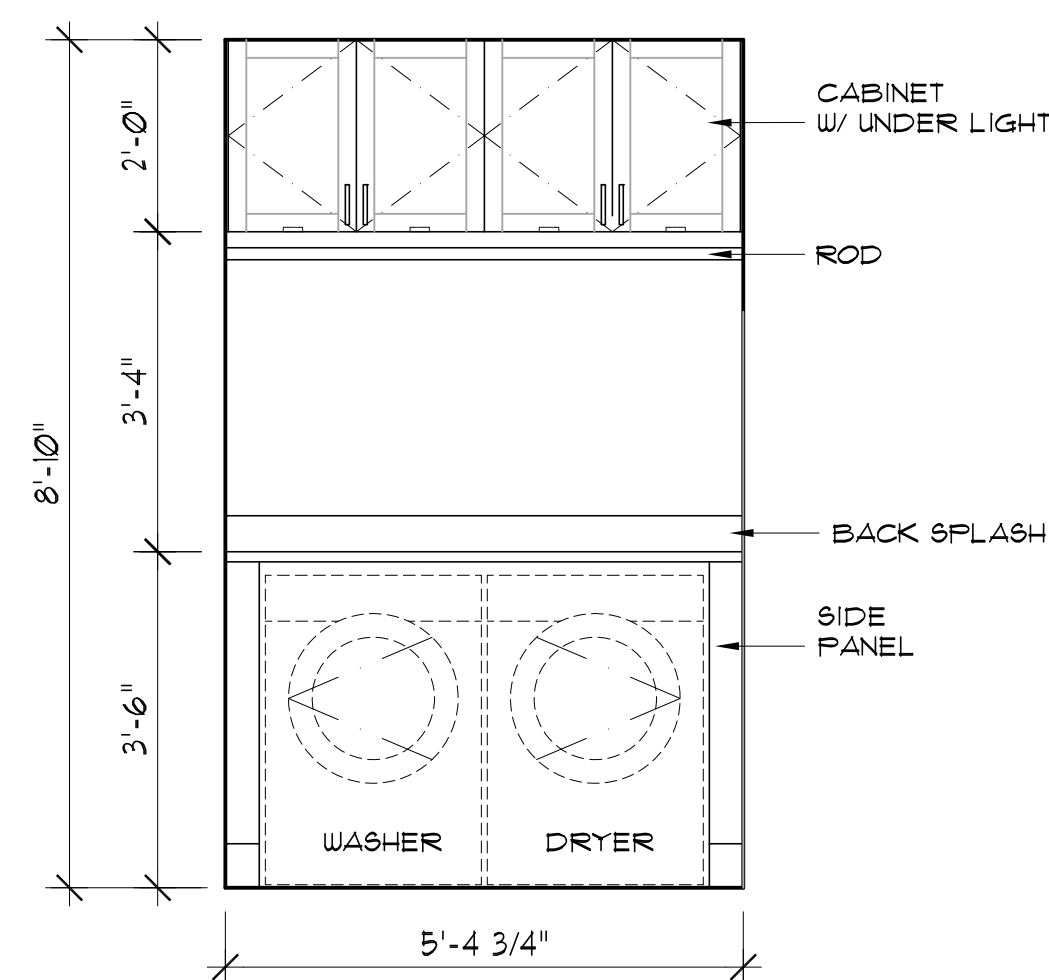
D



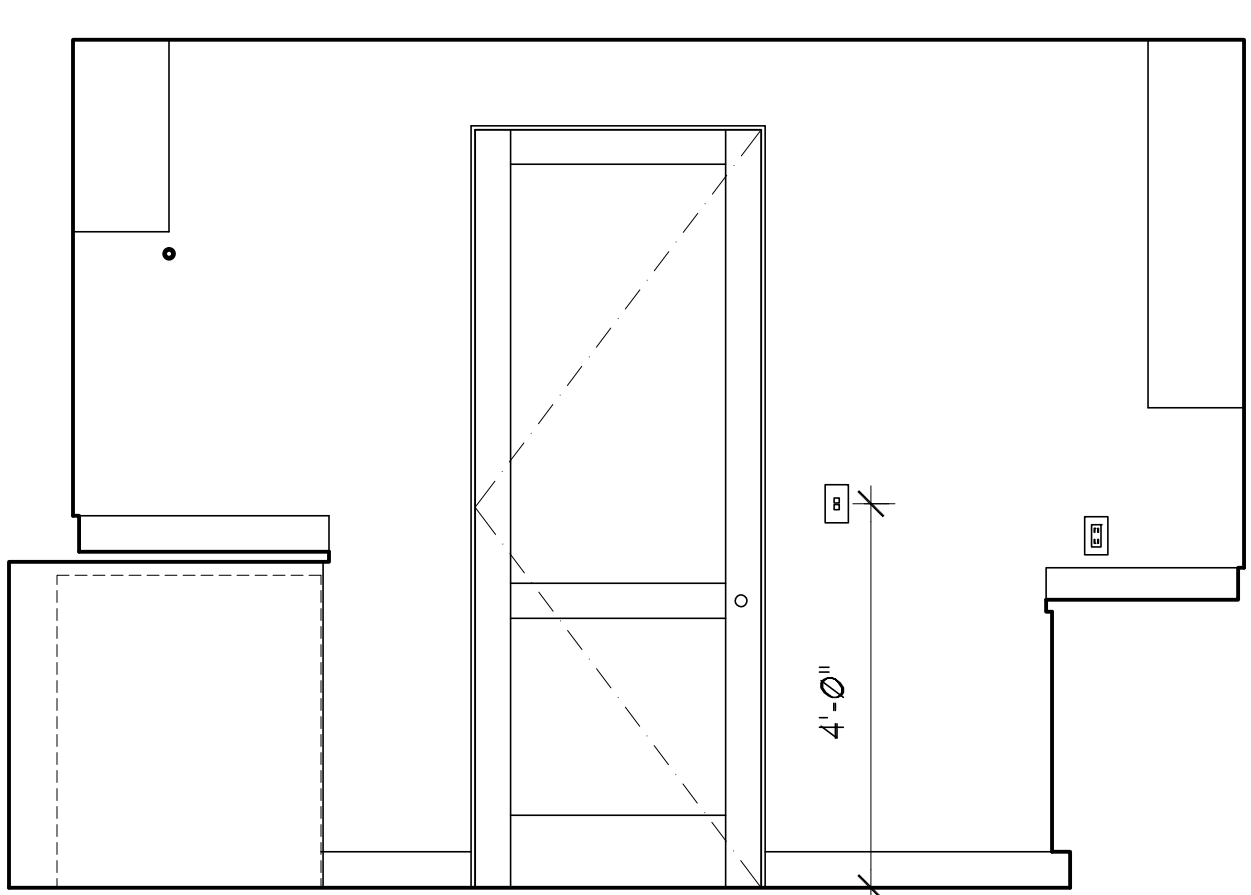
D



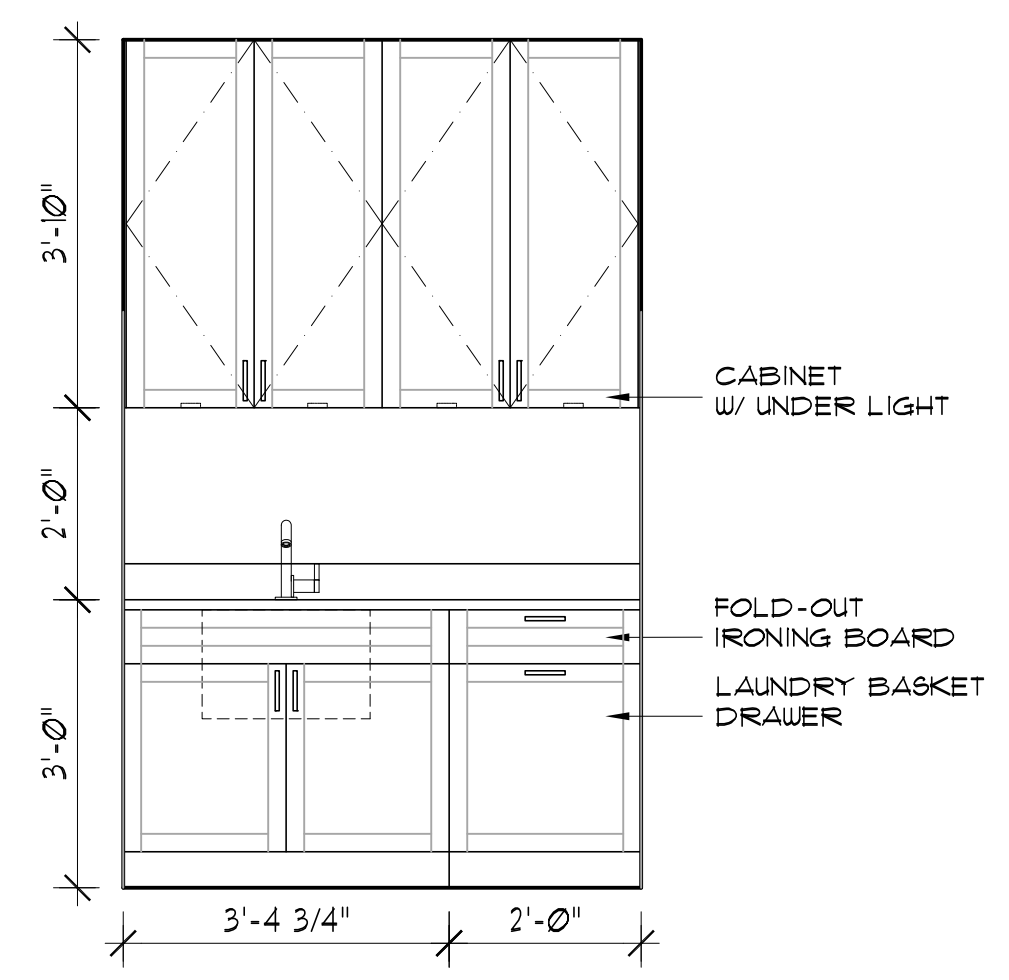
A LAUNDRY ROOM
SCALE: 1/2" = 1'-0"



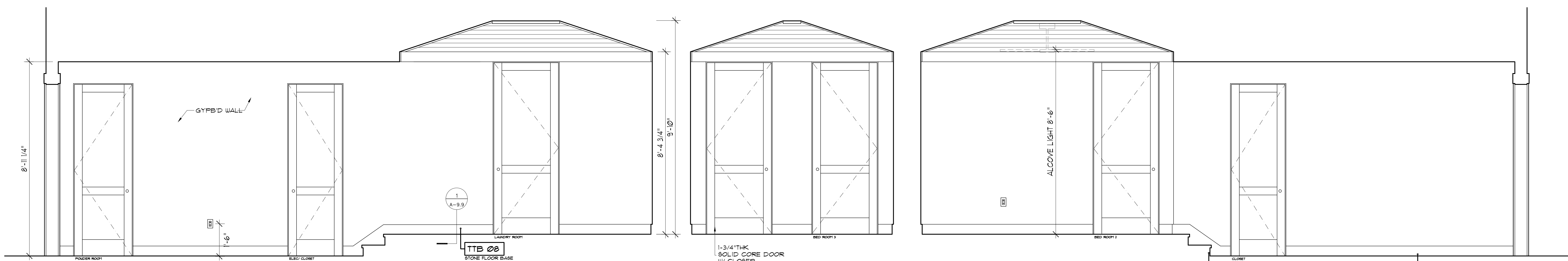
B



C



D



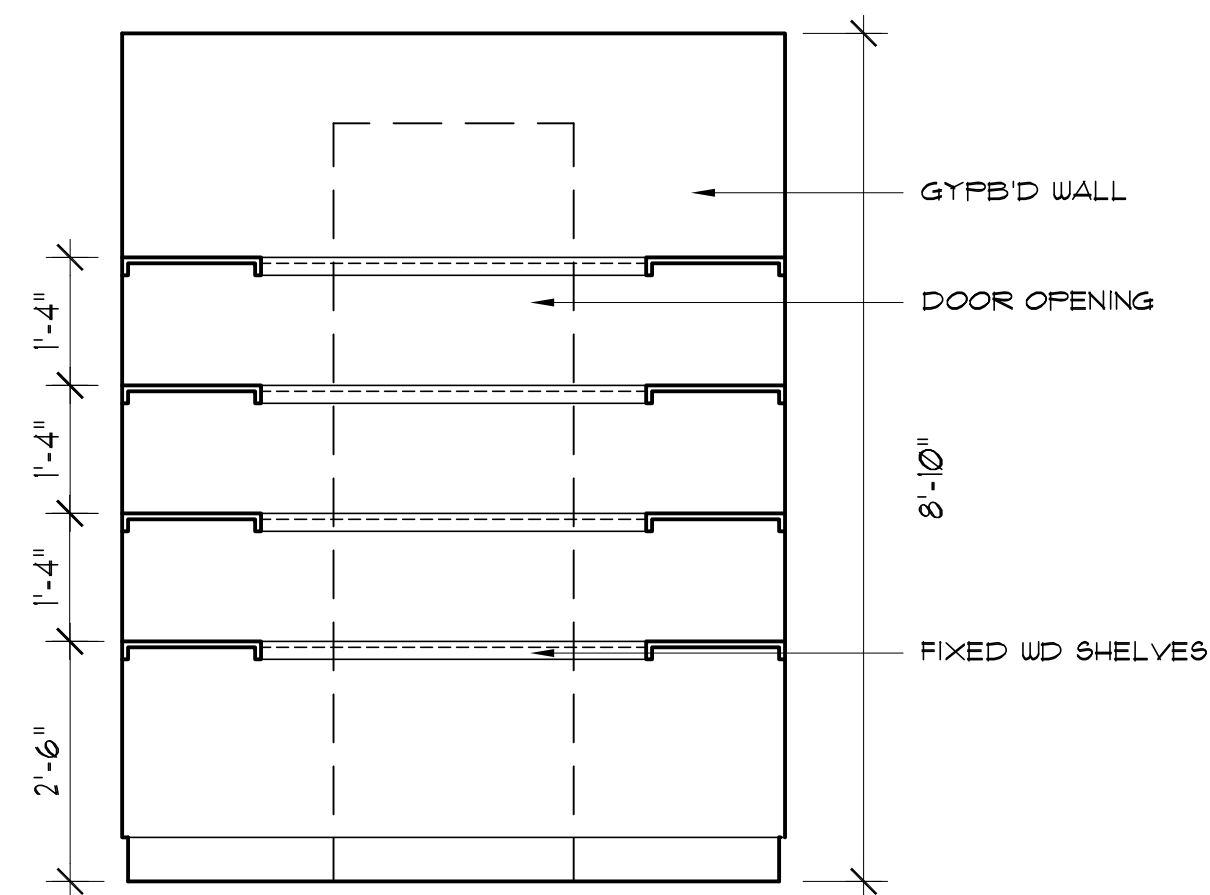
A ALCOVE
SCALE: 1/2" = 1'-0"

B

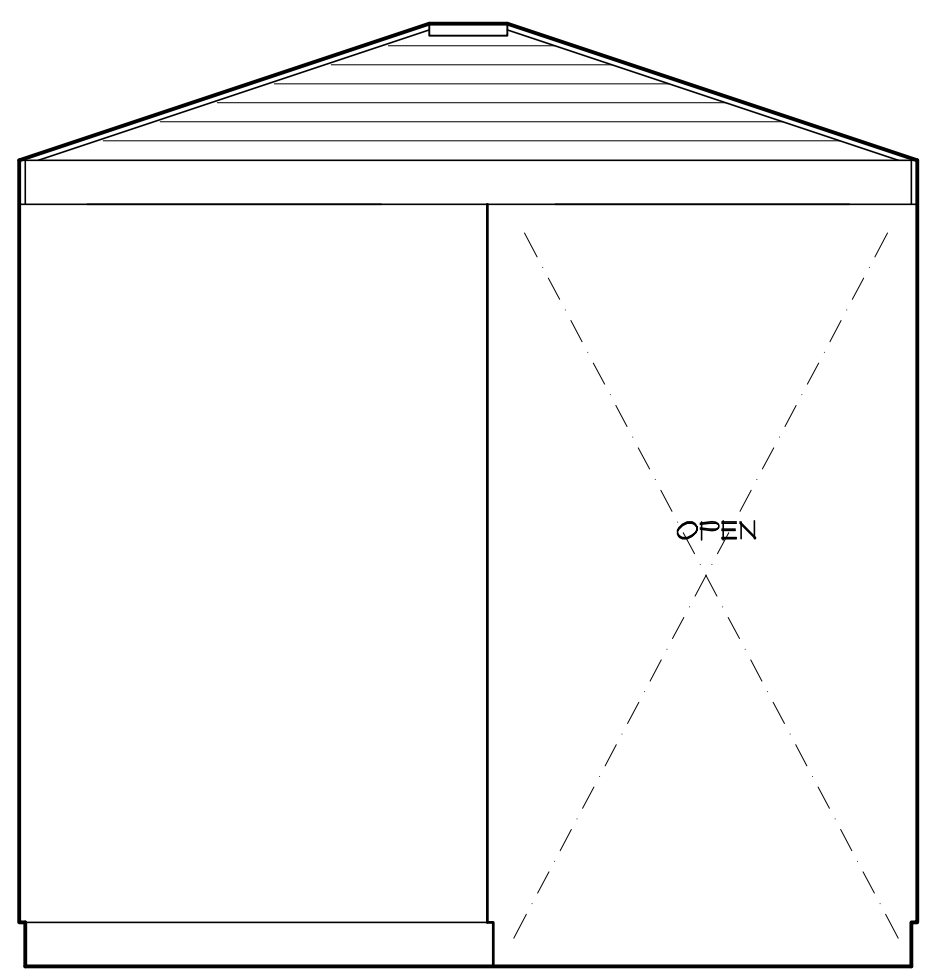
C

D

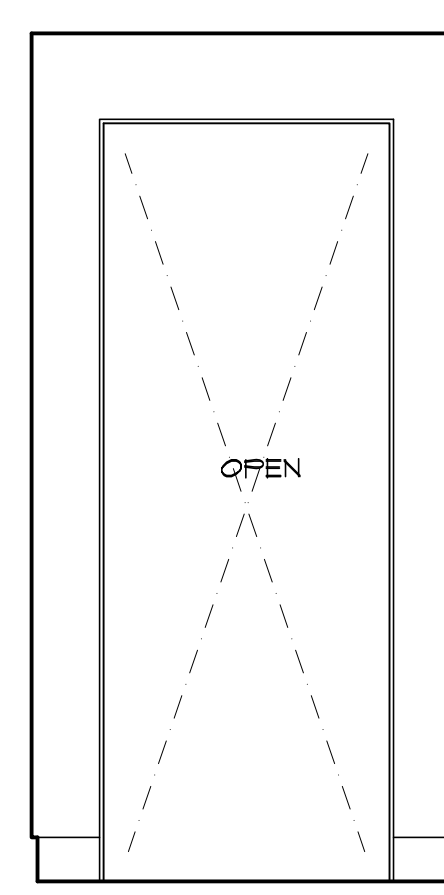
D



C CLOSET
SCALE: 1/2" = 1'-0"



D



D

636 Launika St.
Honolulu, HI 96819
Tel: 808-842-4929
Web: naninc.com

Nan Inc

Kapalua Mauka Mahana Estates - Model A1

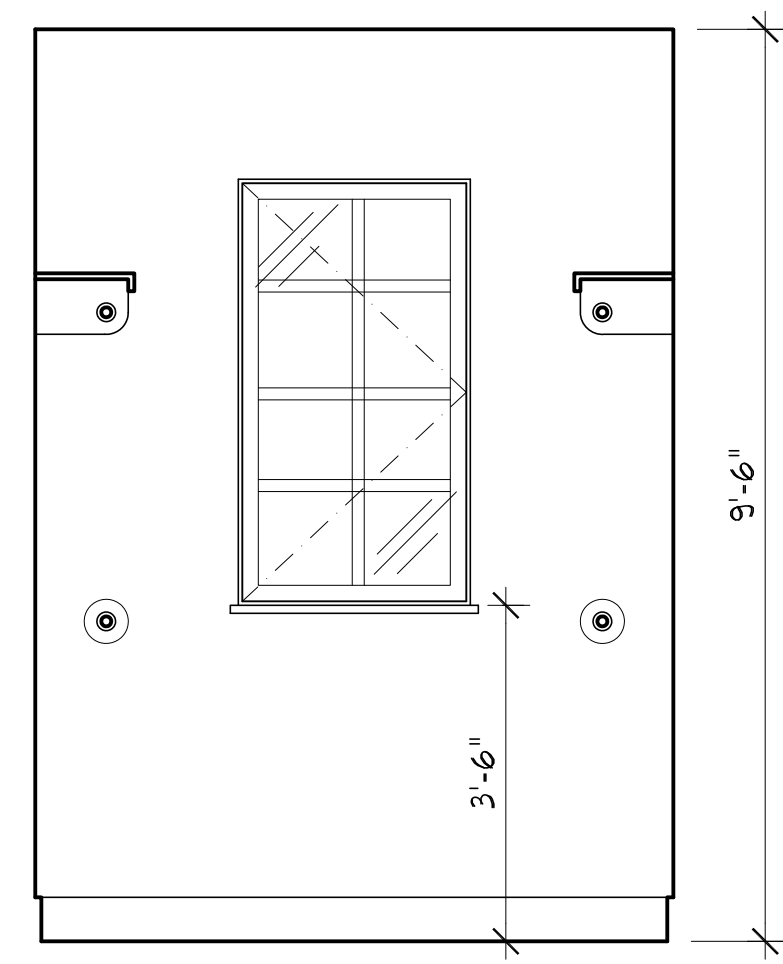
Kapalua, Maui, Hawaii
INTERIOR ELEVATIONS

REVISIONS:
01/20/2018 - R01
02/20/2018 - R02
03/10/2018 - R03
03/10/2018 - R04
03/10/2018 - R05

SHEET - OF -

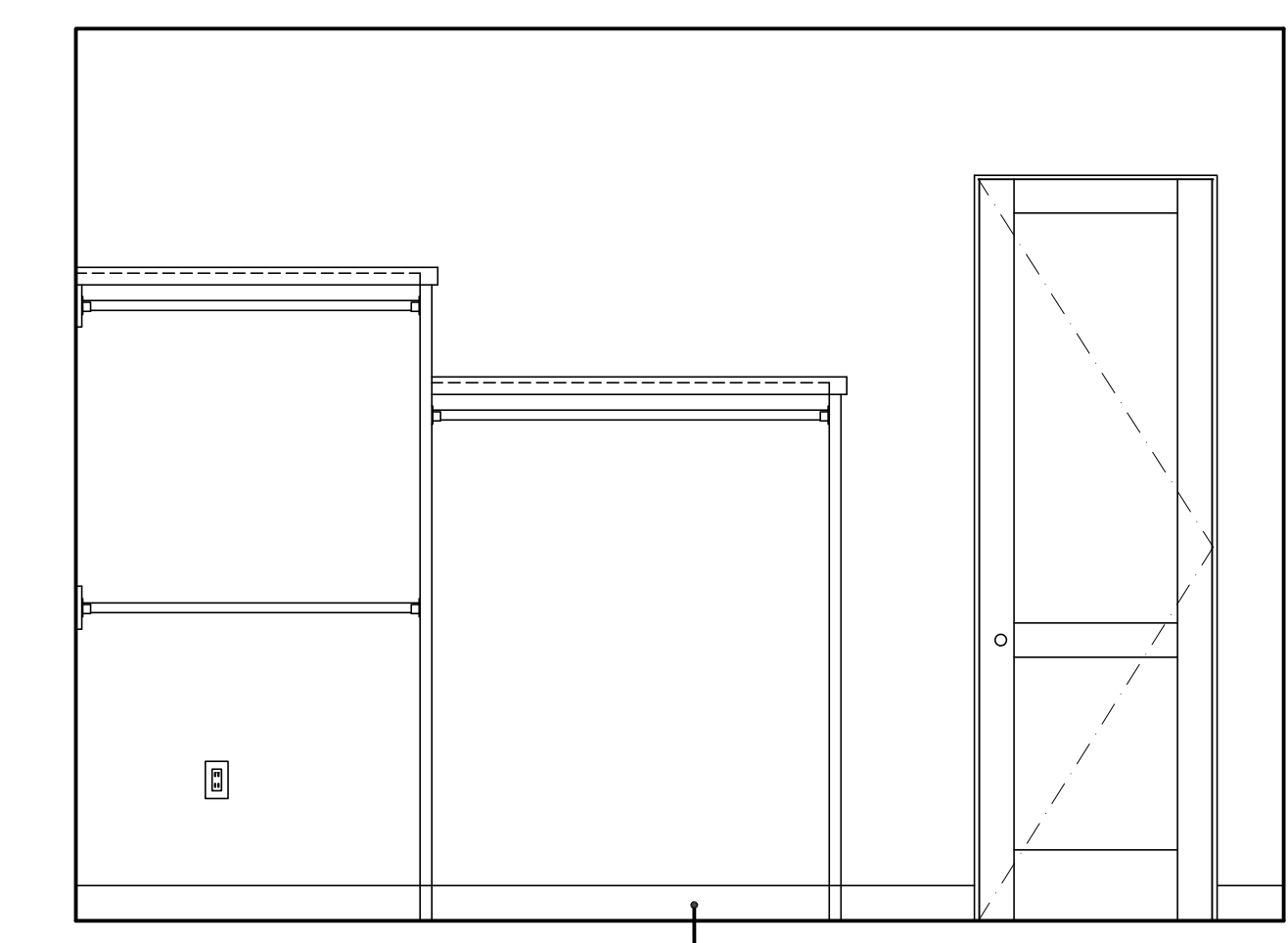
A-8.4

DATE: -

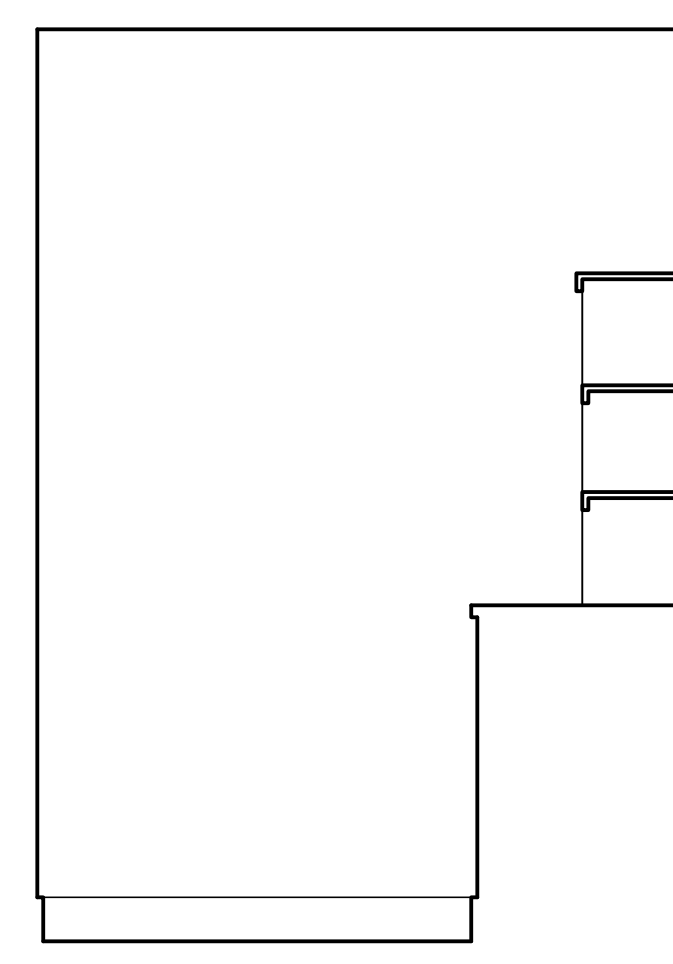


A MASTER CLOSET
SCALE: 1/2" = 1'-0"

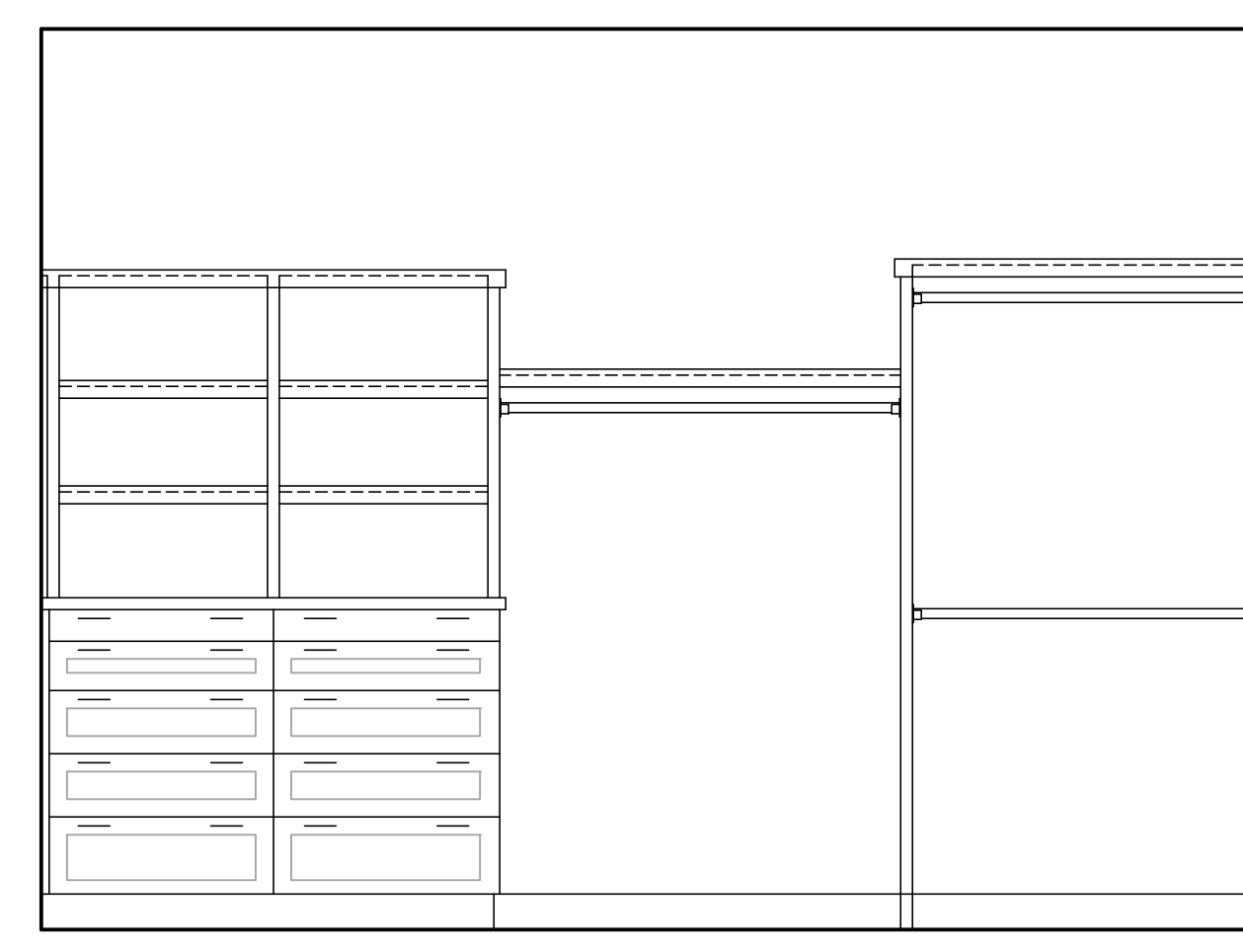
* PLEASE REFER TO CABINET SHOP DRAWINGS.



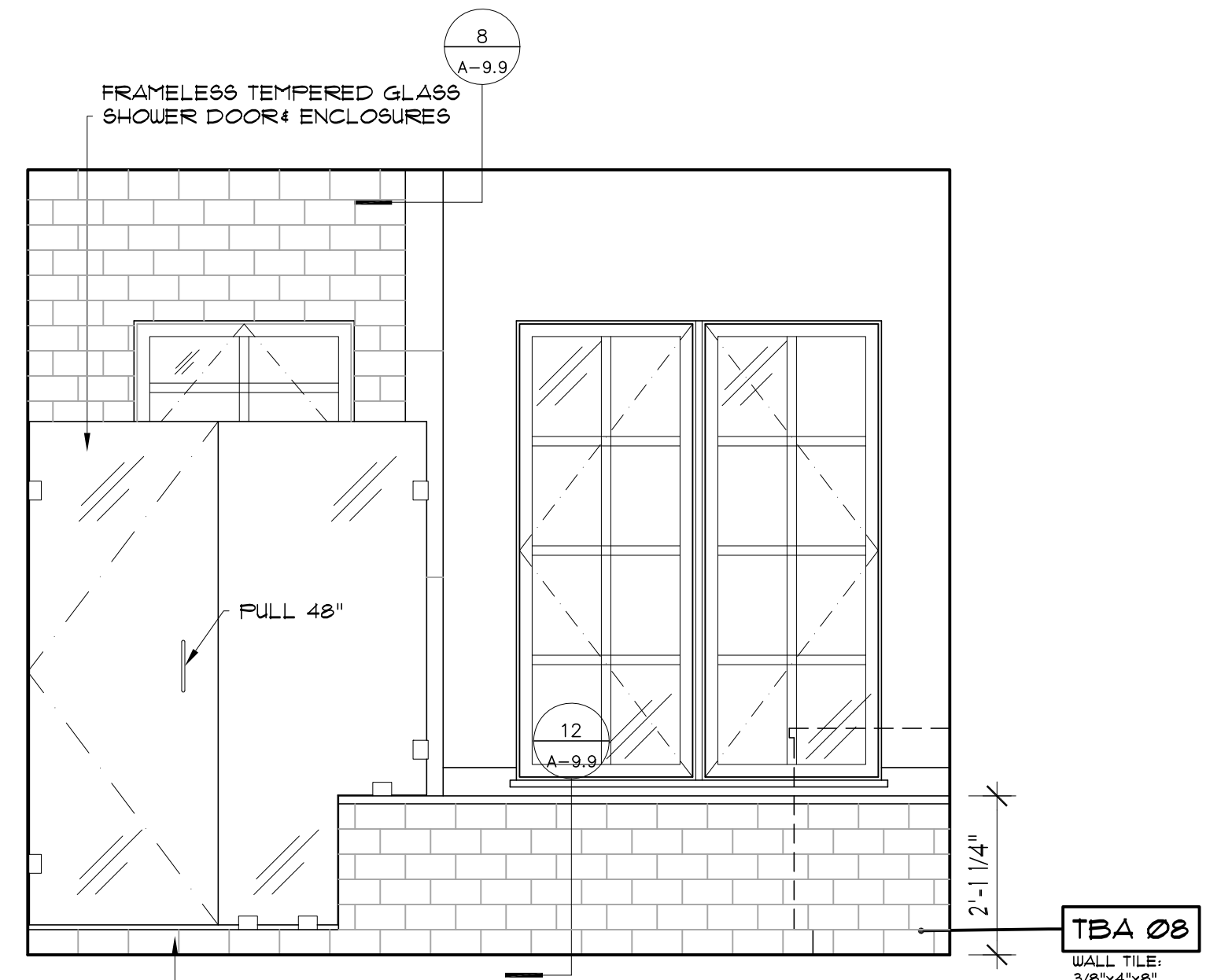
B



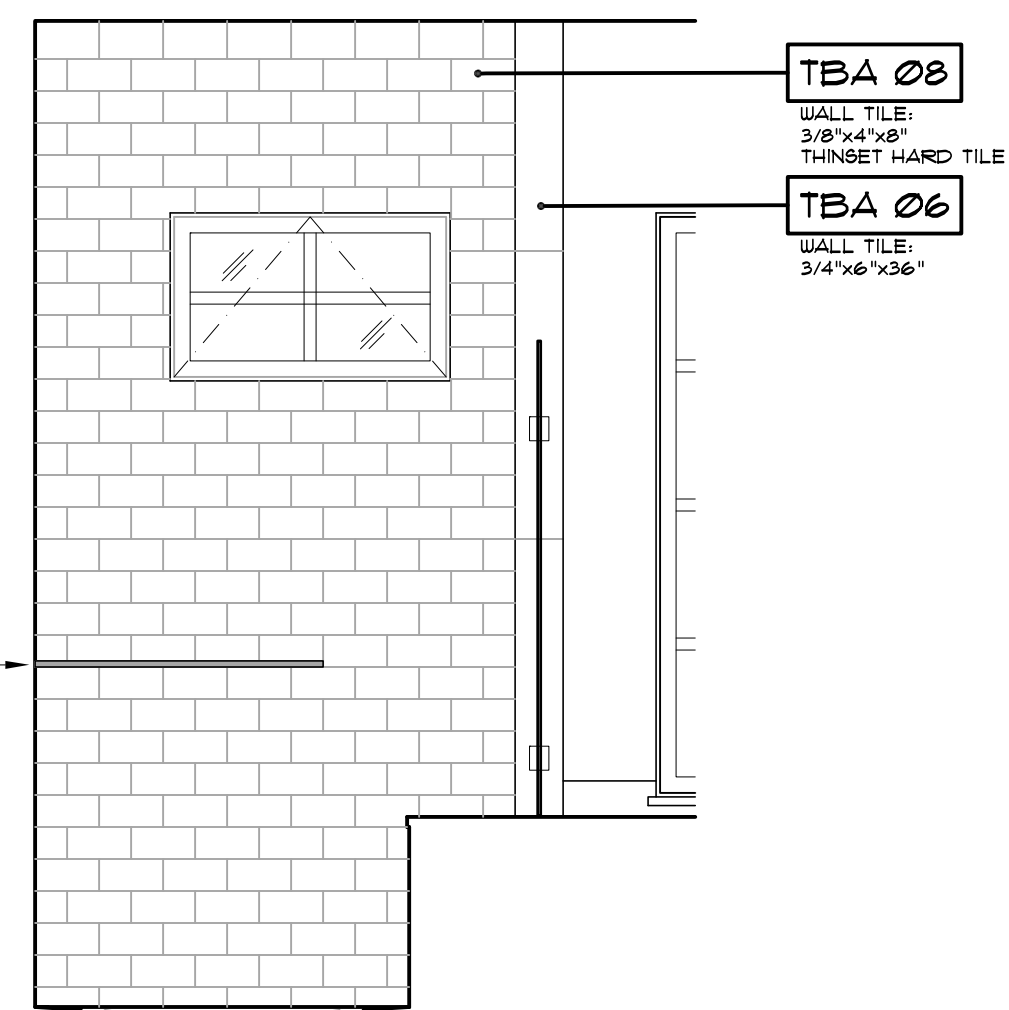
C



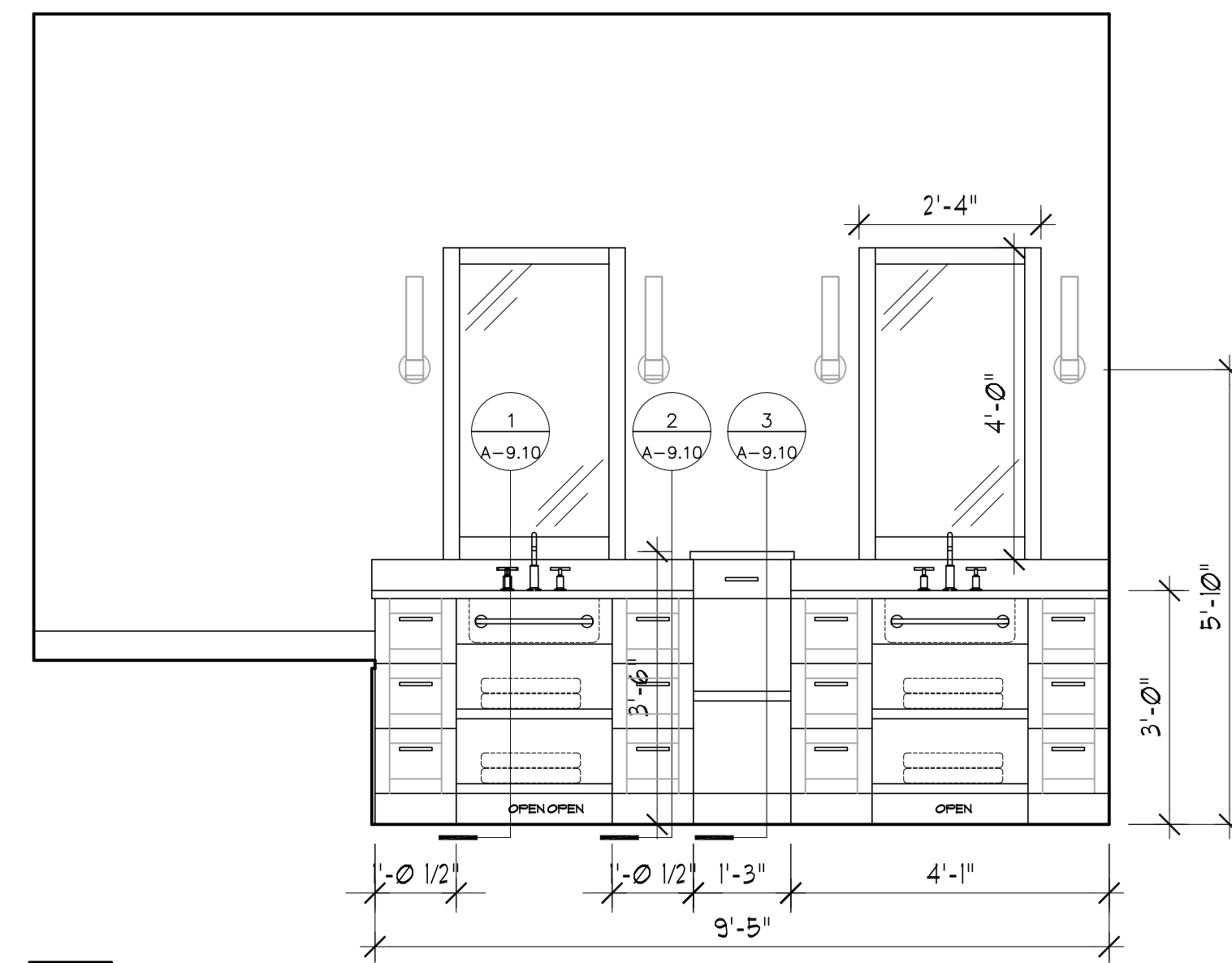
D



A MASTER BATH
SCALE: 1/2" = 1'-0"

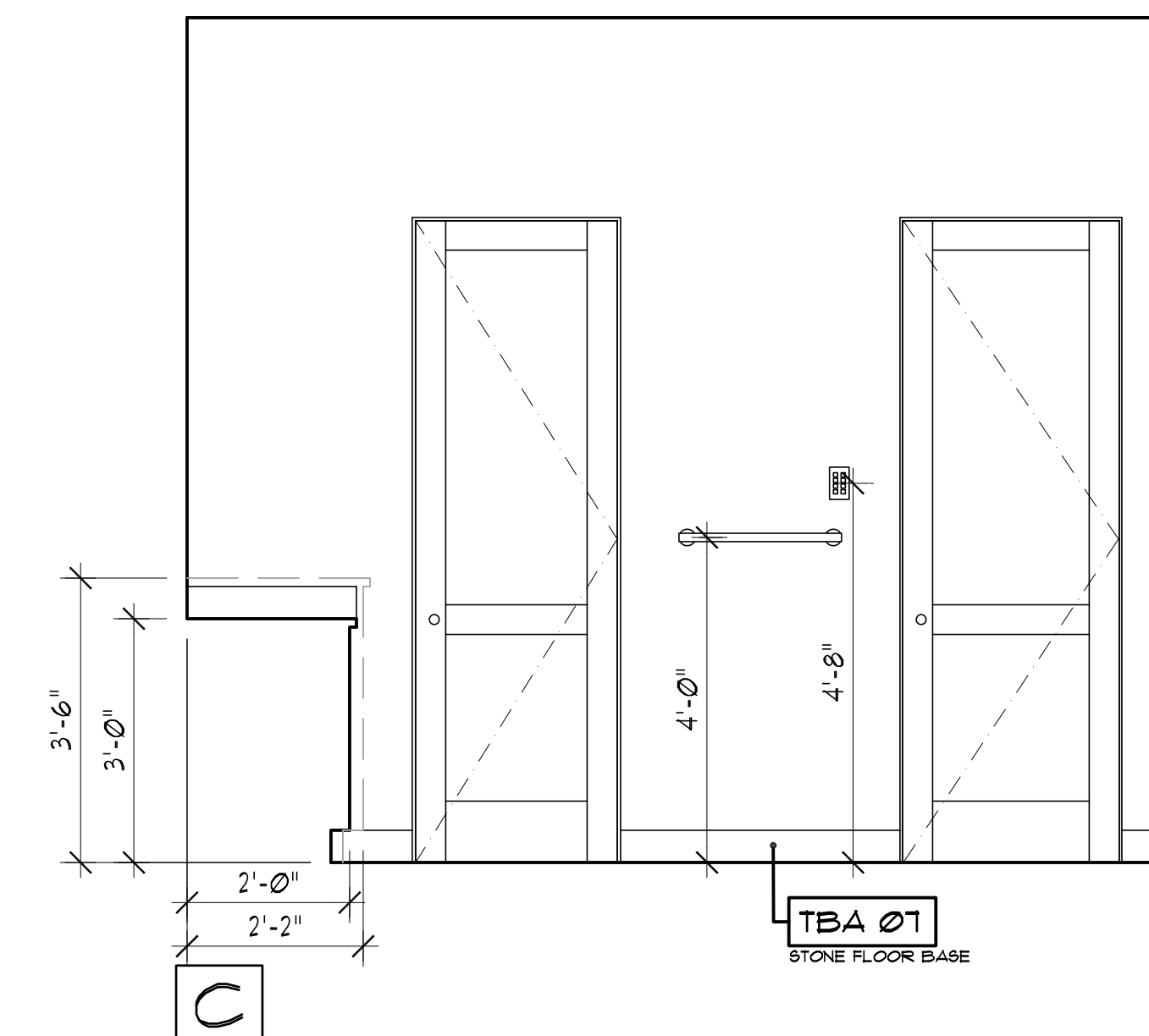


A MASTER BATH (SHOWER)
SCALE: 1/2" = 1'-0"

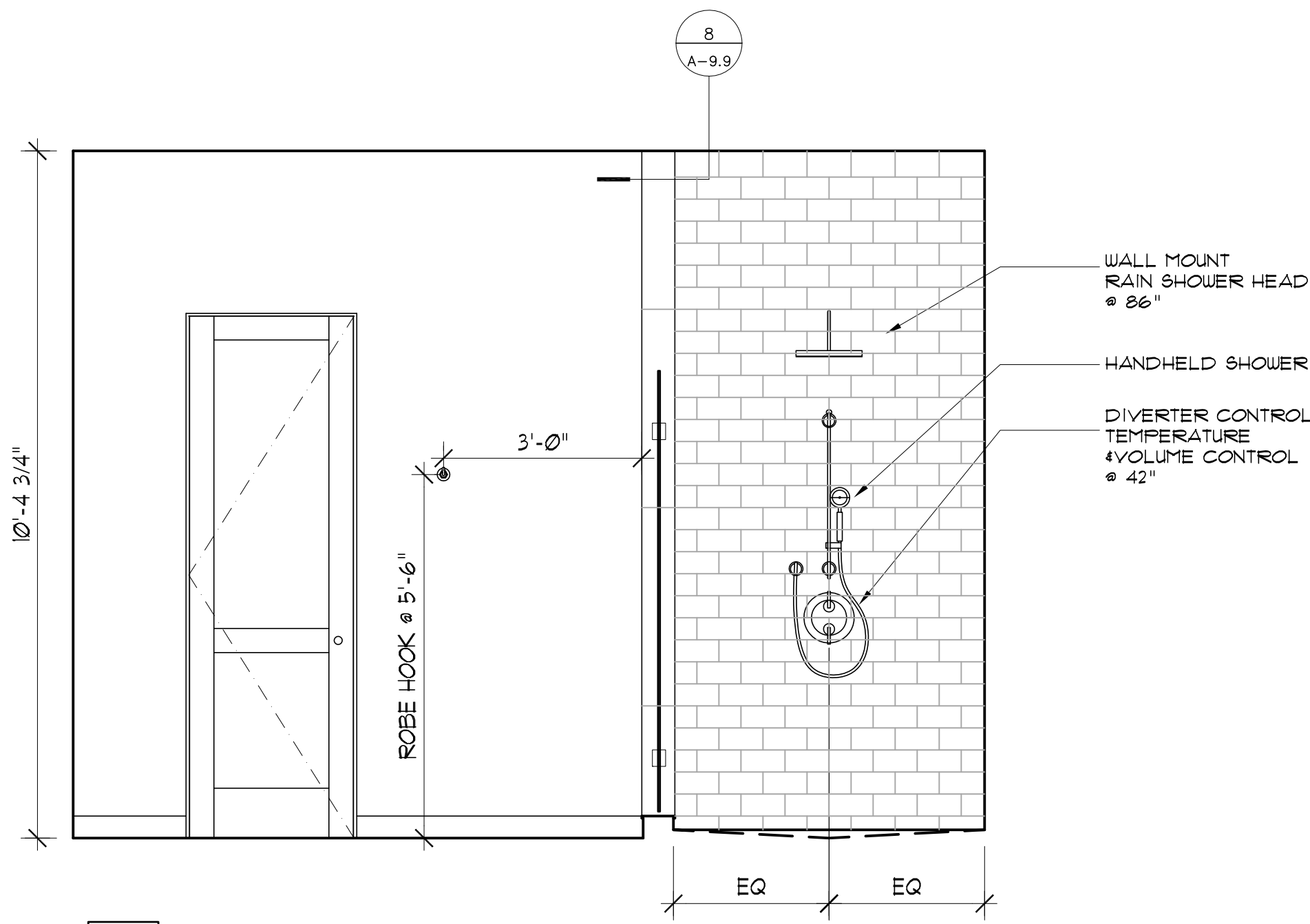


B

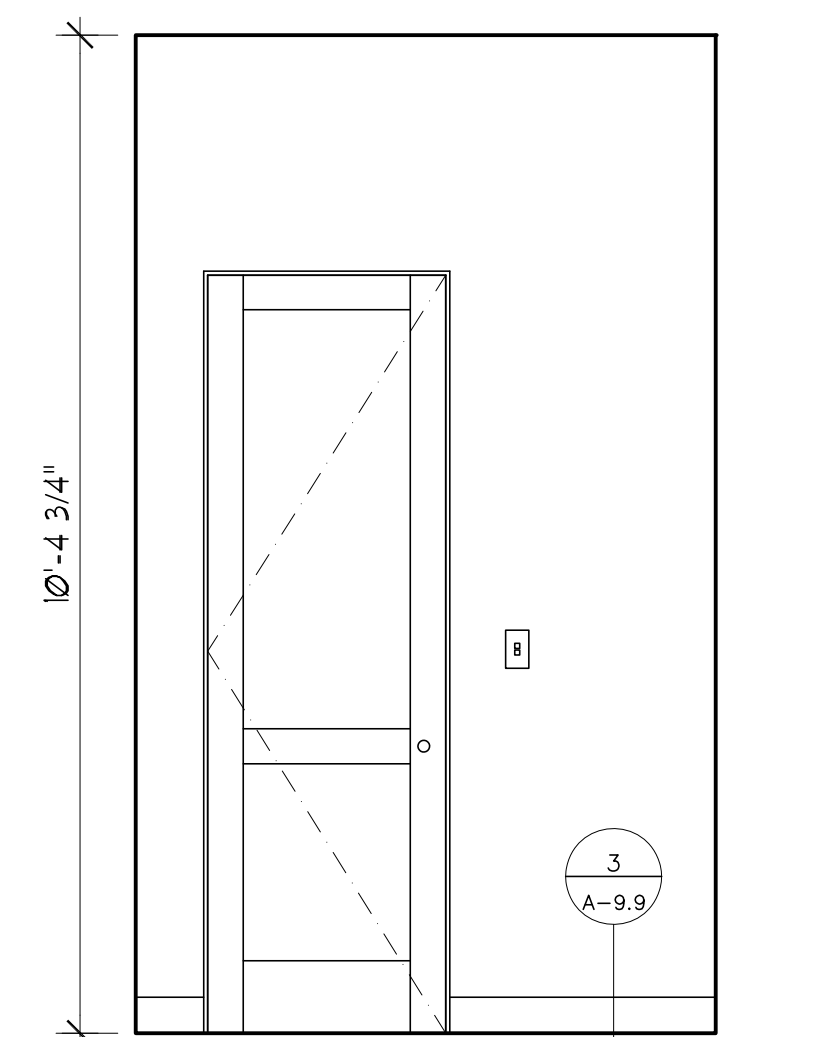
* PLEASE REFER TO CABINET SHOP DRAWINGS.



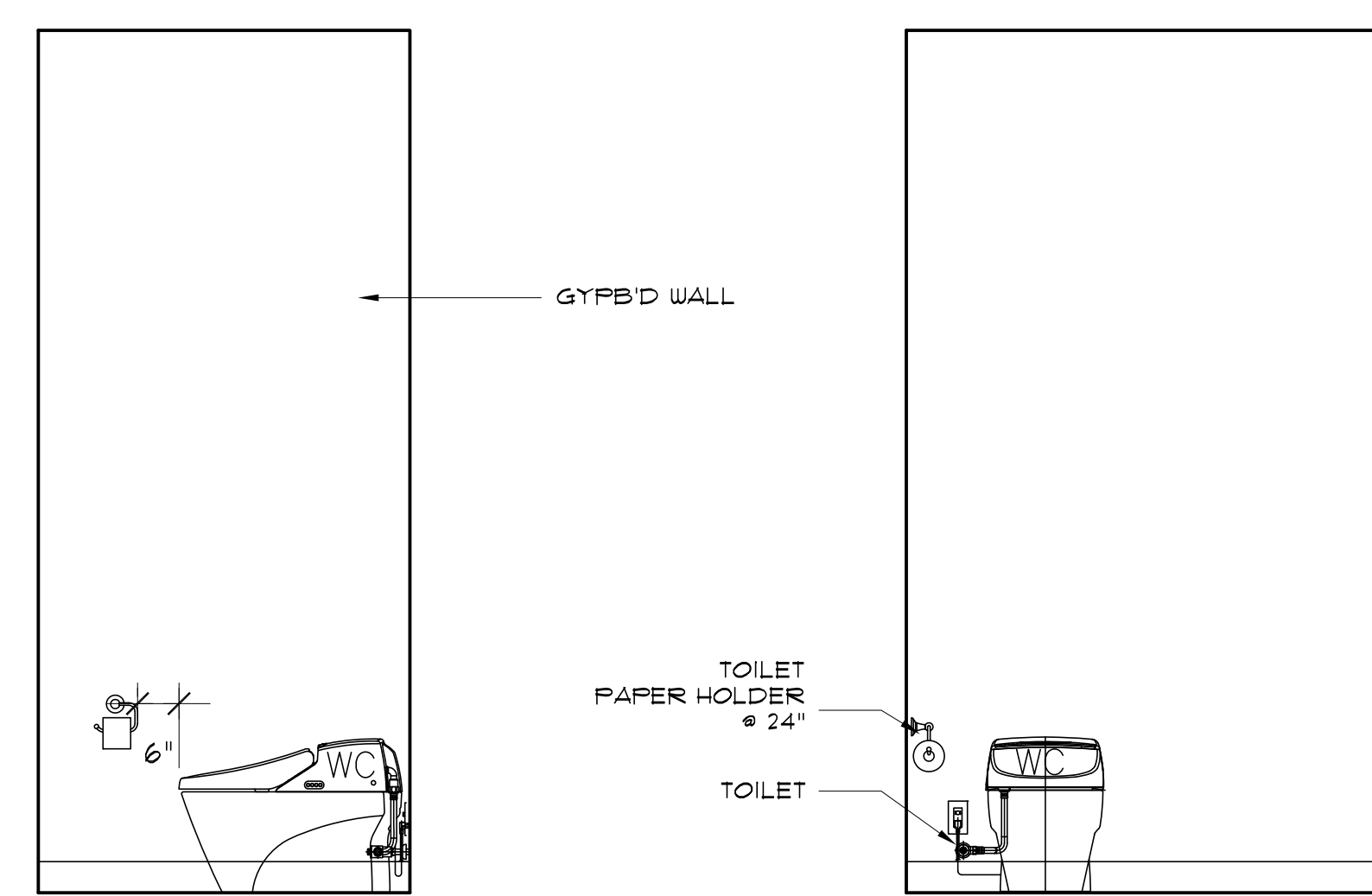
C



D



A MASTER BATH (TOILET)
SCALE: 1/2" = 1'-0"



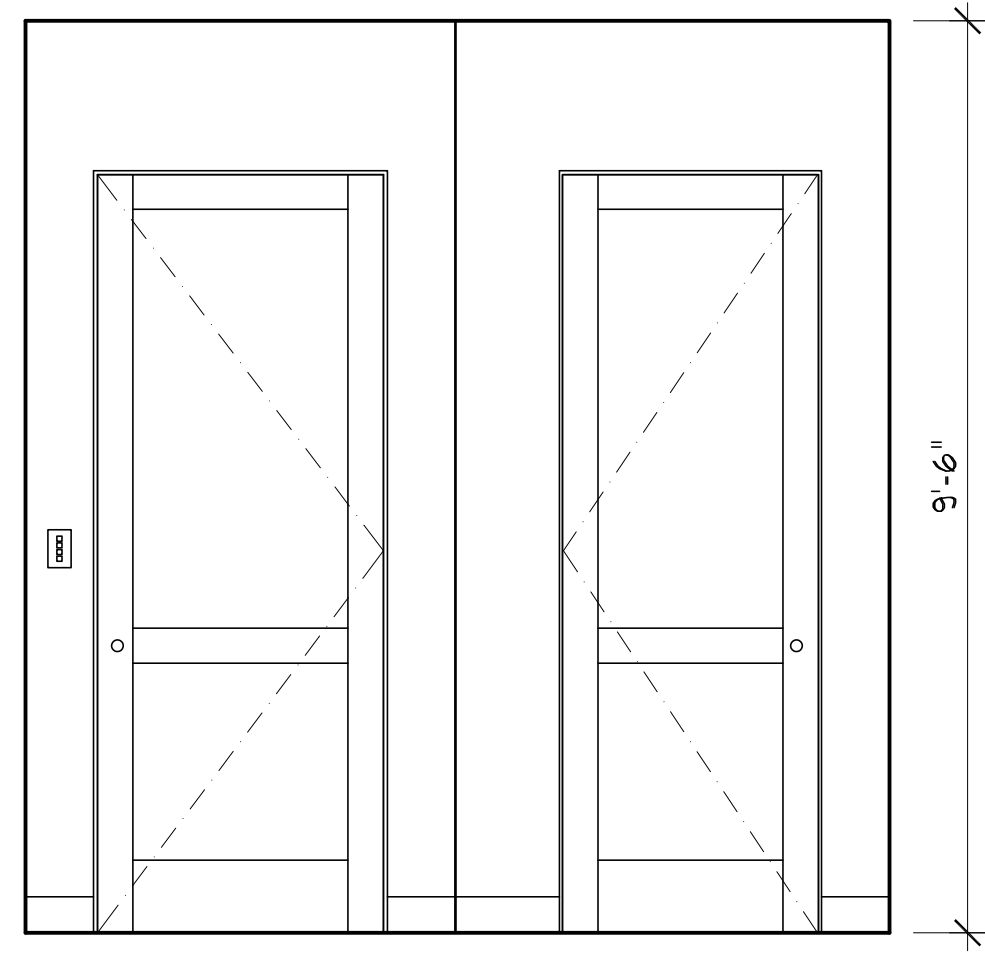
B



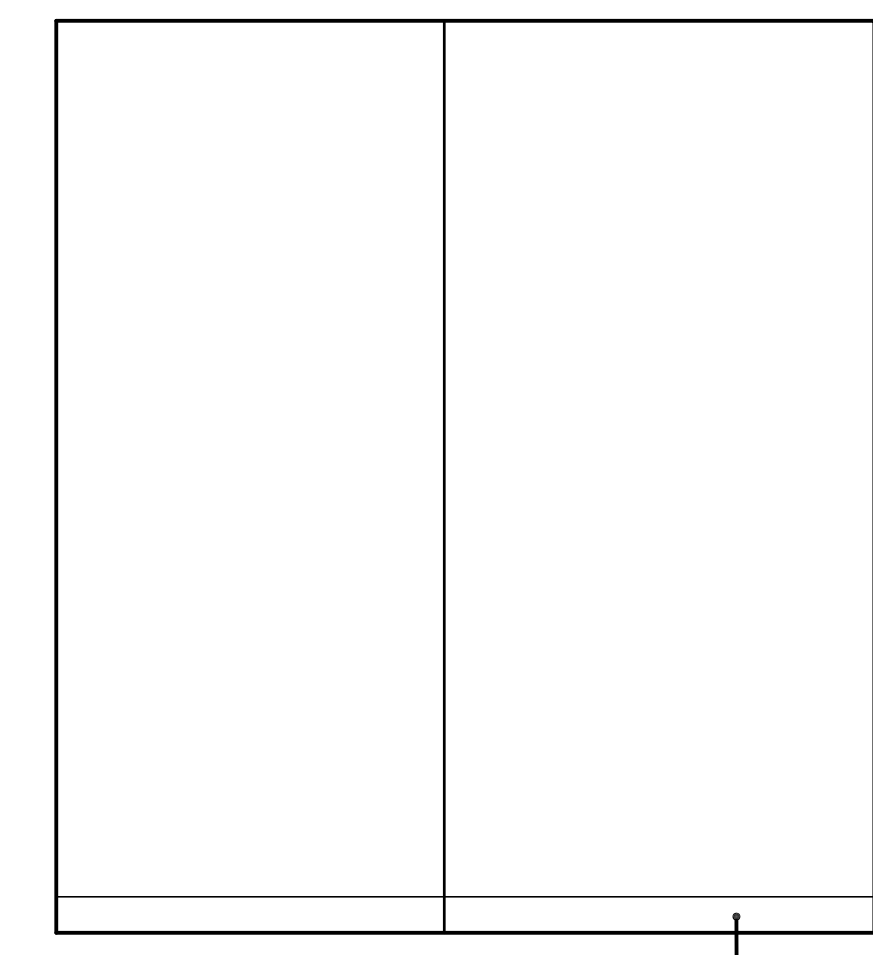
C



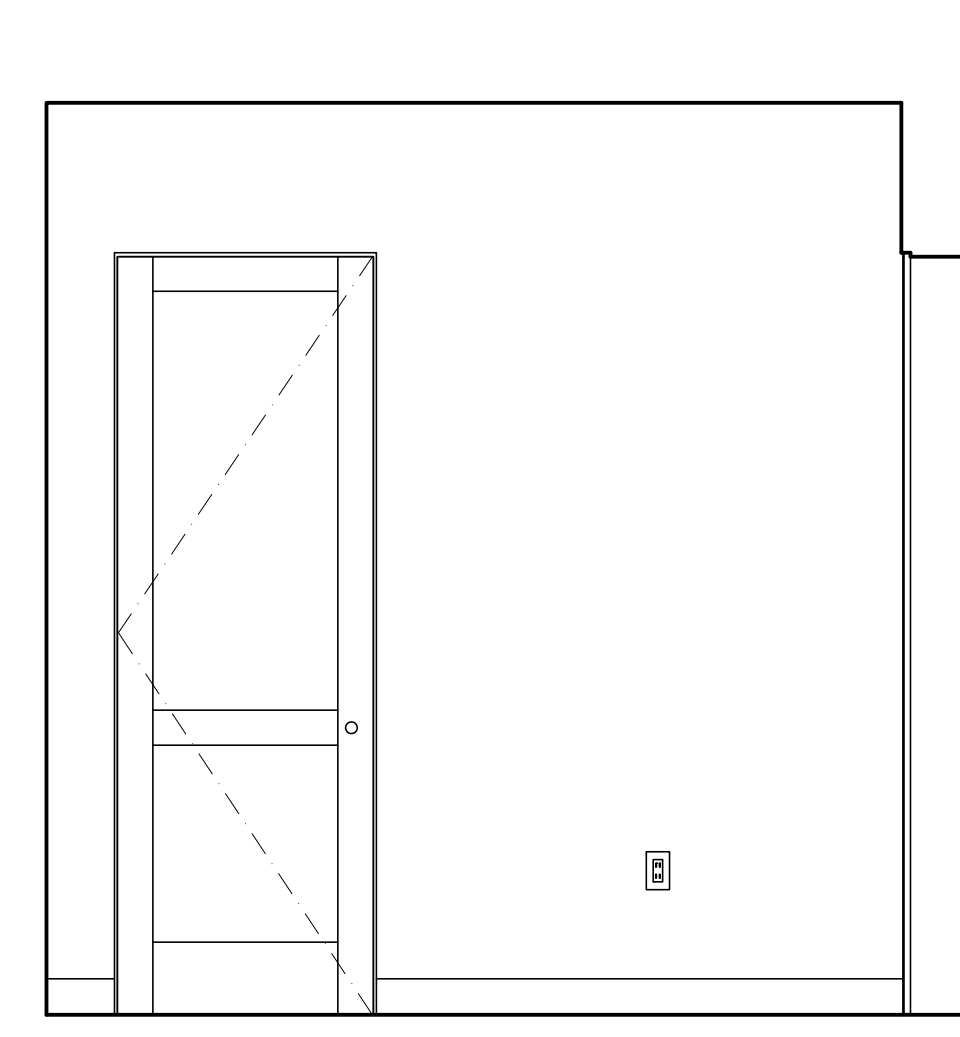
D



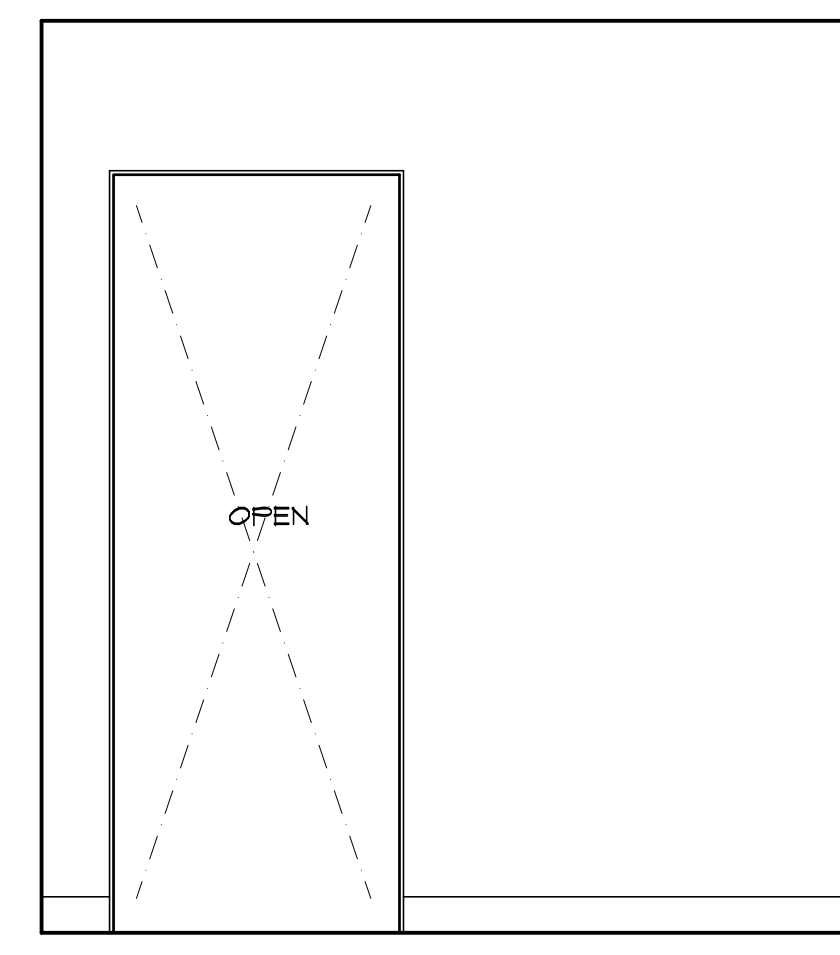
A BEDROOM 1 ALCOVE
SCALE: 1/2"=1'-0"



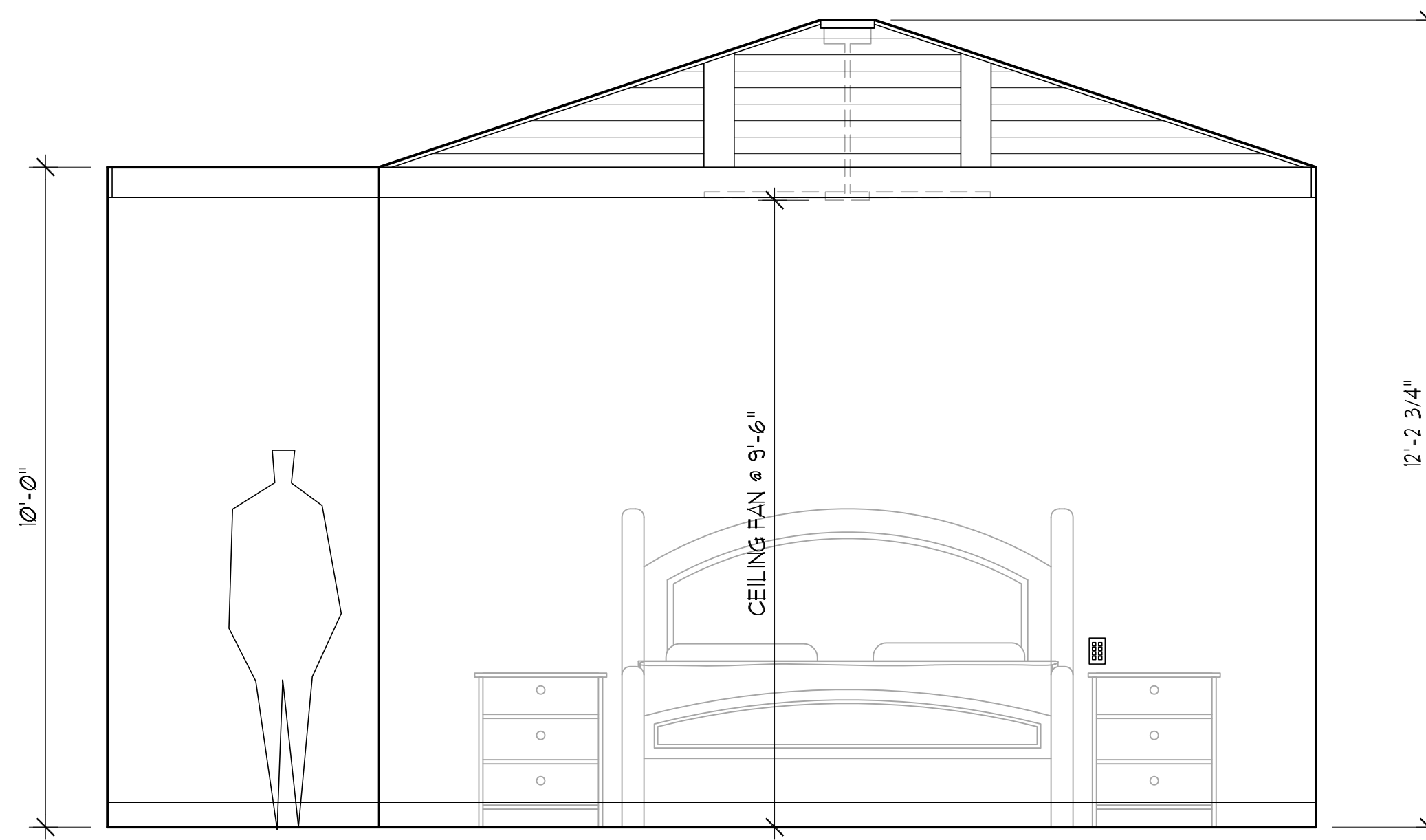
B



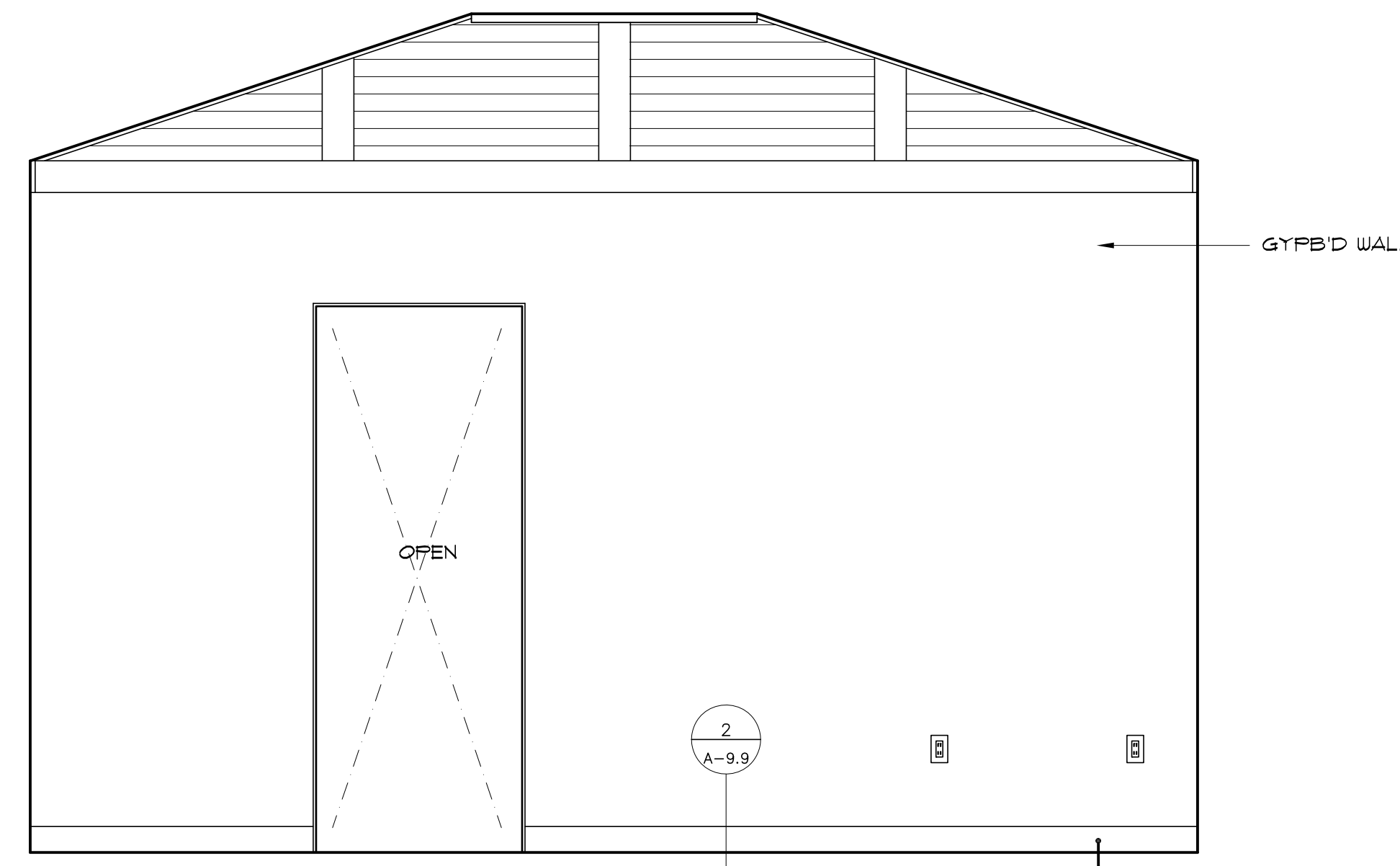
C



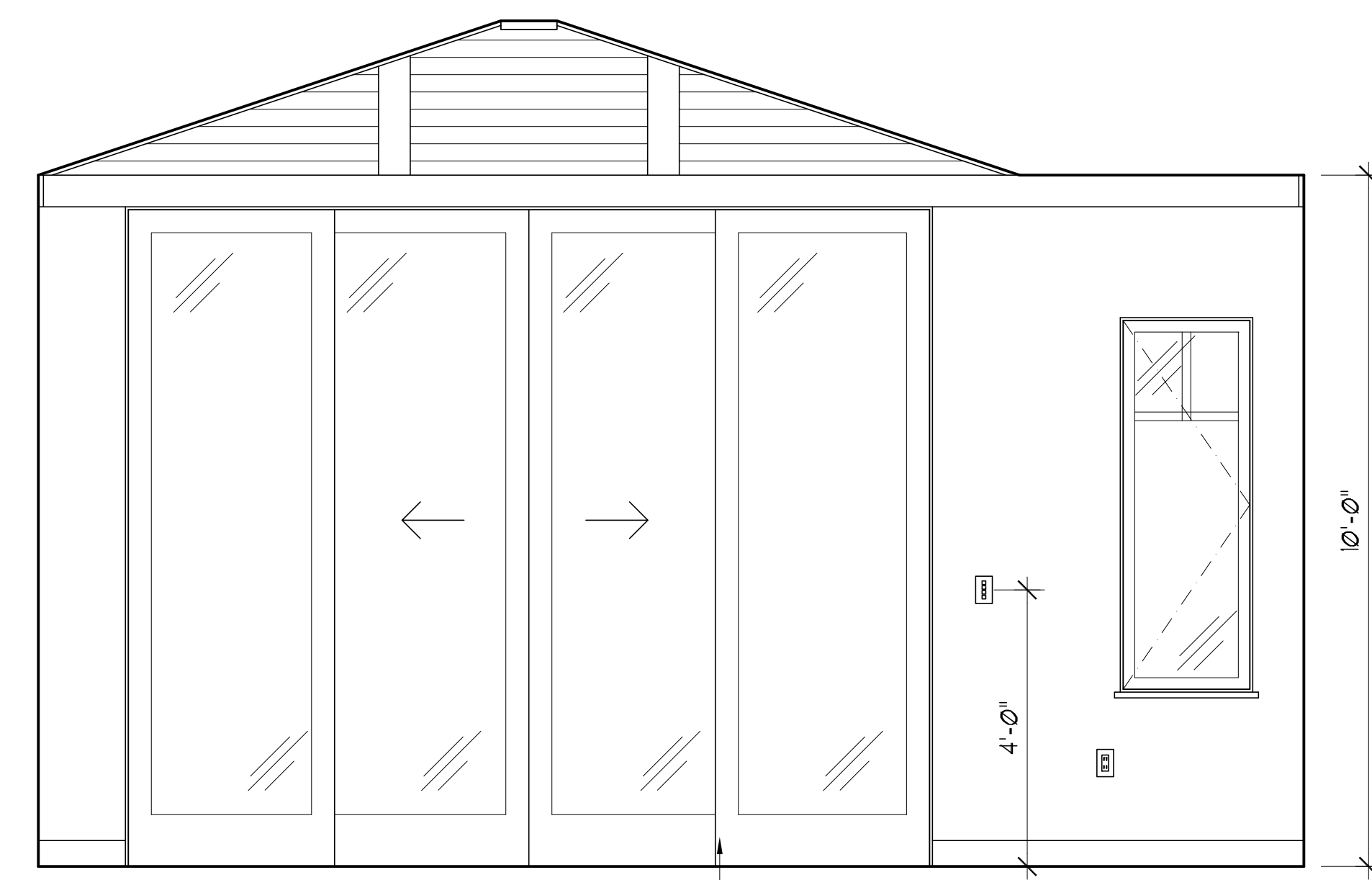
D



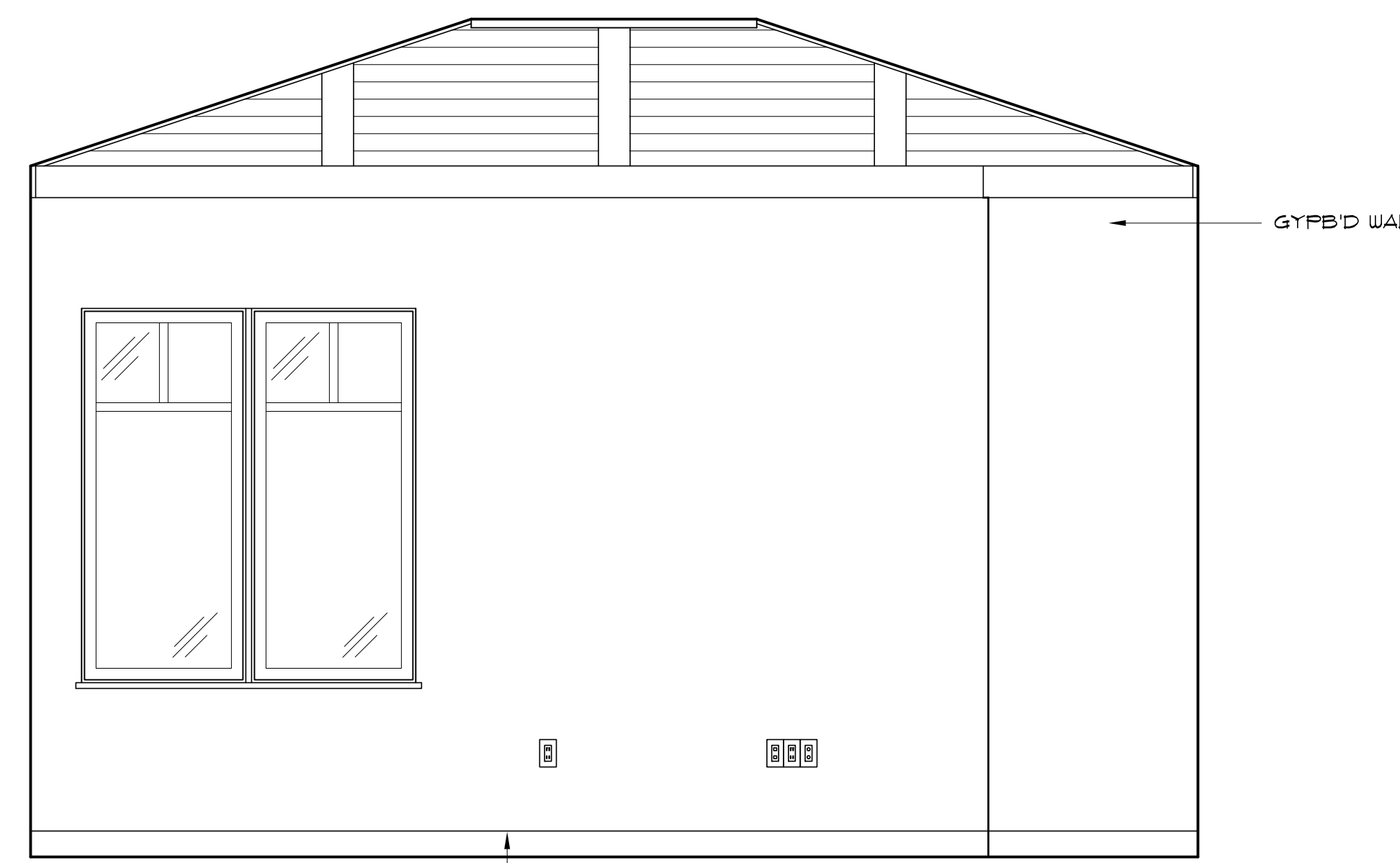
A BEDROOM 1
SCALE: 1/2"=1'-0"
* KEYPAD INSTALLATION: PLEASE CHECK FURNITURE HEIGHT.



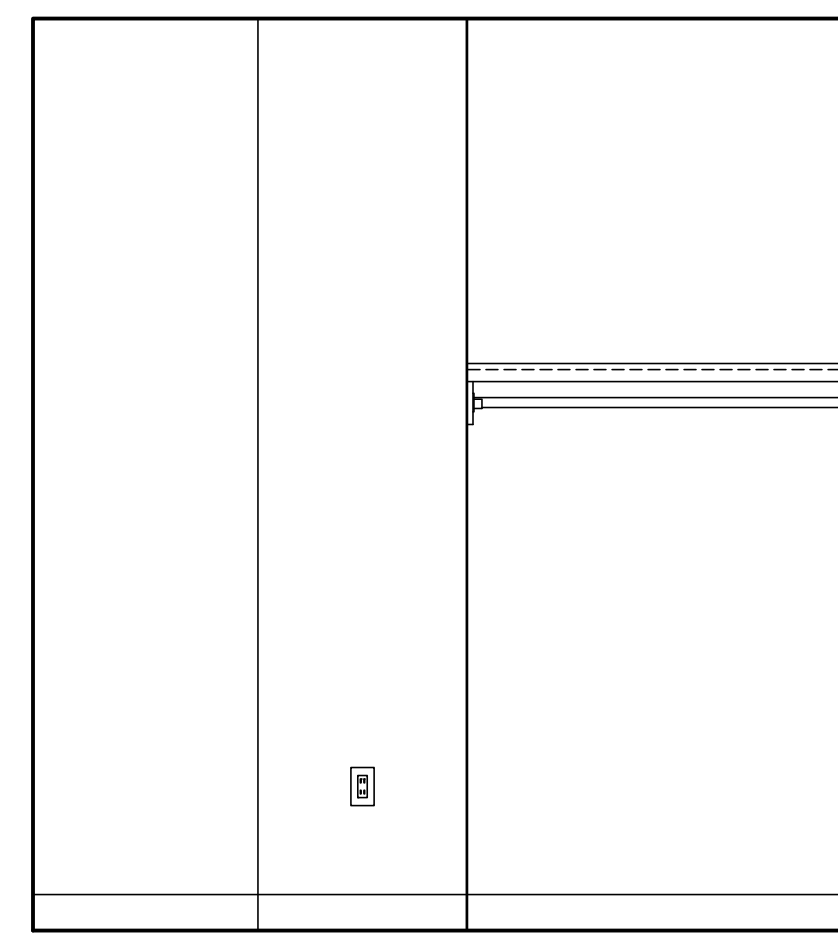
B



C

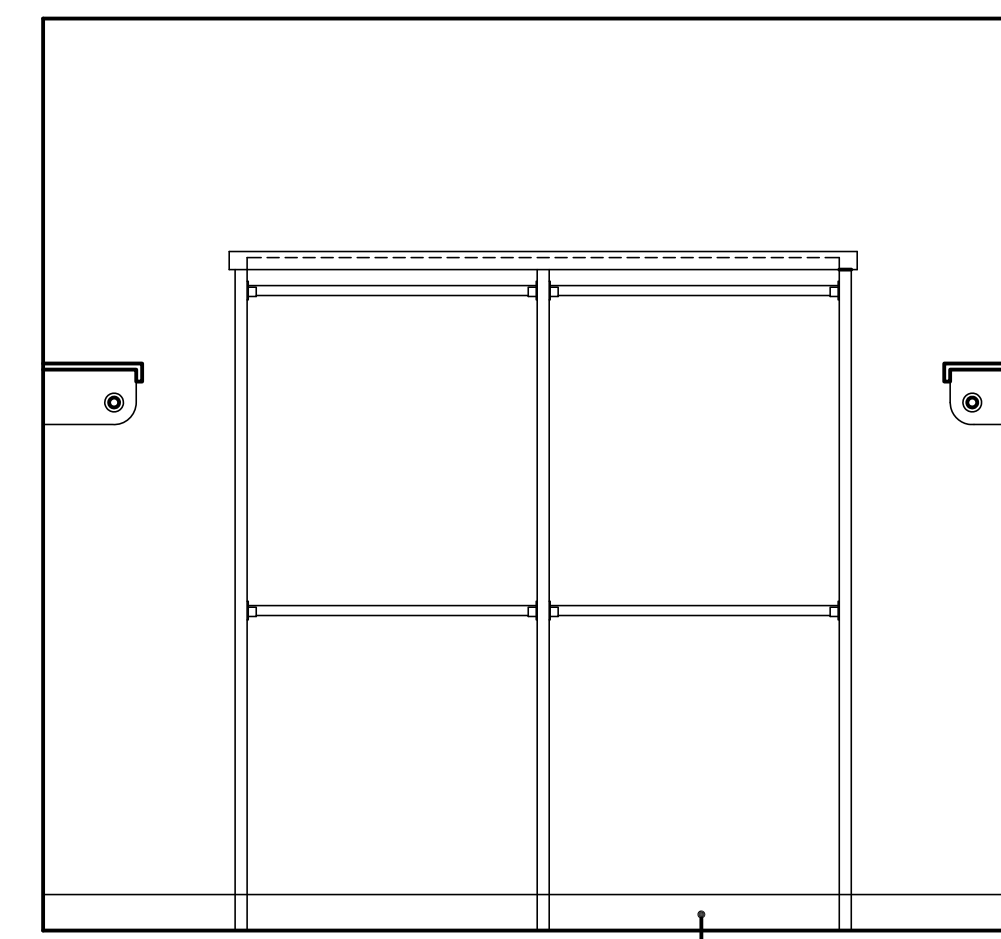


D

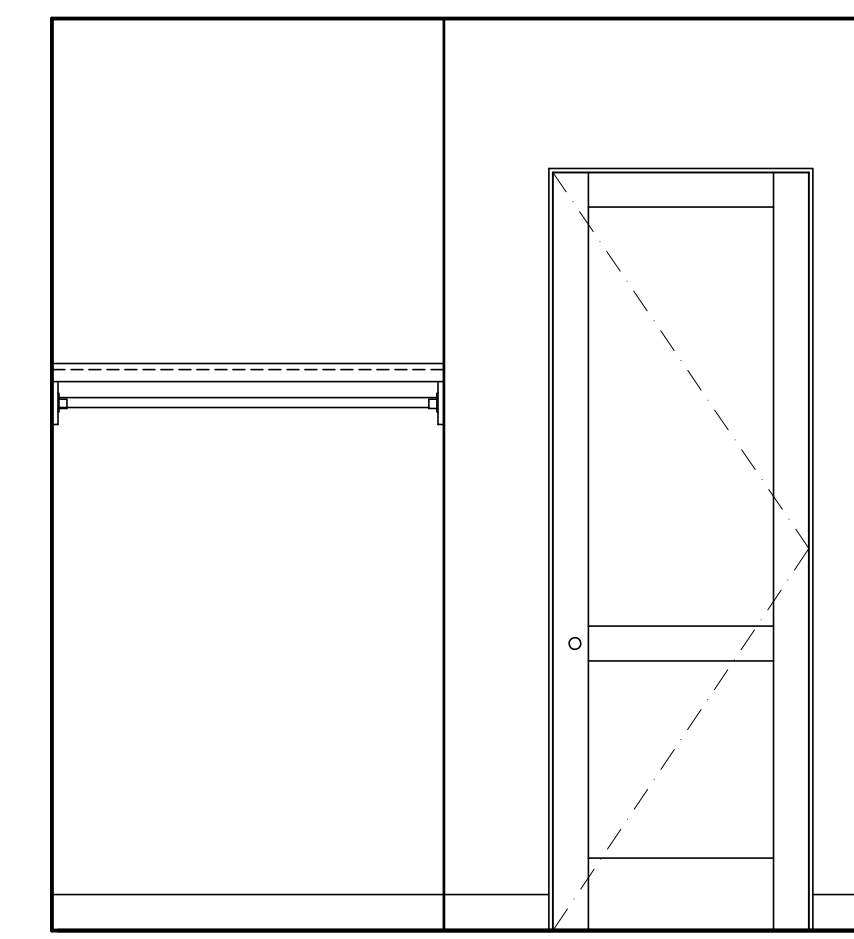


A BEDROOM 1 CLOSET
SCALE: 1/2"=1'-0"

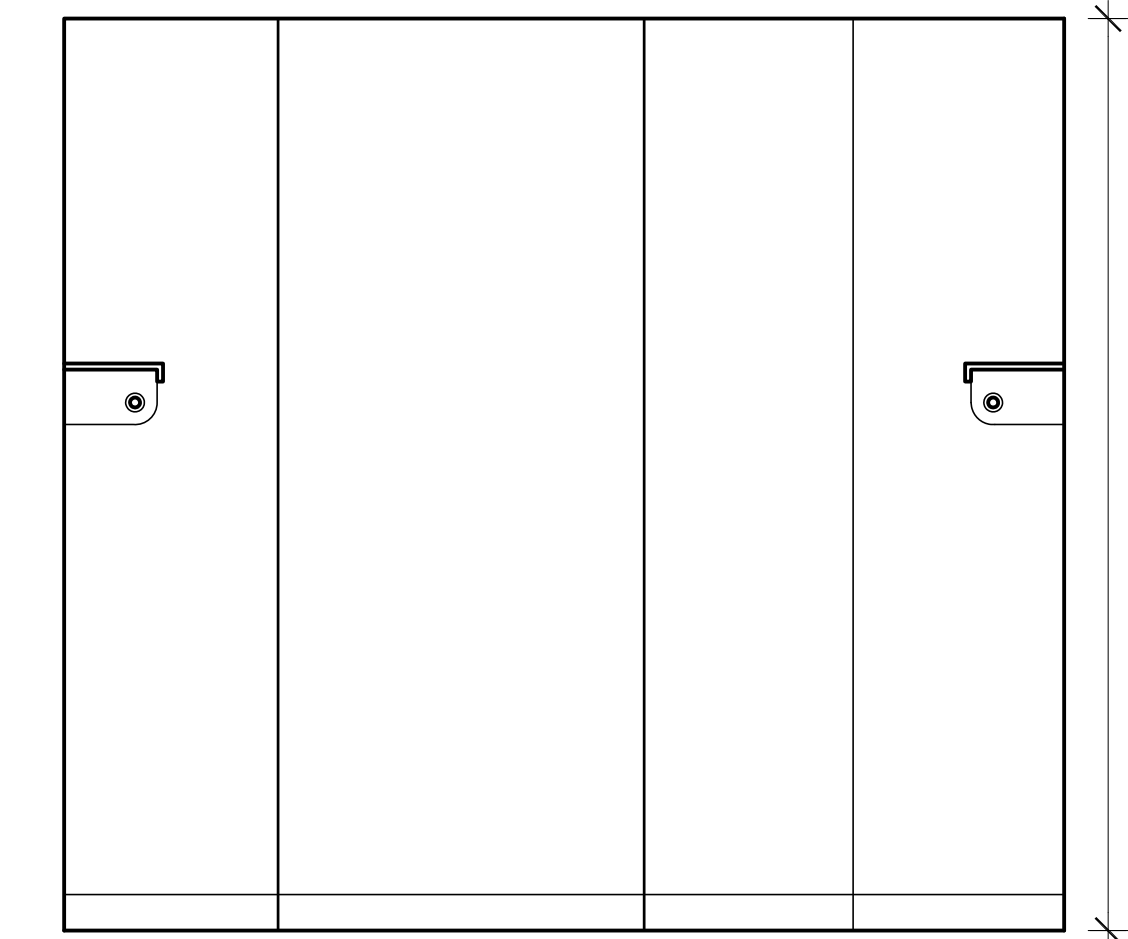
* PLEASE REFER TO CABINET SHOP DRAWINGS.



B



C



D

636 Launika St.
Honolulu, HI 96819
Tel: 808-842-4929
Web: nanainc.com

Nan Inc

Kapalua Mauka Mahana Estates - Model A1

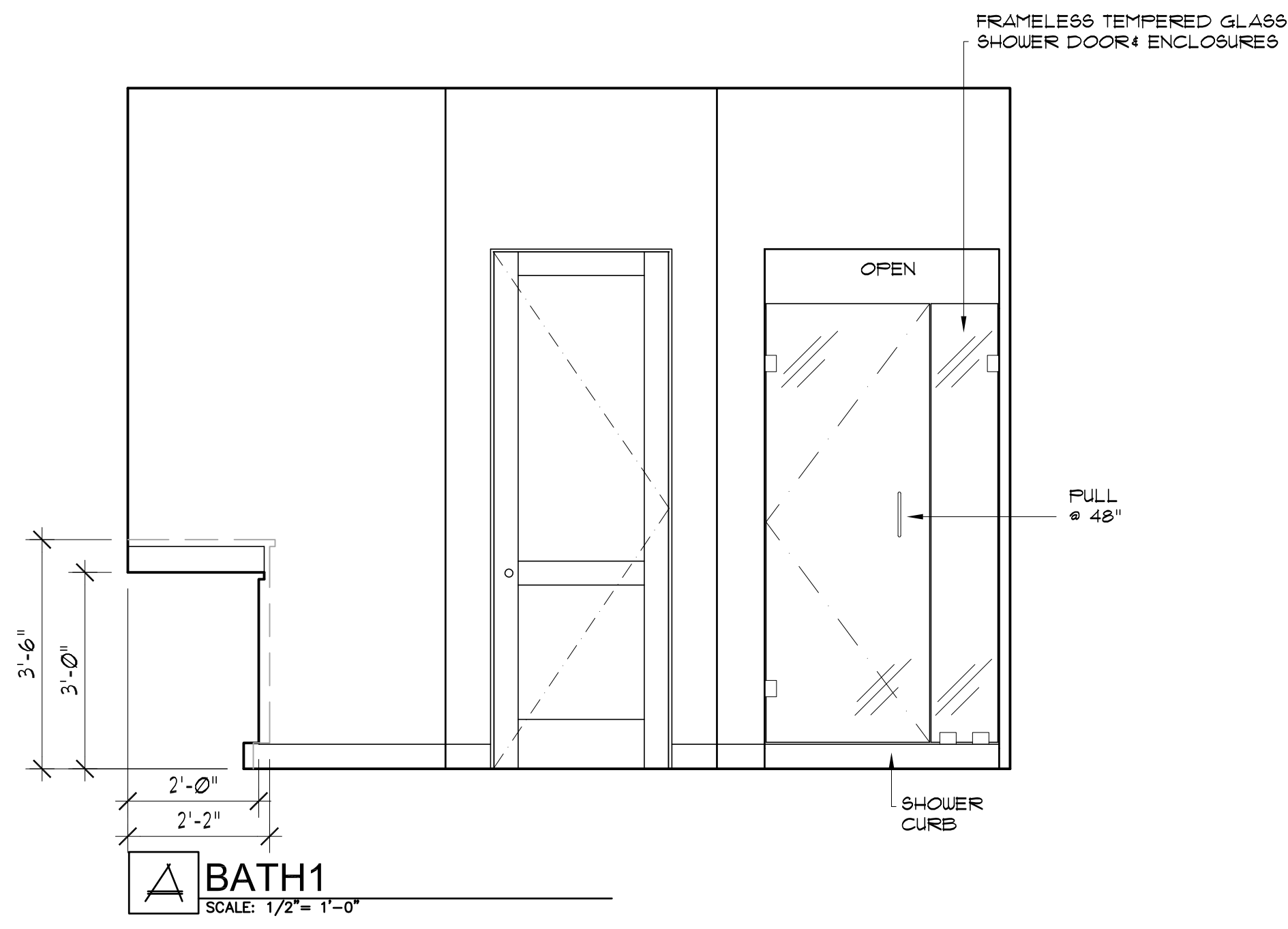
Kapalua, Maui, Hawaii
INTERIOR ELEVATIONS

REVISIONS:
DATE: -
BY: -
CHK: -

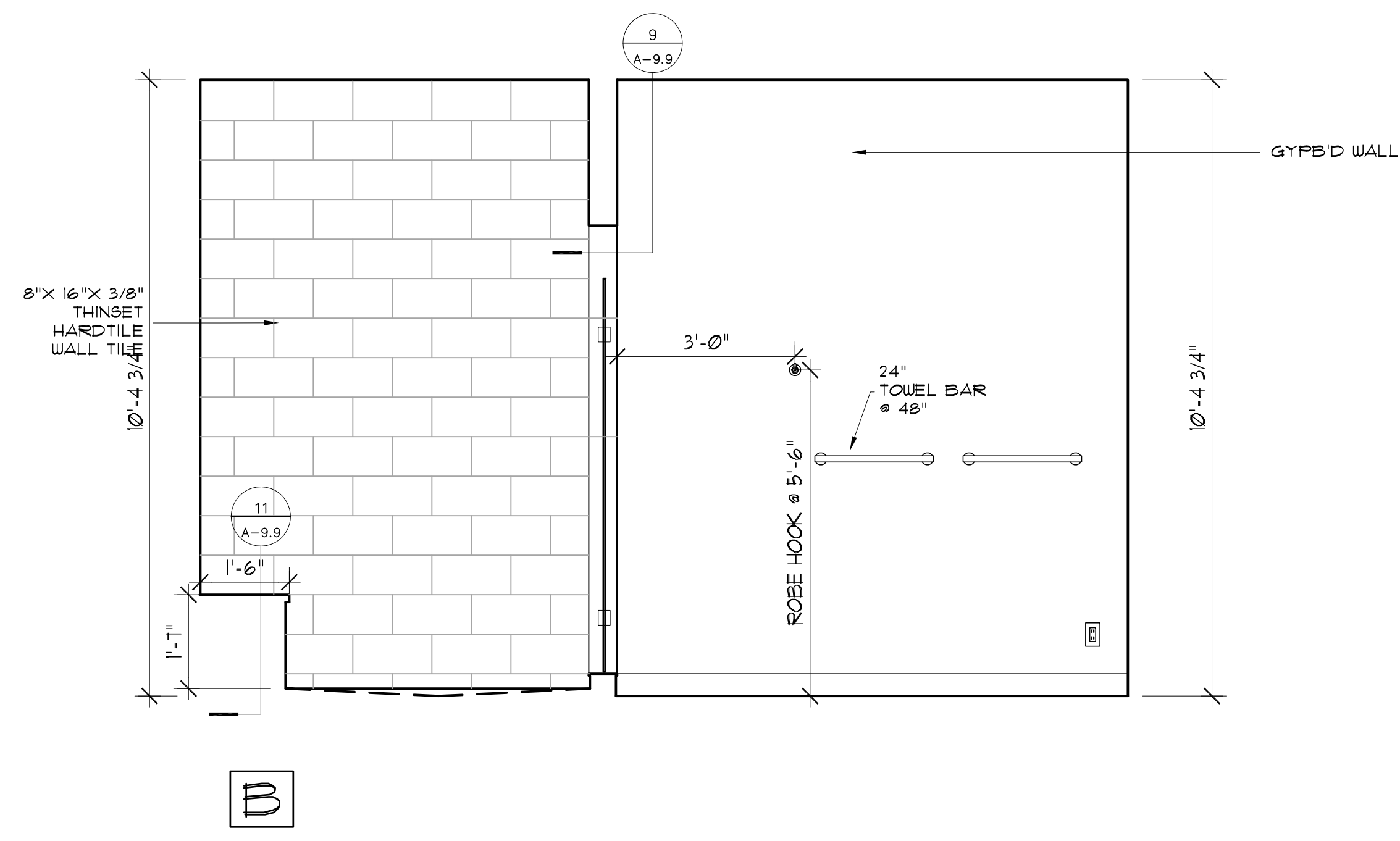
SHEET - OF -

A-8.1

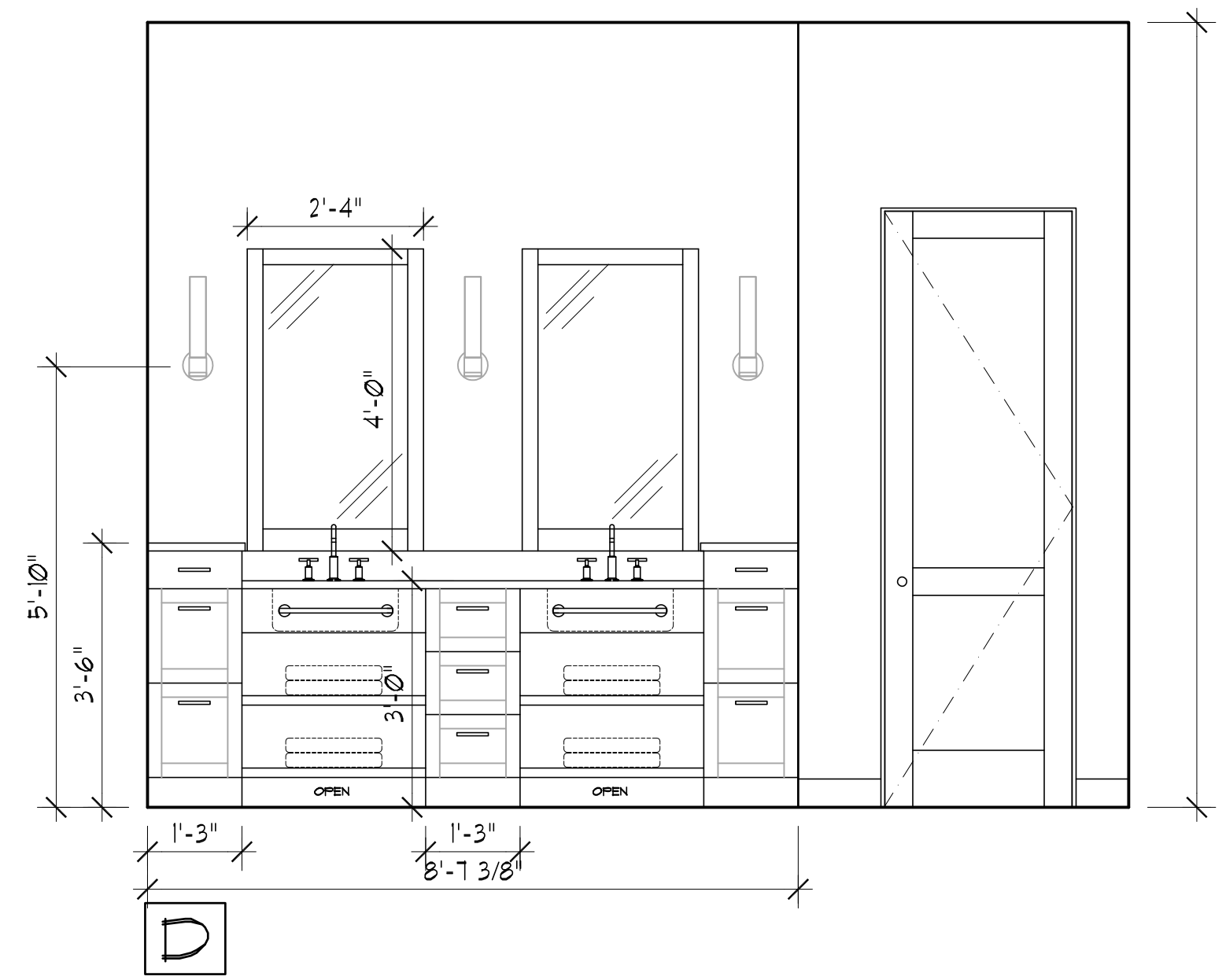
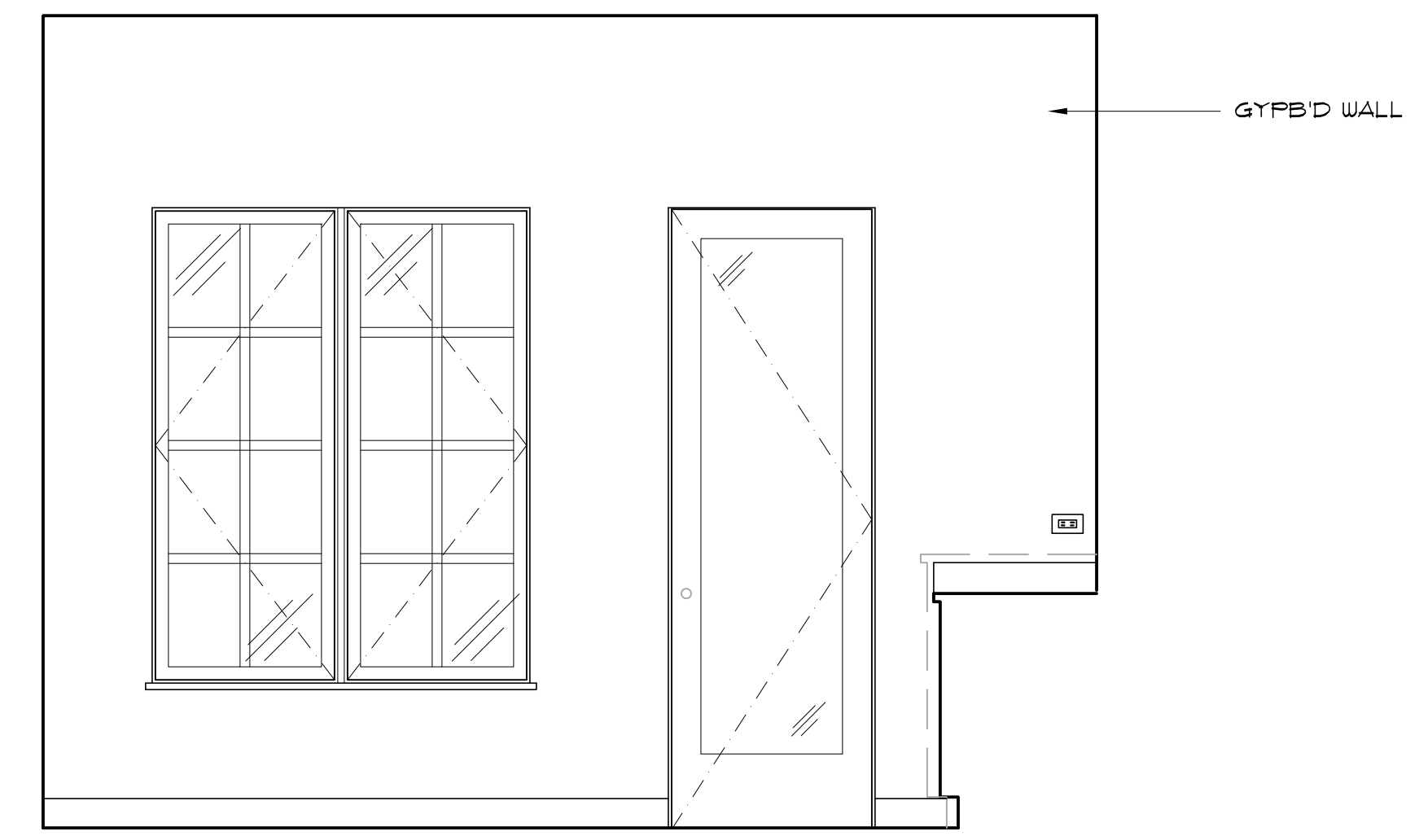
DATE: -



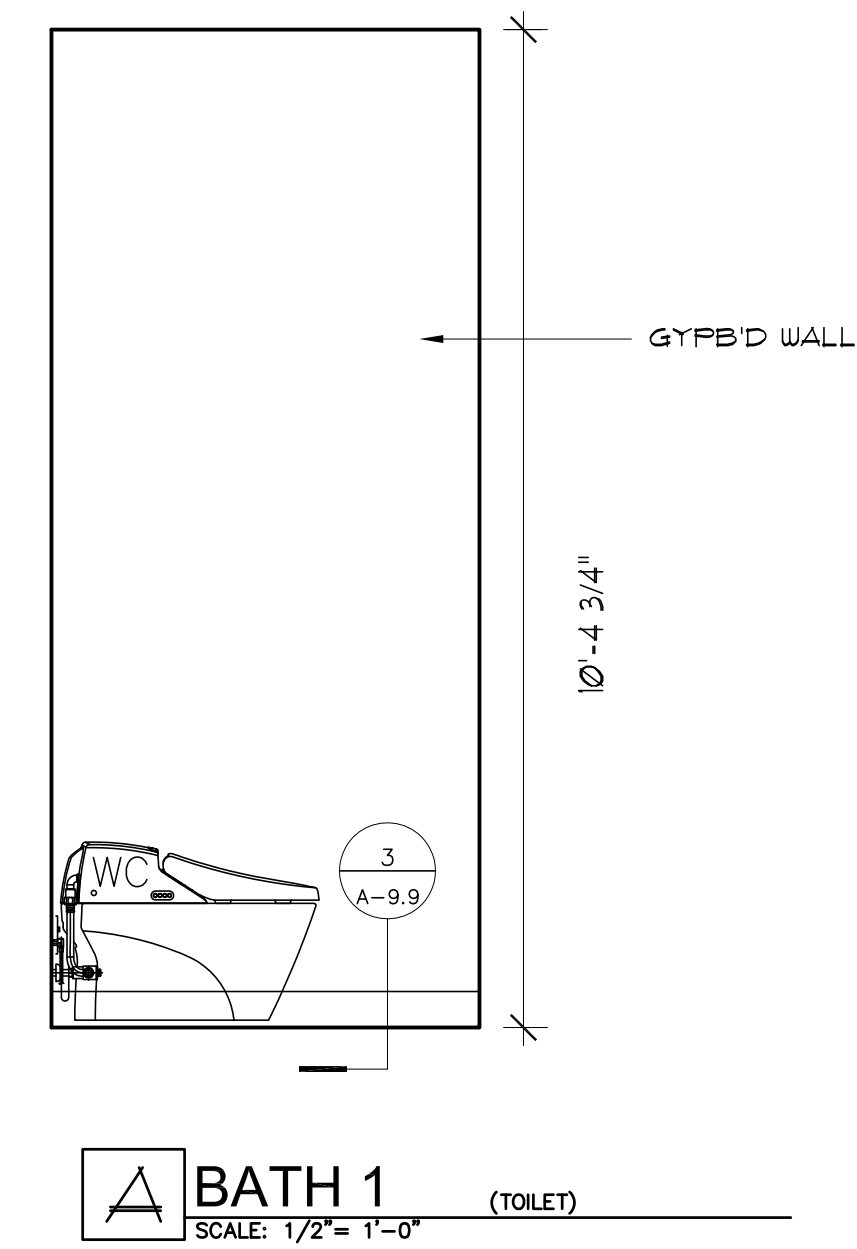
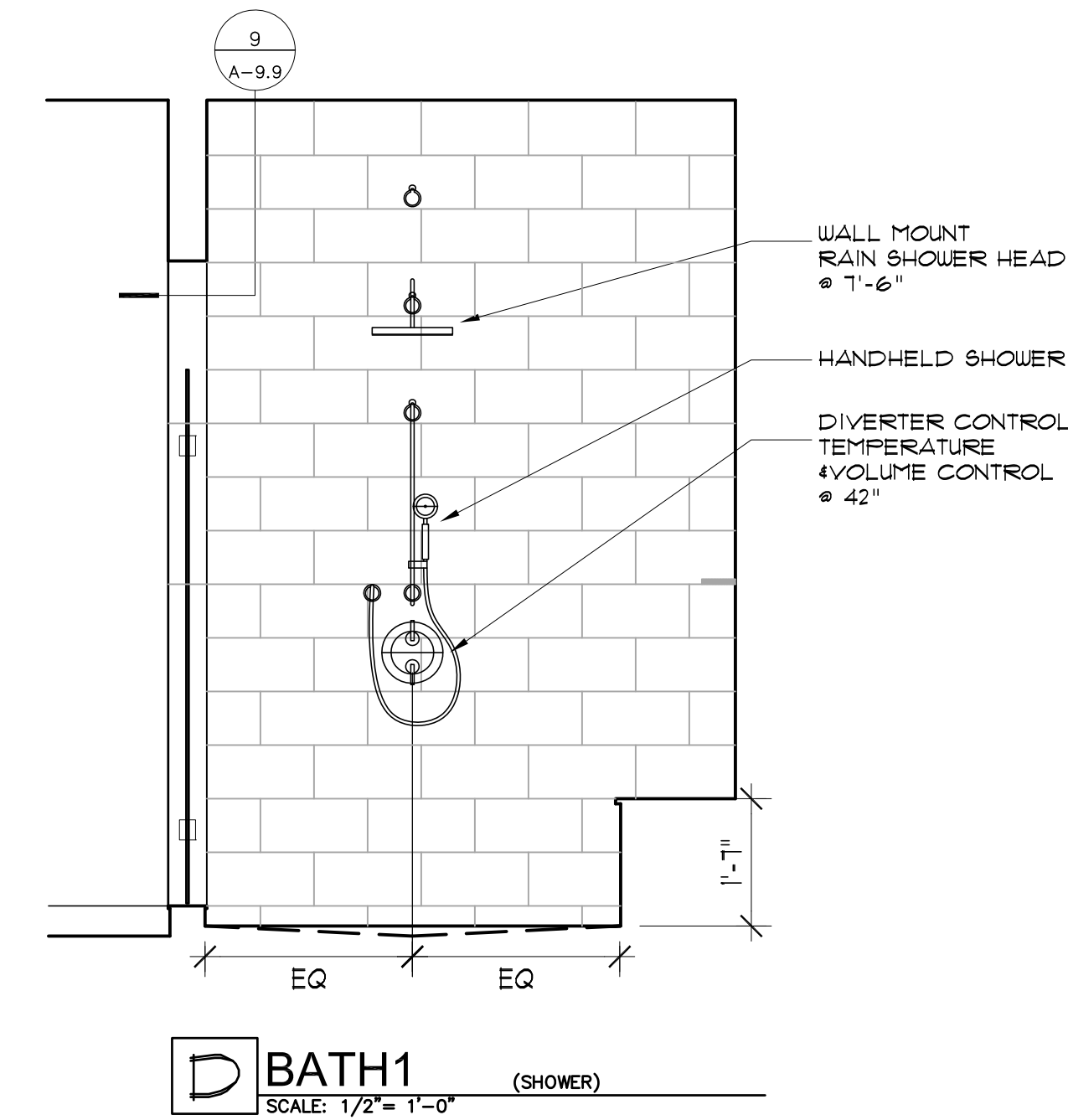
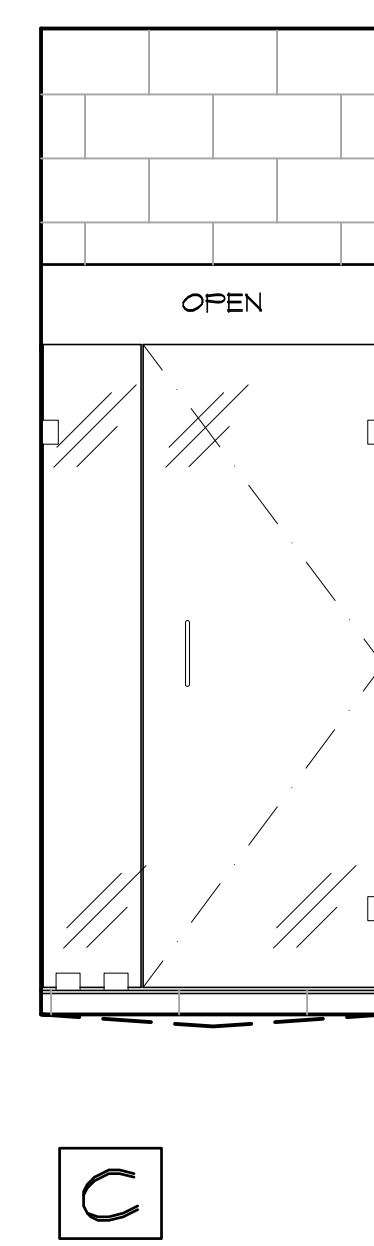
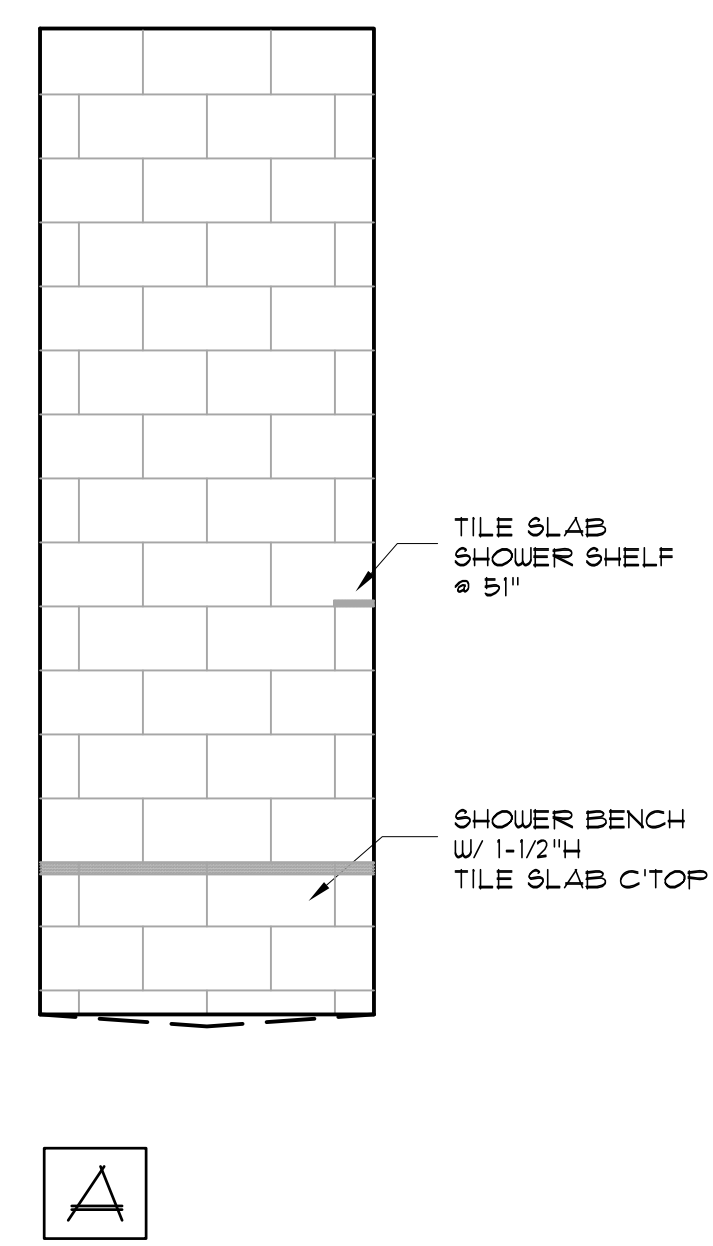
B



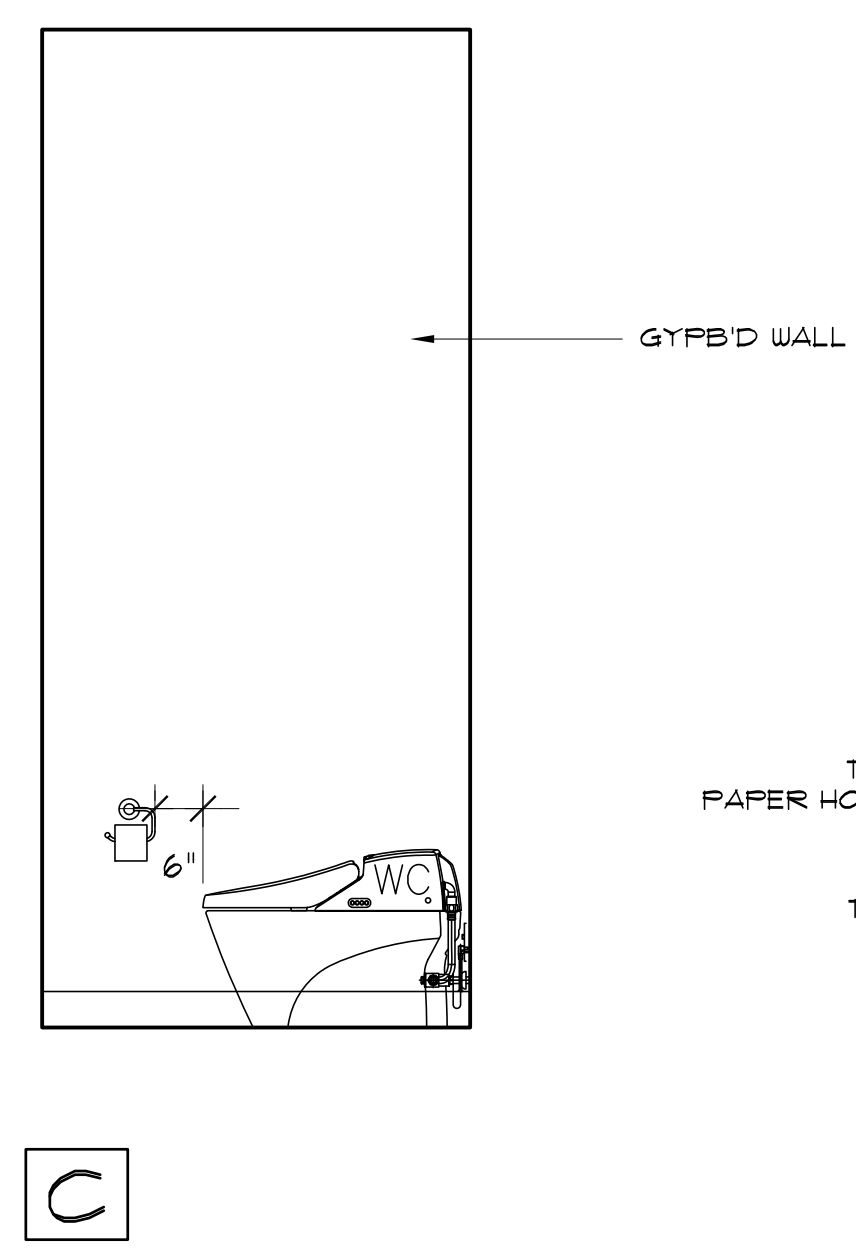
C



* PLEASE REFER TO CABINET SHOP DRAWINGS.



B



D

636 Launika St.
Honolulu, HI 96819
Tel: 808-542-9929
Web: naninc.com

Nan Inc

Kapalua Mauka Mahana Estates - Model A1

Kapalua, Maui, Hawaii

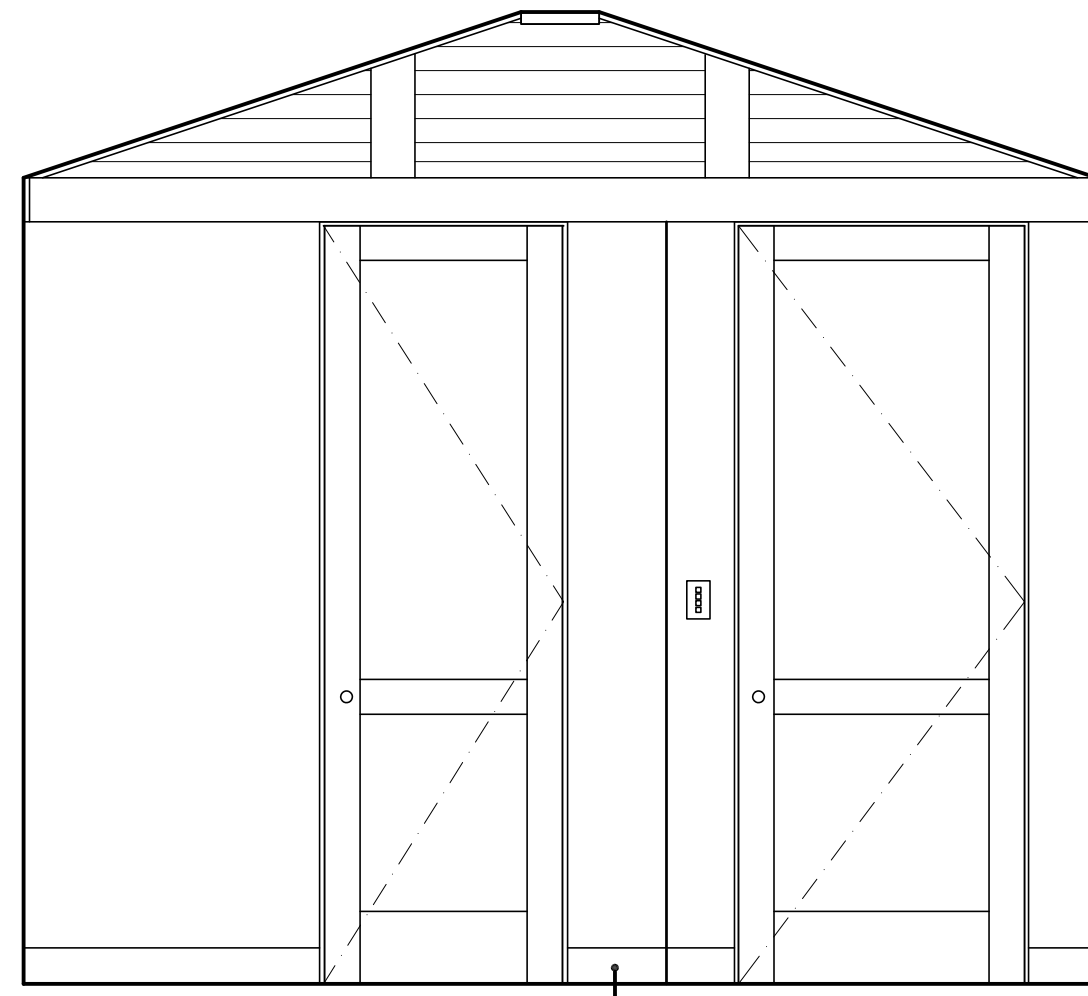
INTERIOR ELEVATIONS

REVISIONS:
12/25/08 - ADD #9
01/12/09 - ADD #8
01/12/09 - ADD #5

SHEET - OF -

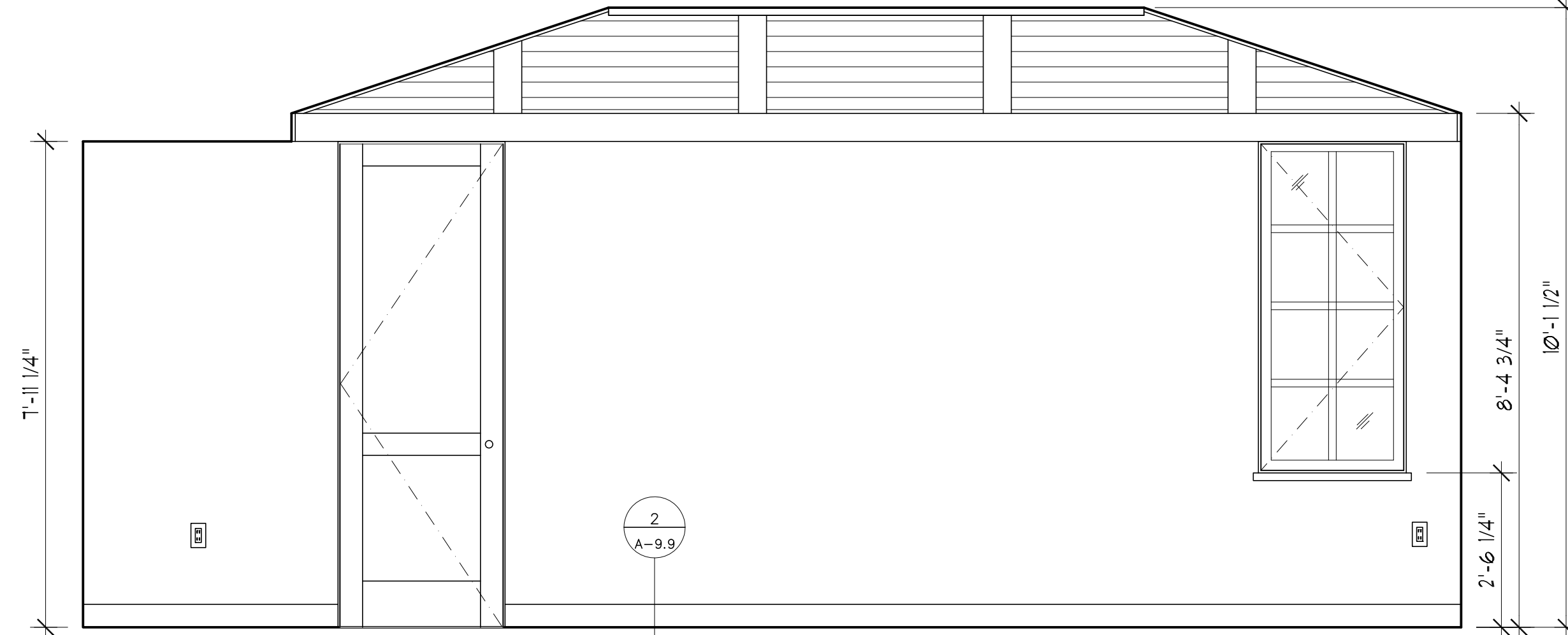
A-888

DATE: -

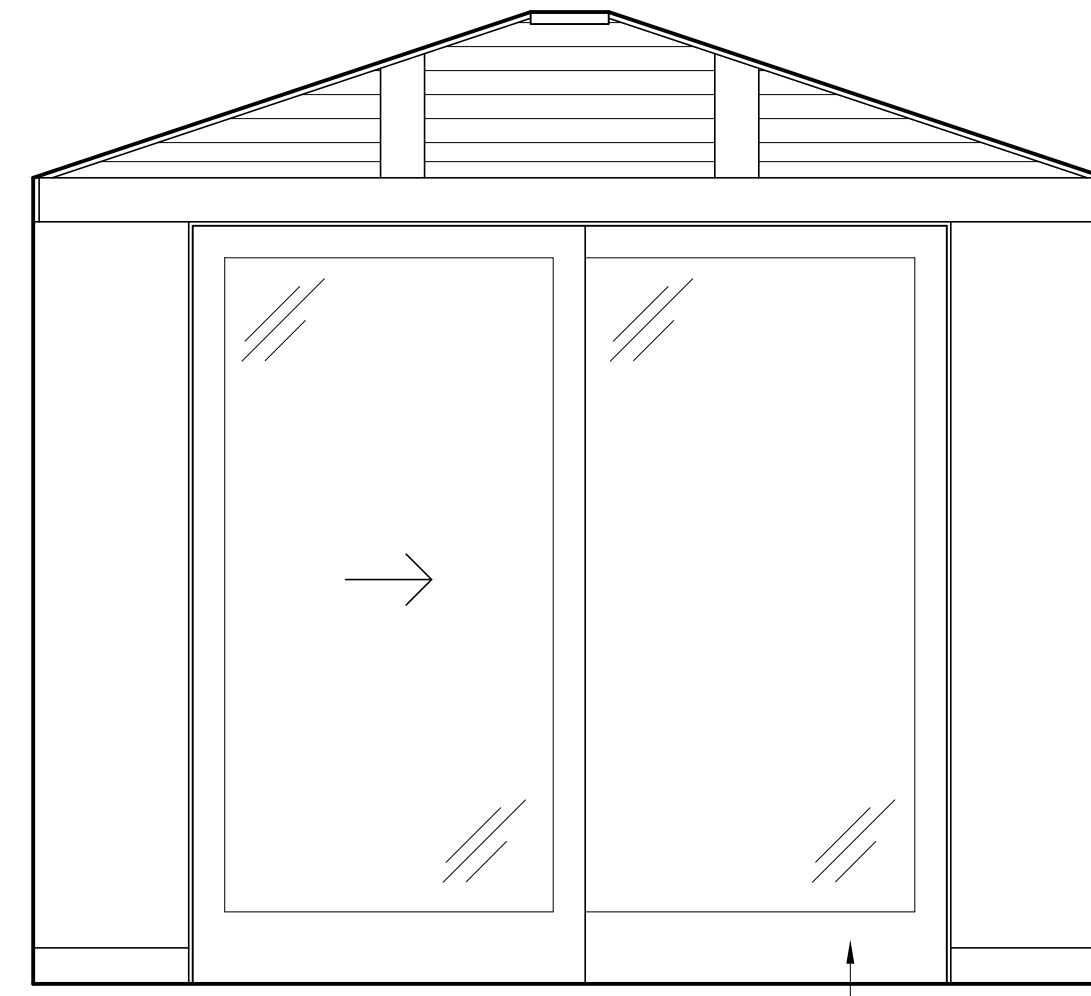


A BEDROOM 2
SCALE: 1/2" = 1'-0"

FA Ø2
UP FLOOR BASE

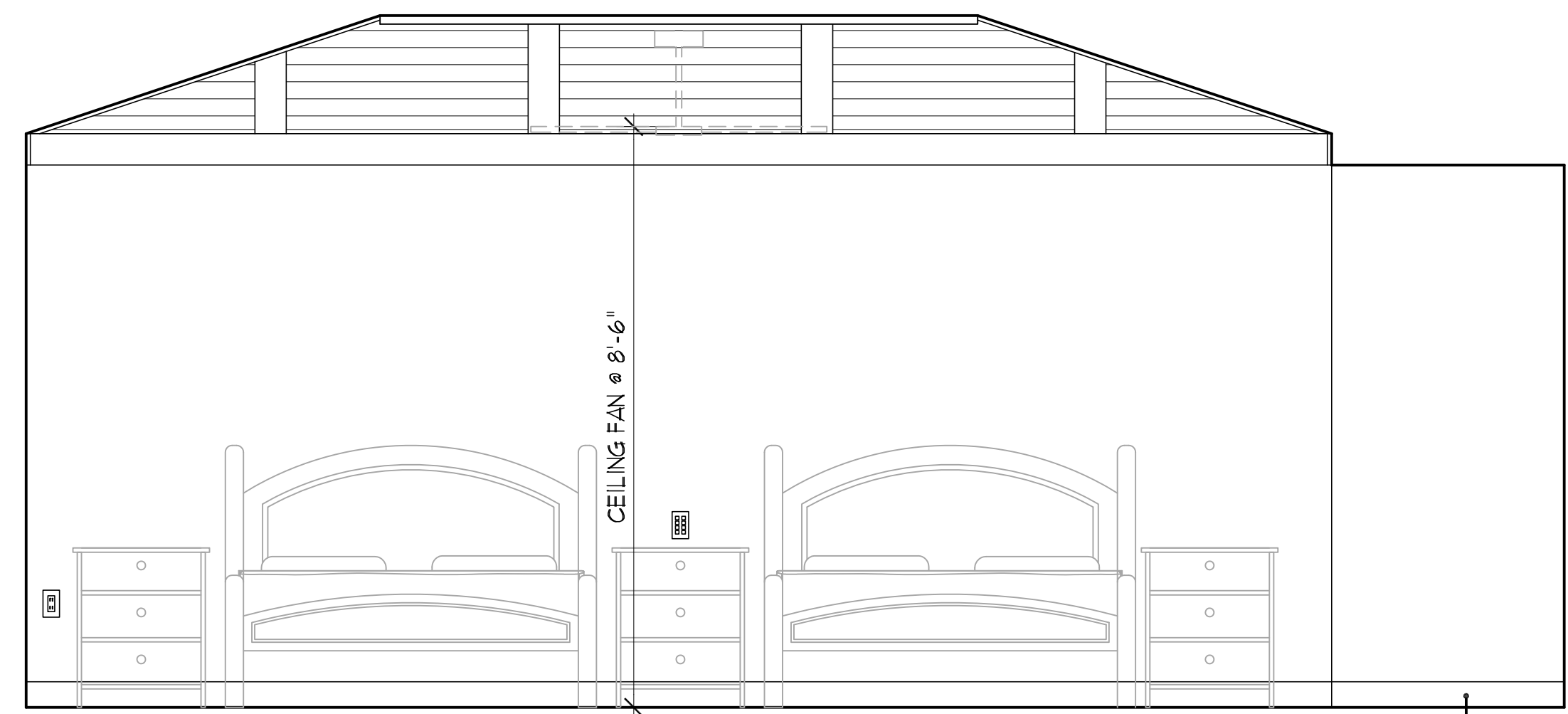


B



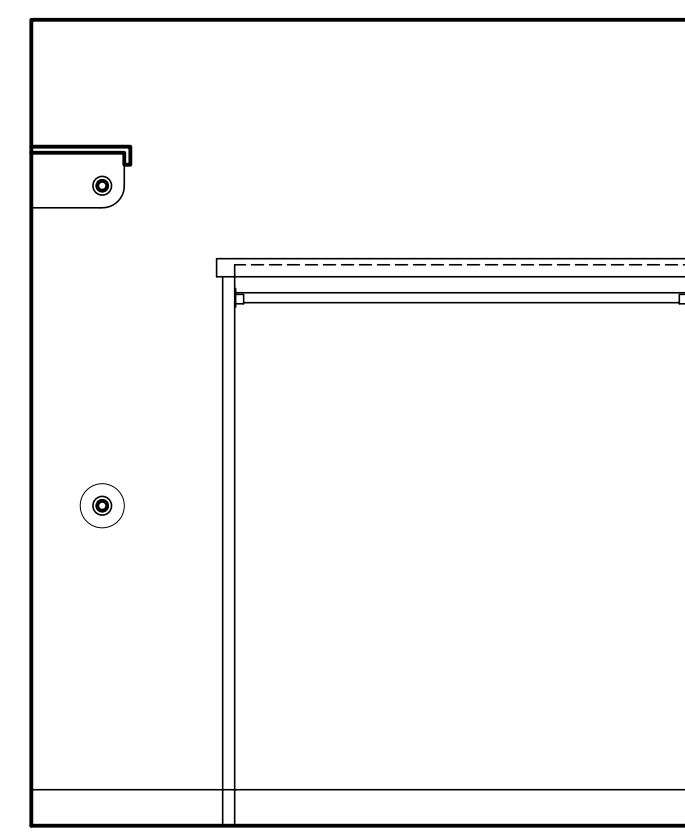
C

SLIDING PATIO DOOR



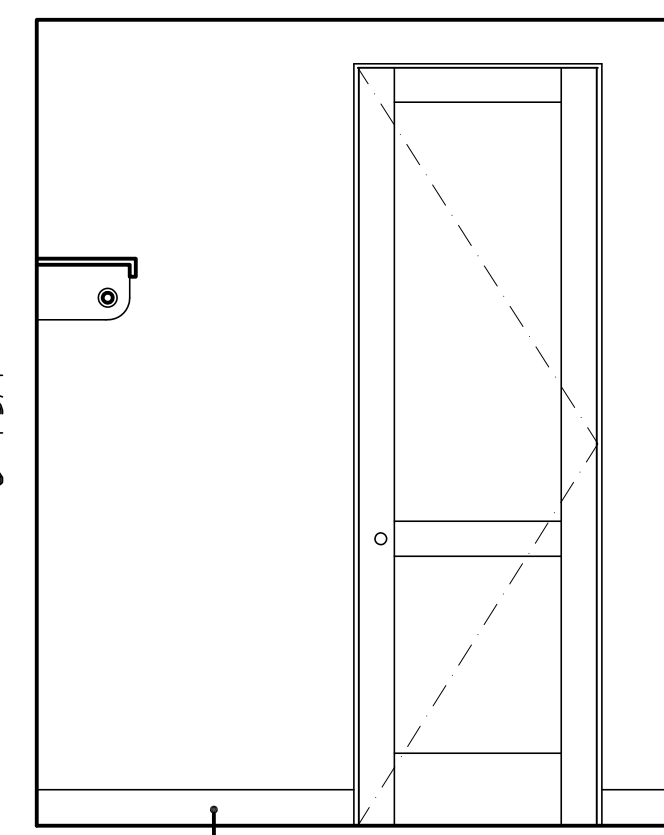
D

* KEYPAD INSTALLATION: PLEASE CHECK FURNITURE HEIGHT.

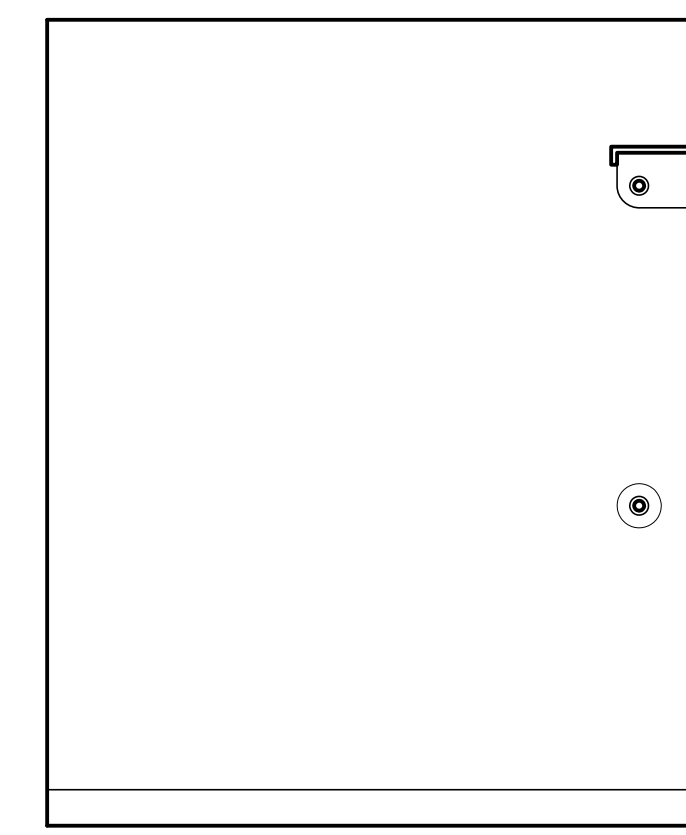


A BEDROOM 2 CLOSET
SCALE: 1/2" = 1'-0"

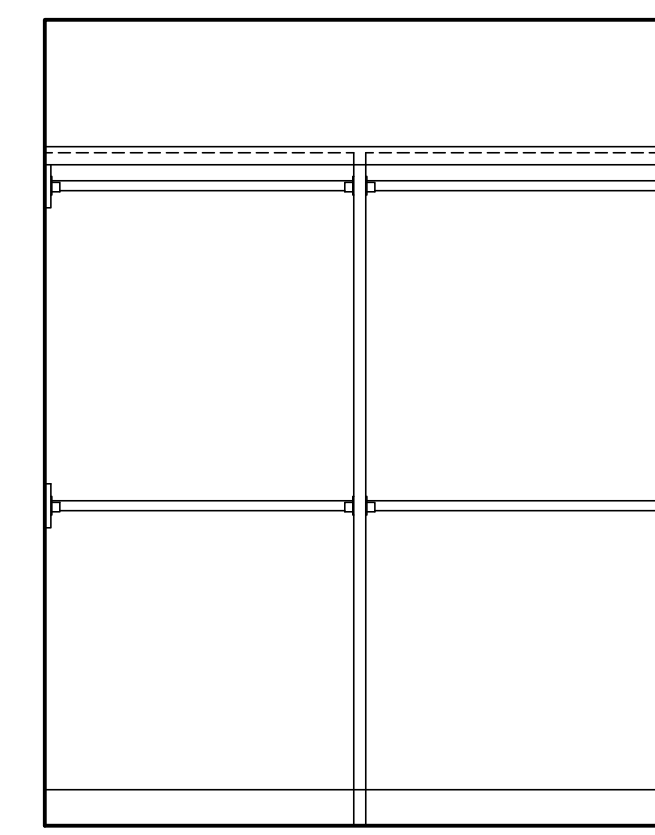
NOTE: PLEASE RAISE UP INTERIOR CEILING HEIGHT HIGHER THAN 8'-4 3/4"
* PLEASE REFER TO CABINET SHOP DRAWINGS.



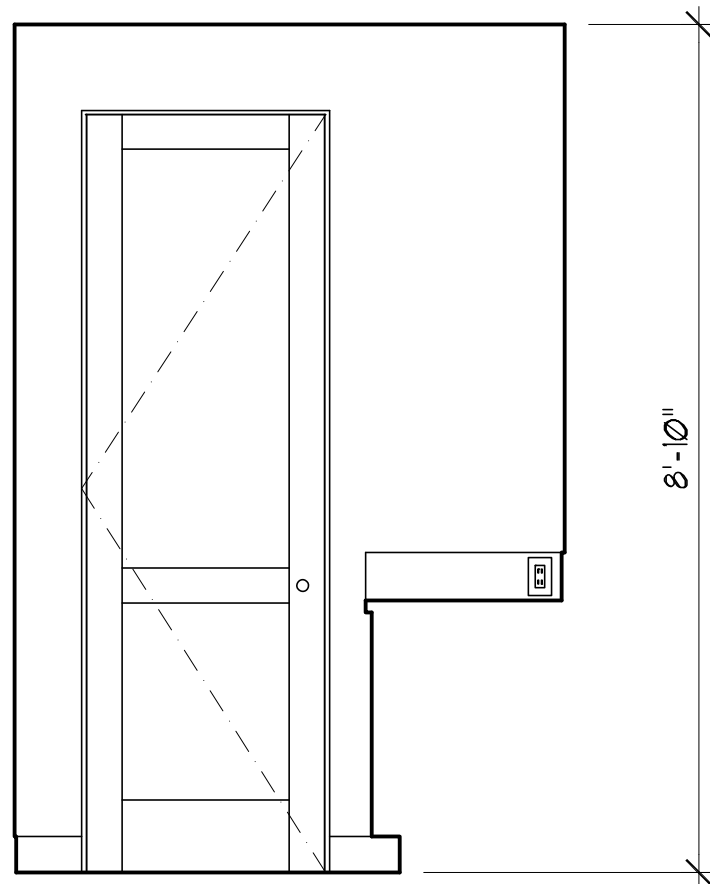
B



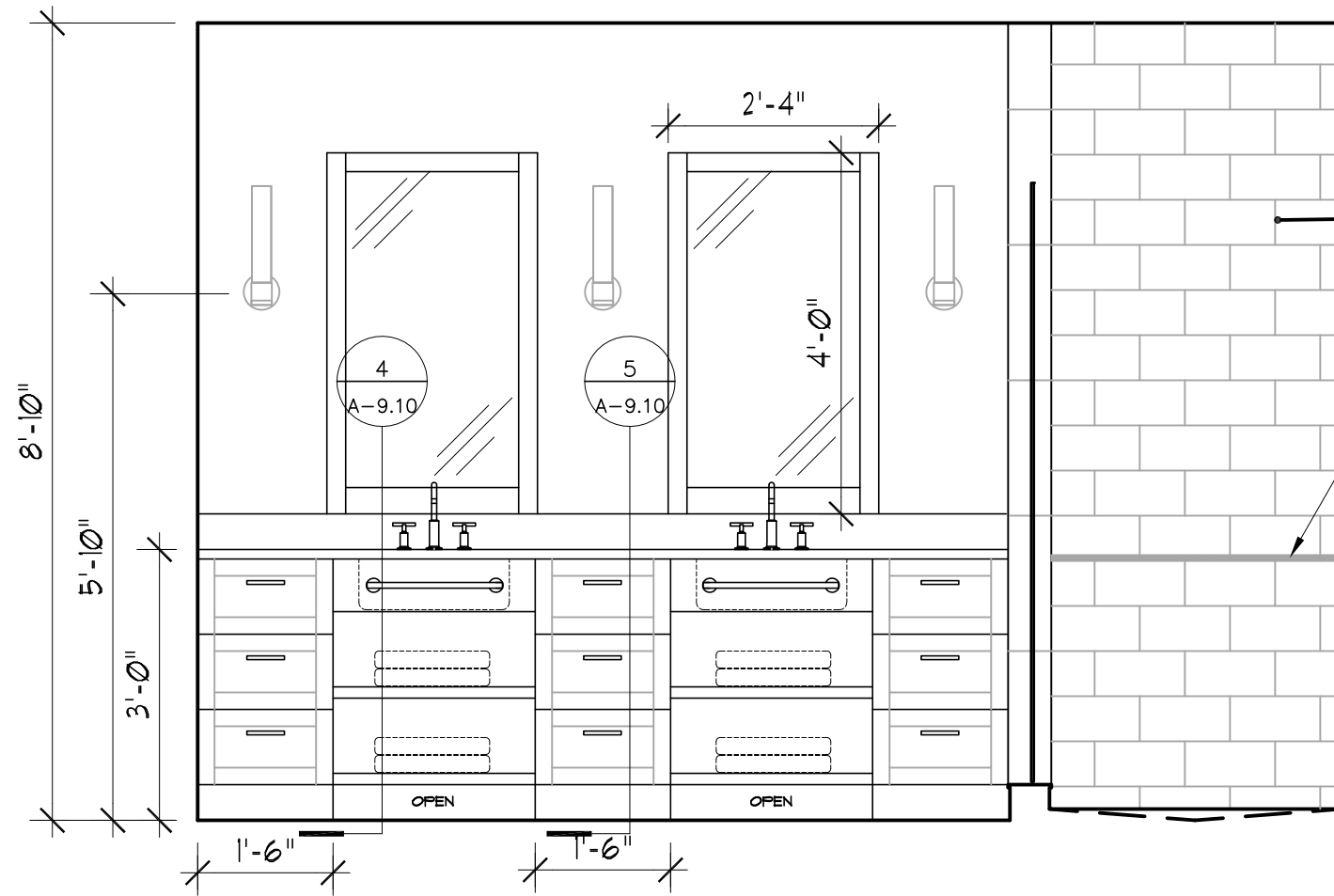
C



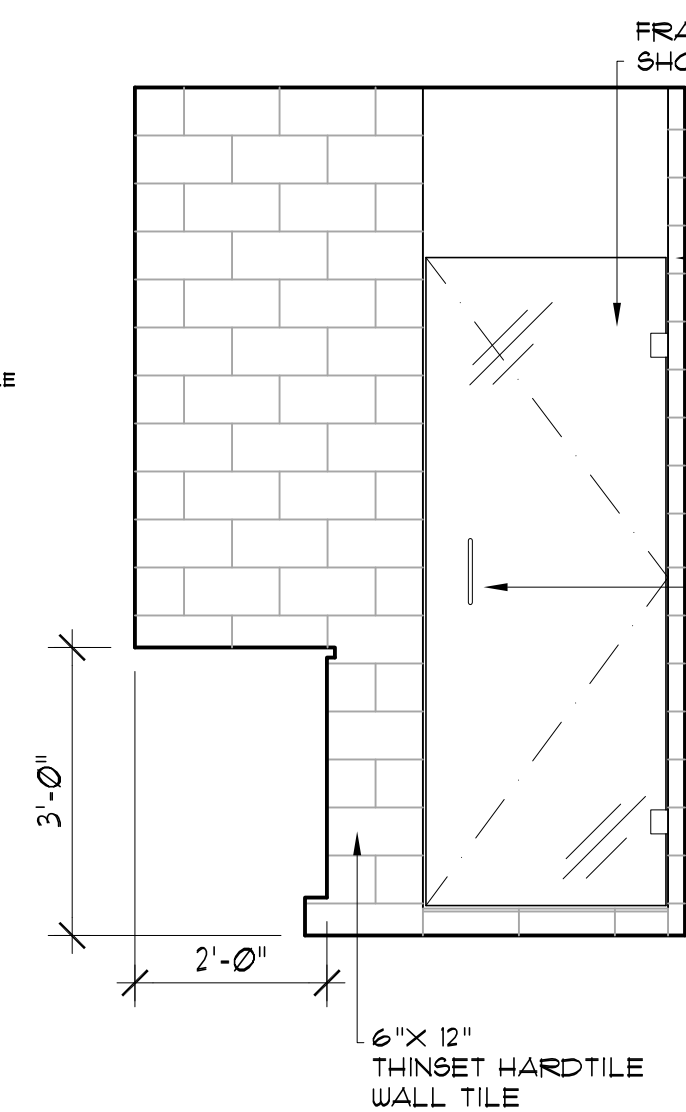
D



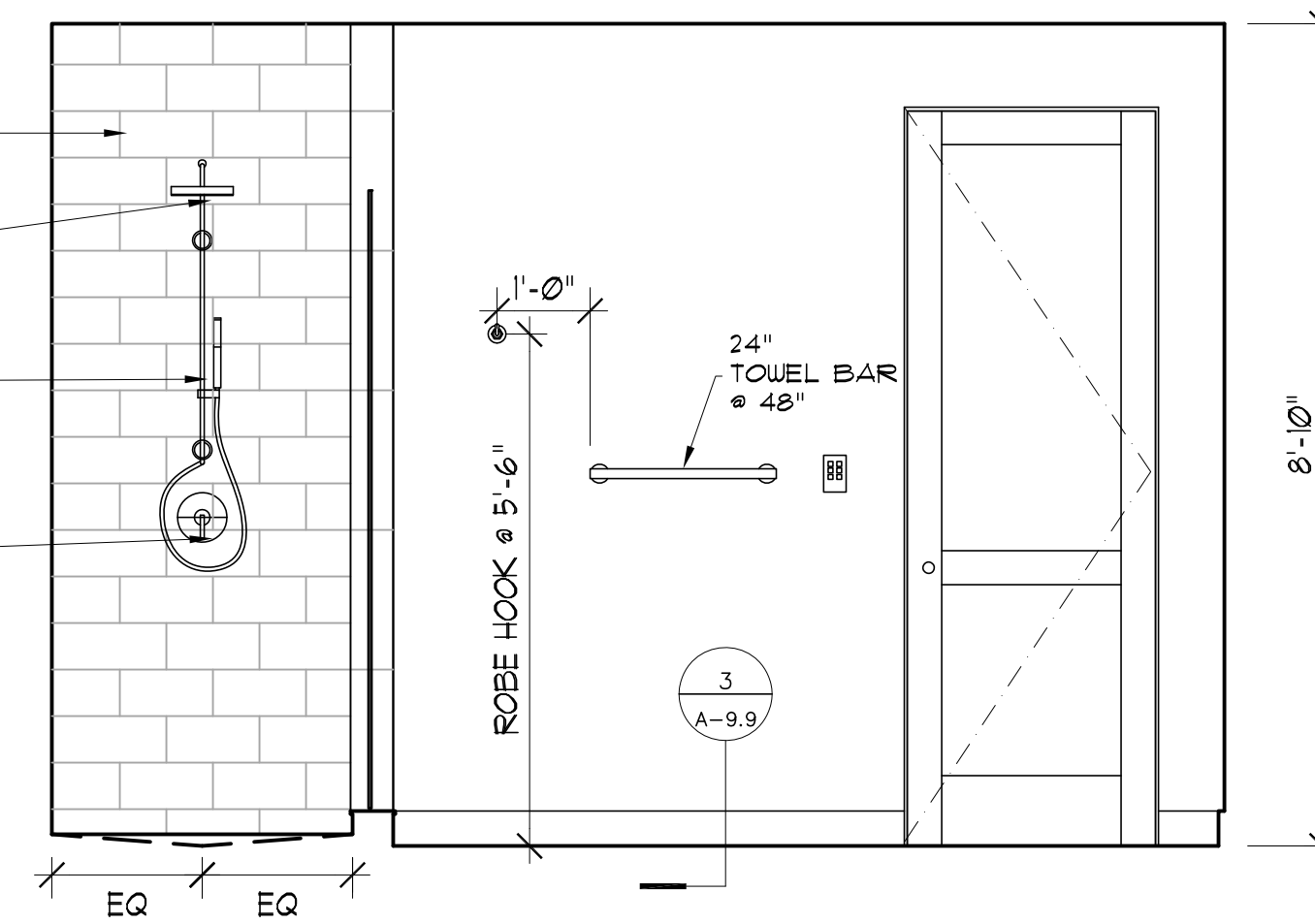
A BATH 2
SCALE: 1/2" = 1'-0"



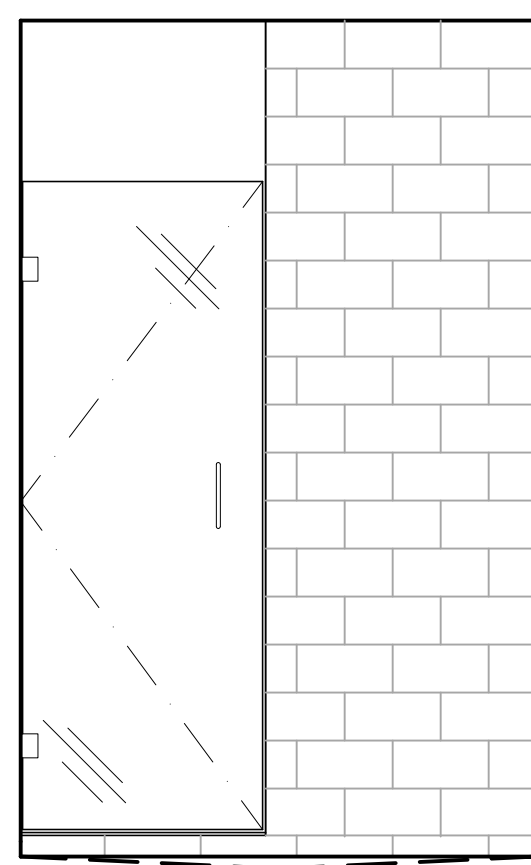
B



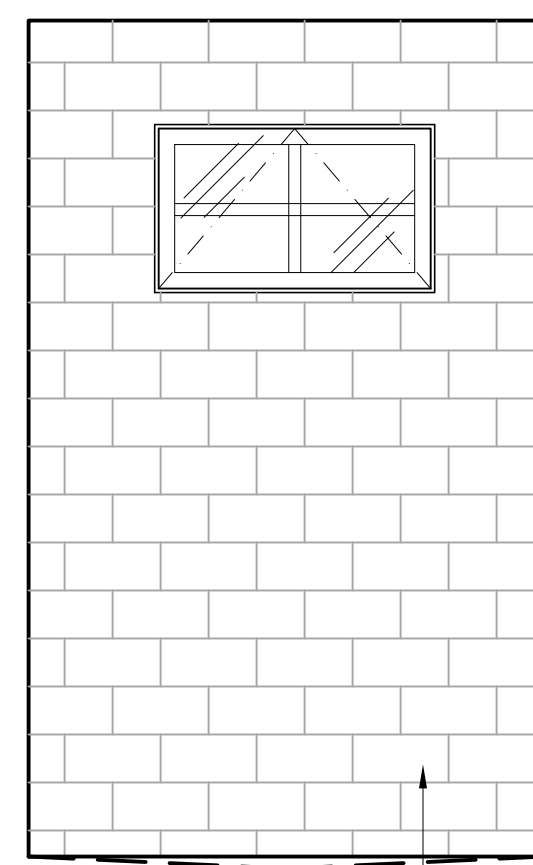
C



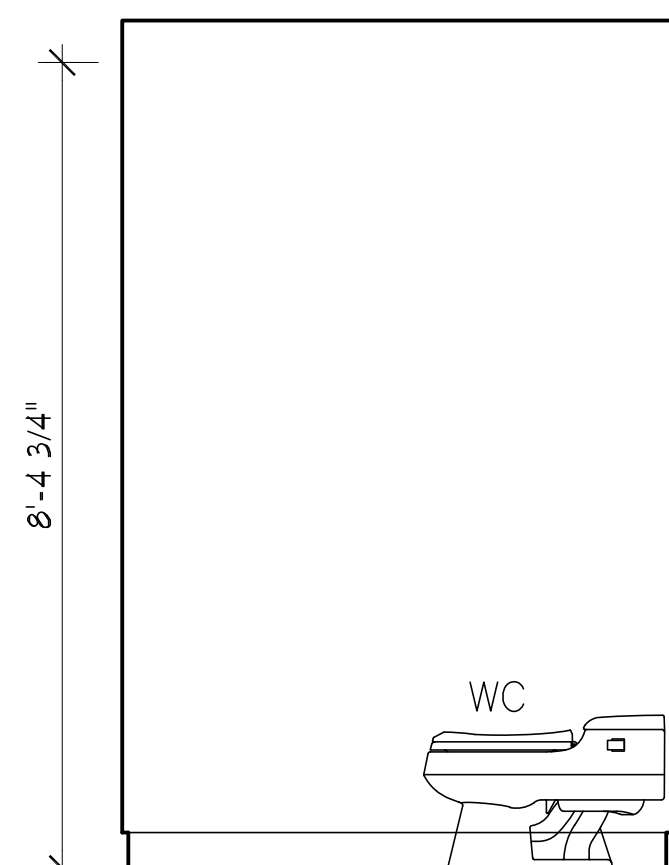
D



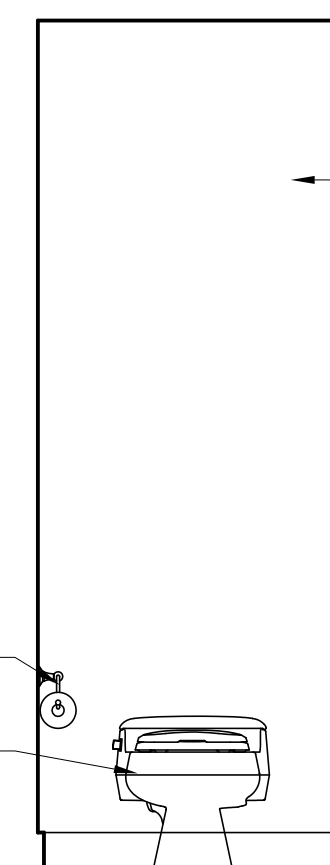
A BATH 2 (SHOWER)
SCALE: 1/2" = 1'-0"



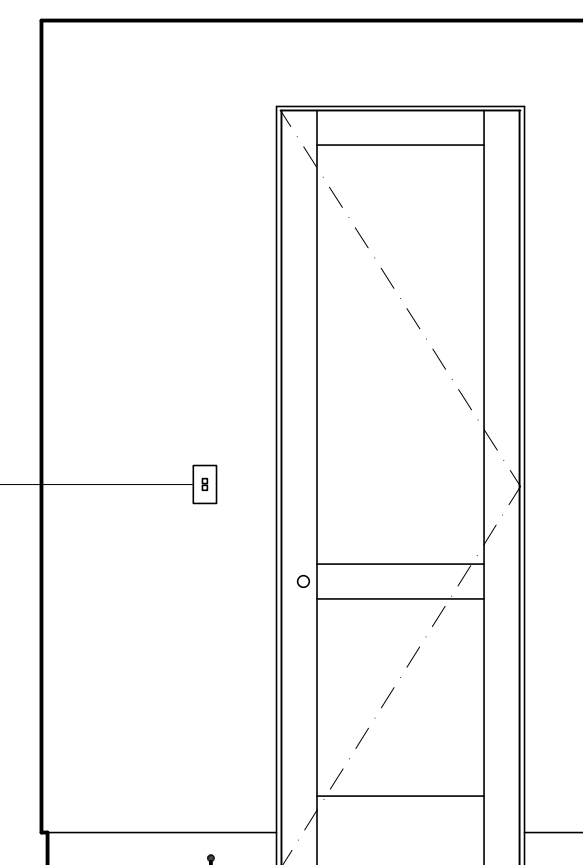
C



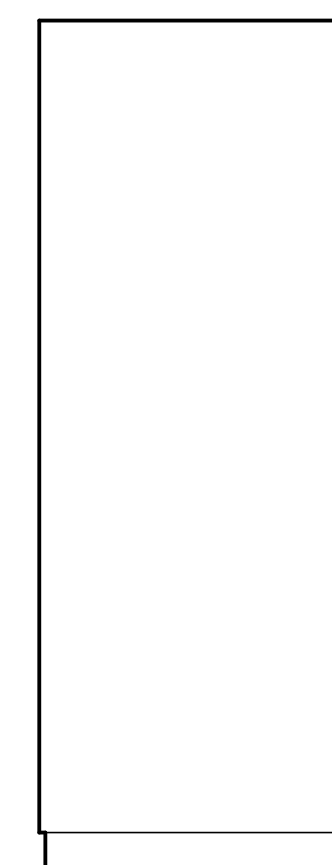
A BATH 2 (TOILET)
SCALE: 1/2" = 1'-0"



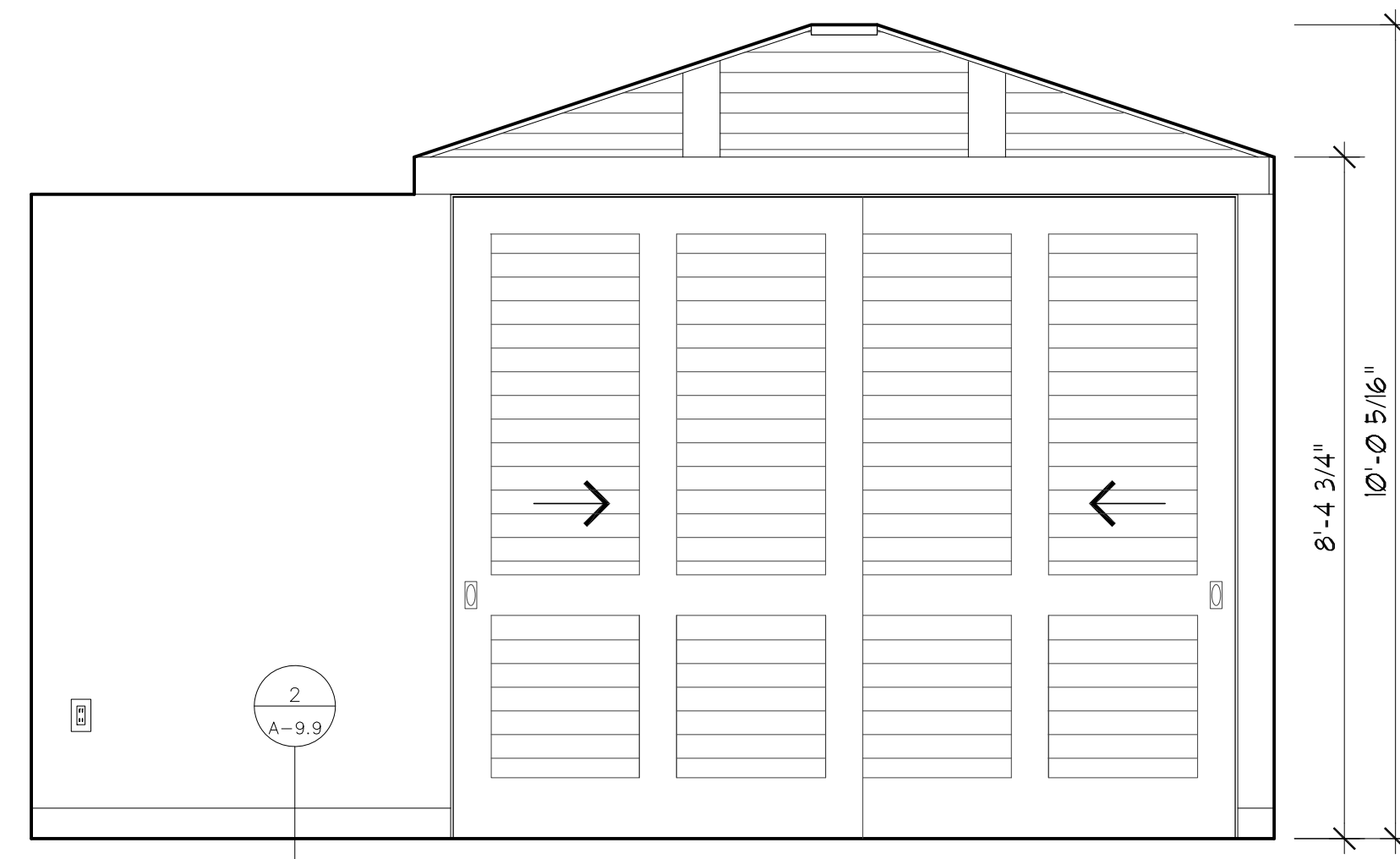
B



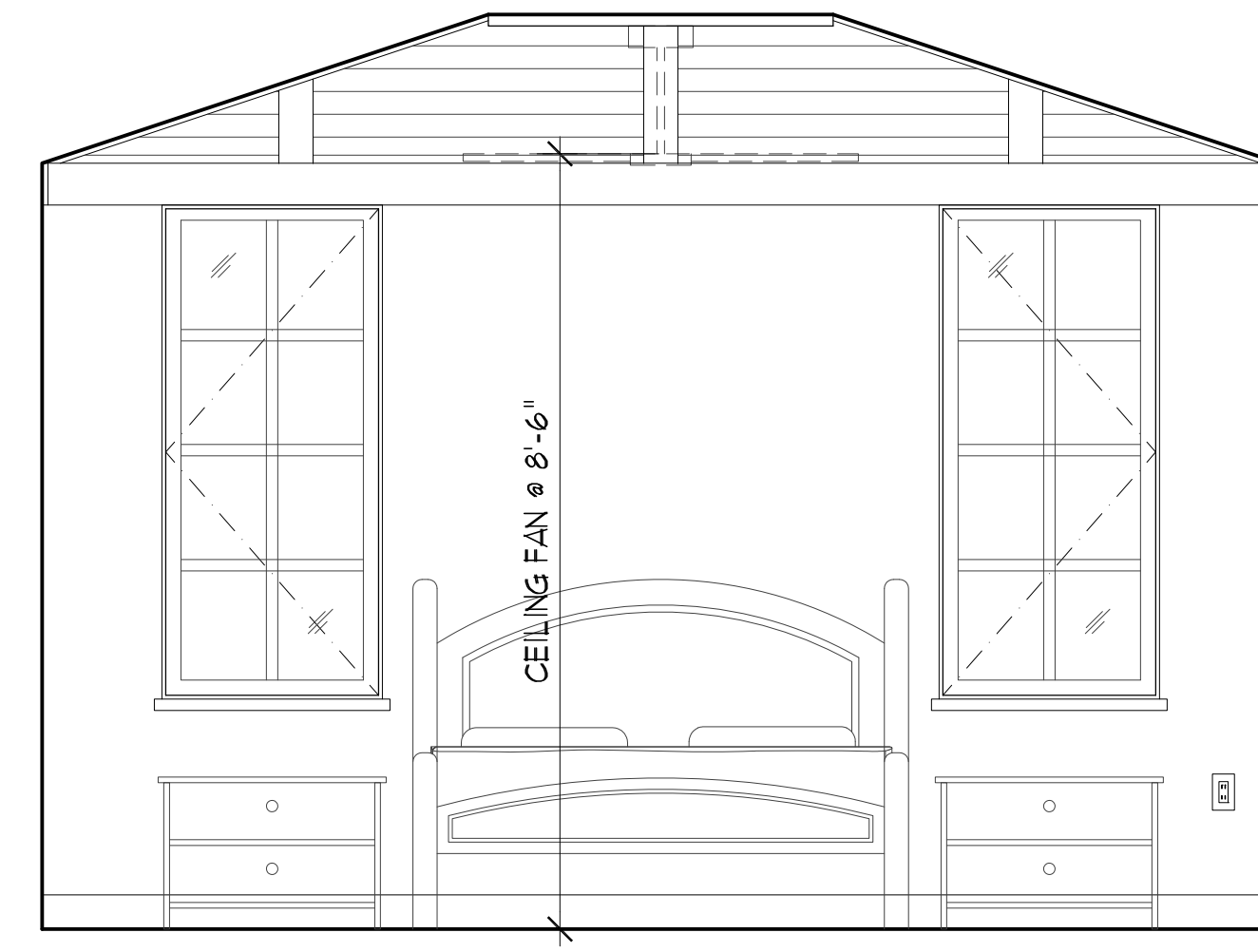
C



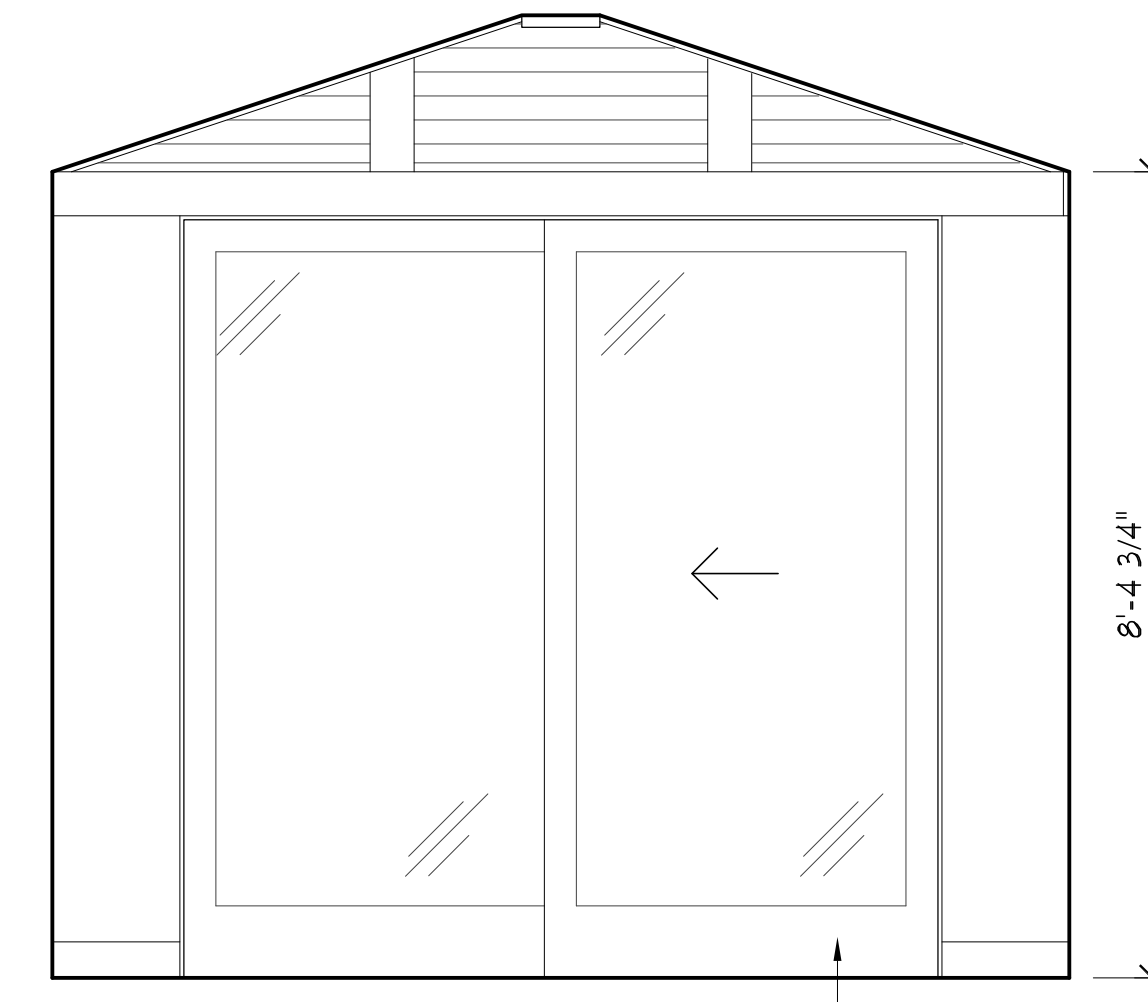
D



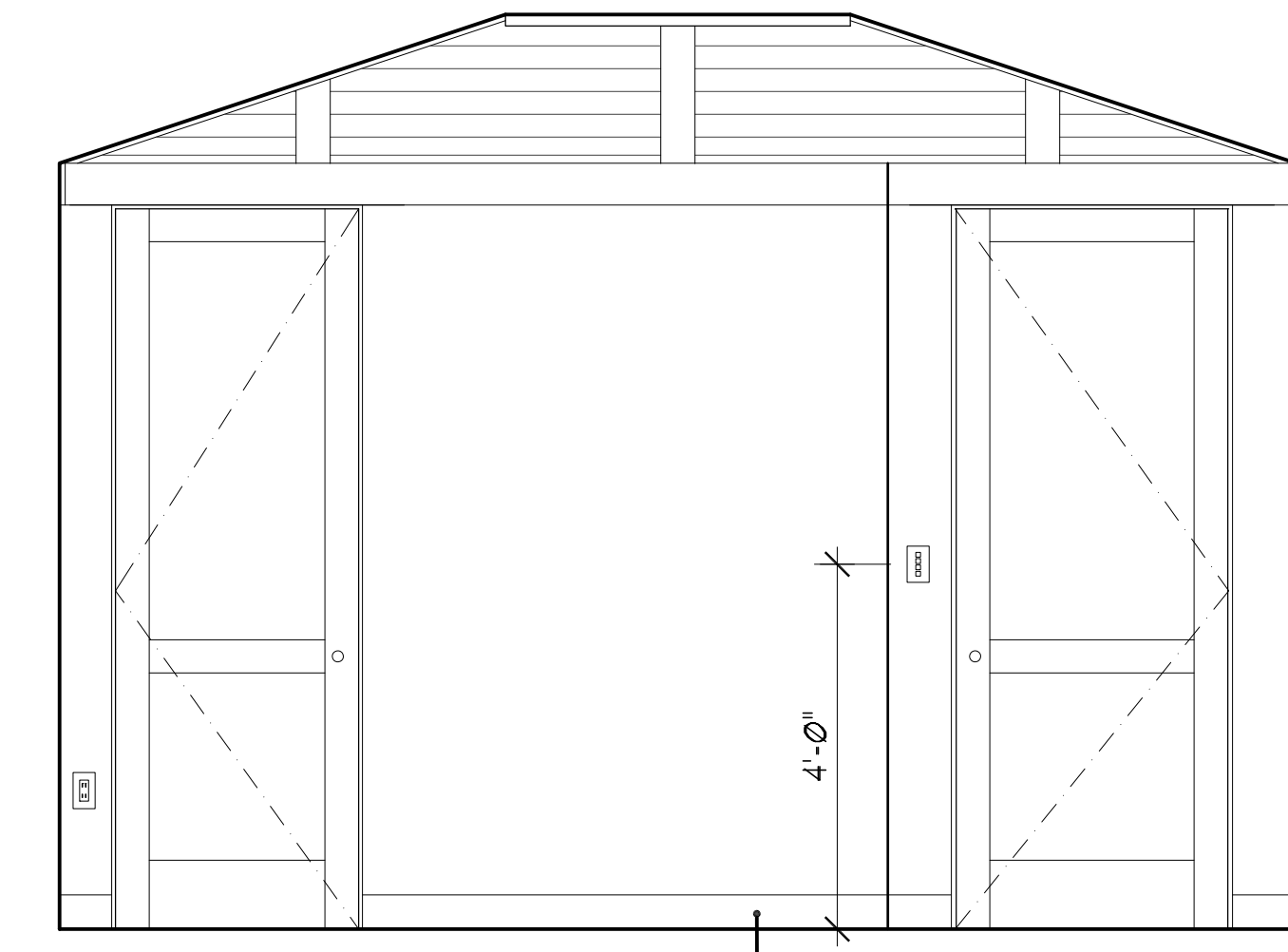
A **BEDROOM 3**
SCALE: 1/2" = 1'-0"



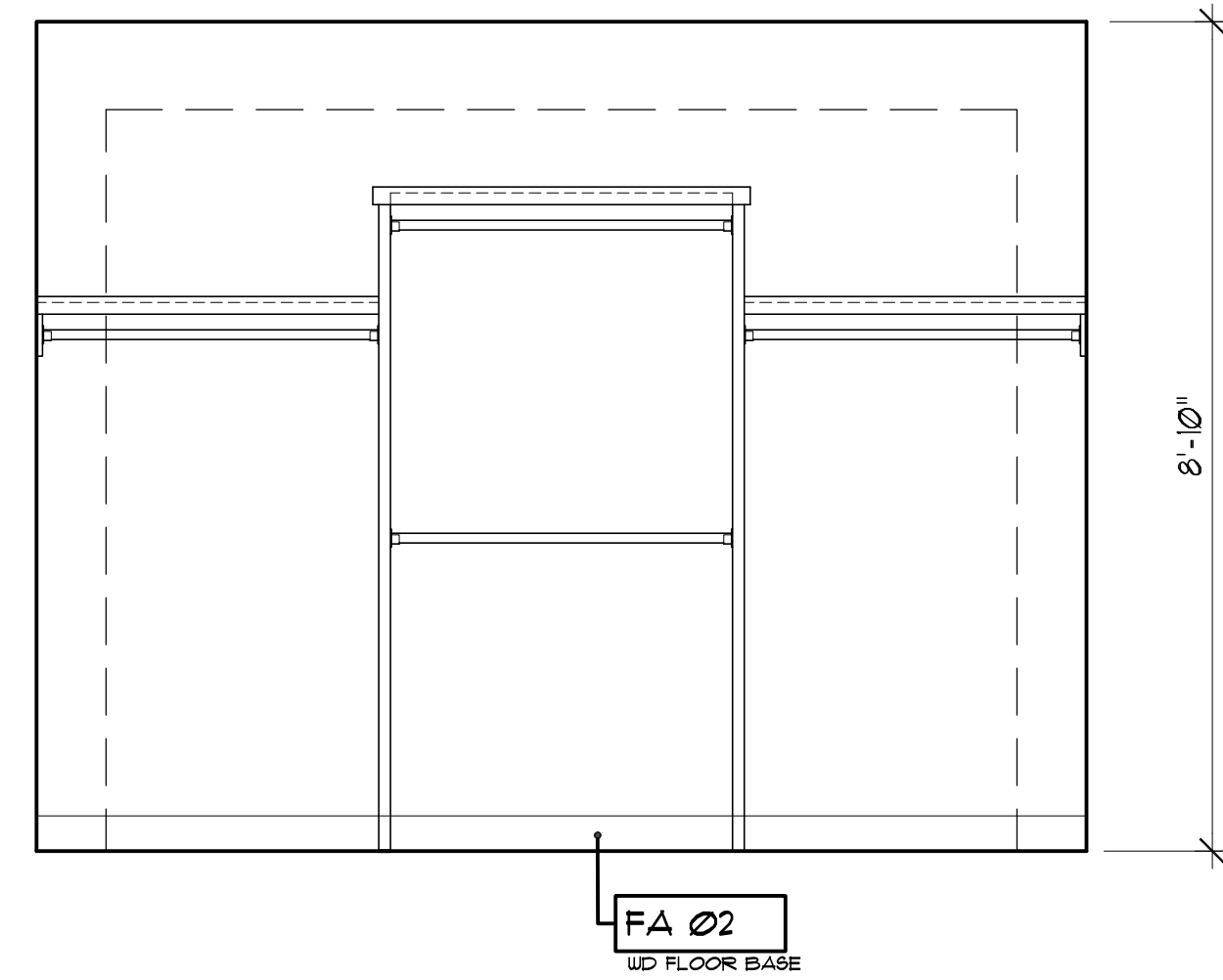
B
* KEYPAD INSTALLATION: PLEASE CHECK FURNITURE HEIGHT.



C
SLIDING PATIO DOOR

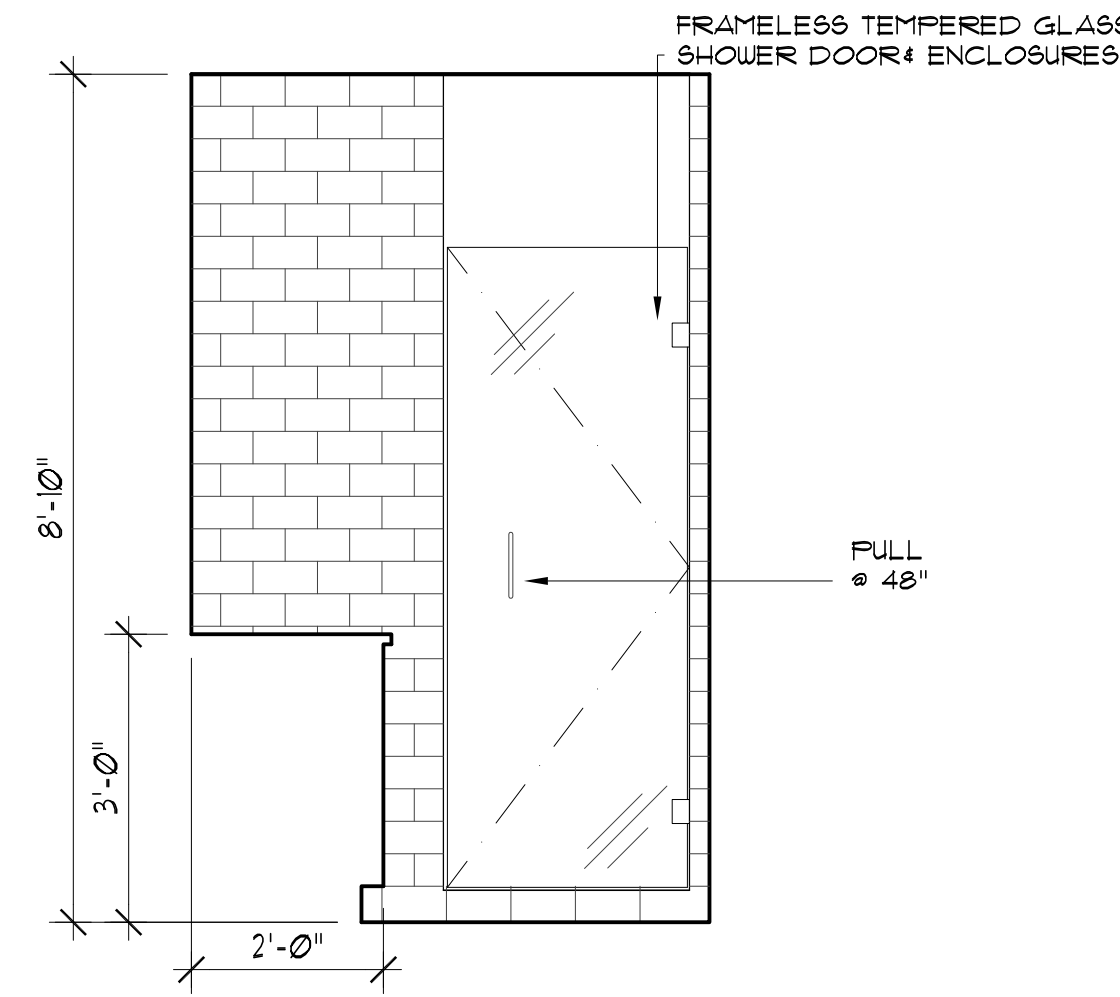


C
FA Ø2 UP FLOOR BASE

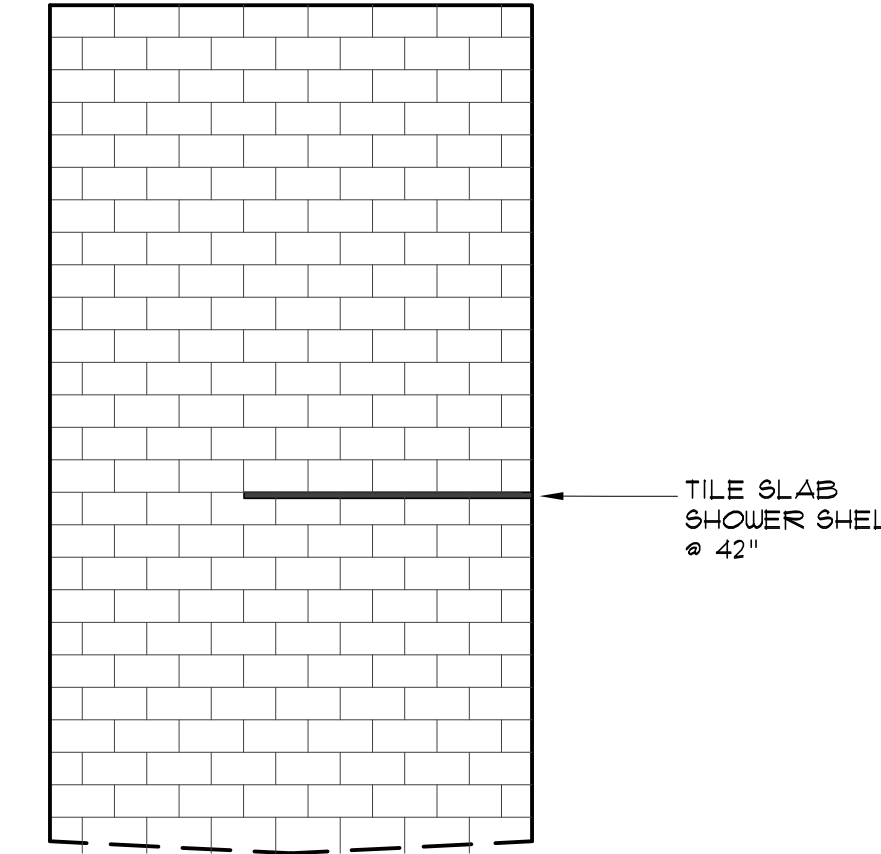


A **BEDROOM 3 CLOSET**
SCALE: 1/2" = 1'-0"

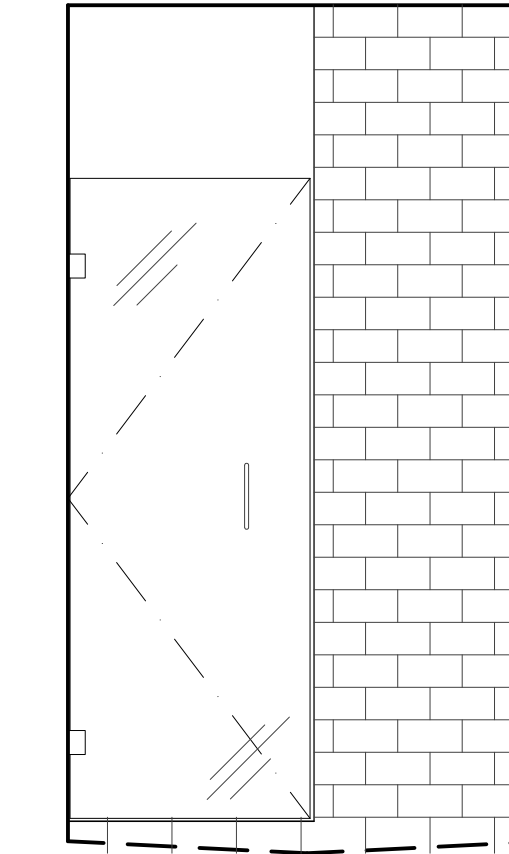
* PLEASE REFER TO CABINET SHOP DRAWINGS.



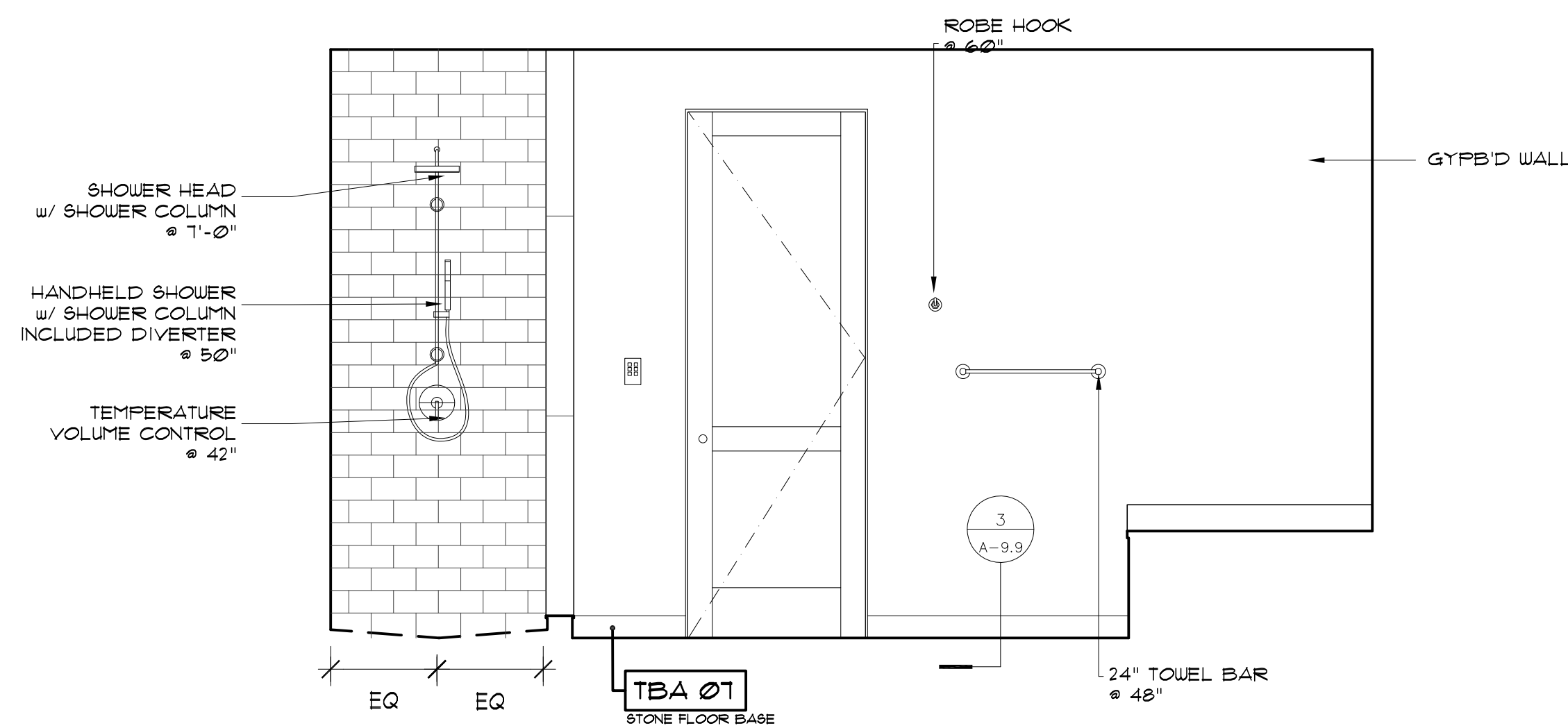
A **BATH 3**
SCALE: 1/2" = 1'-0"



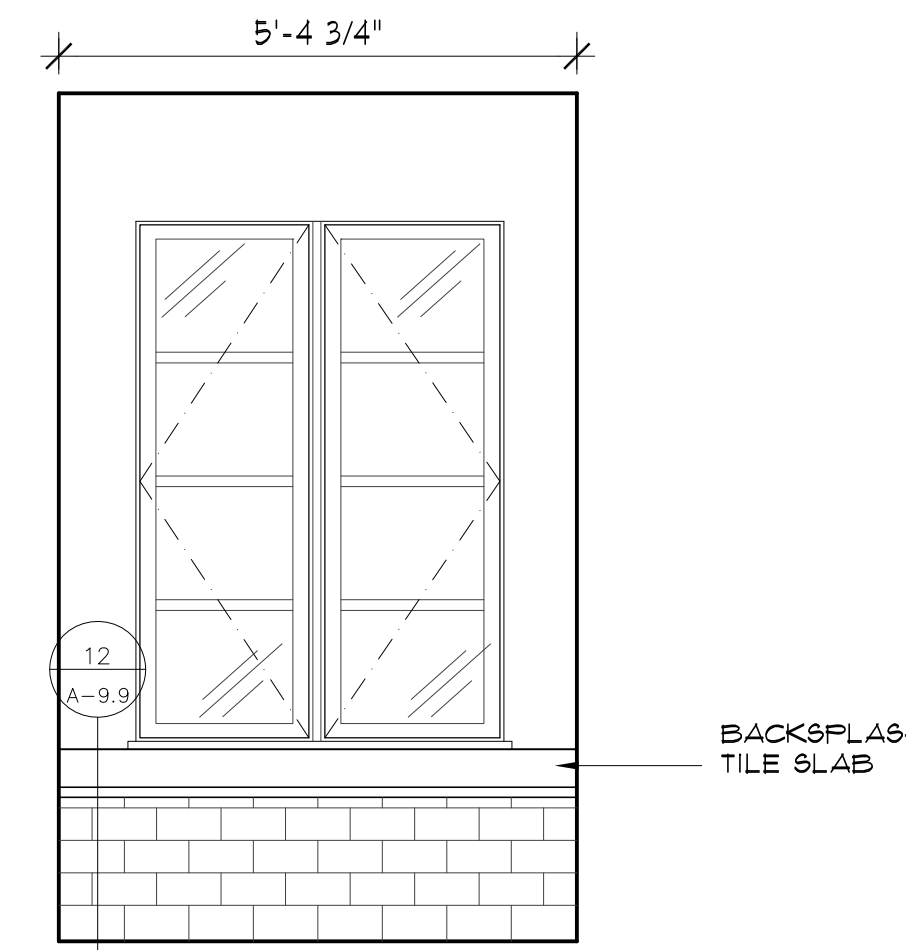
A **BATH 3** (SHOWER)
SCALE: 1/2" = 1'-0"



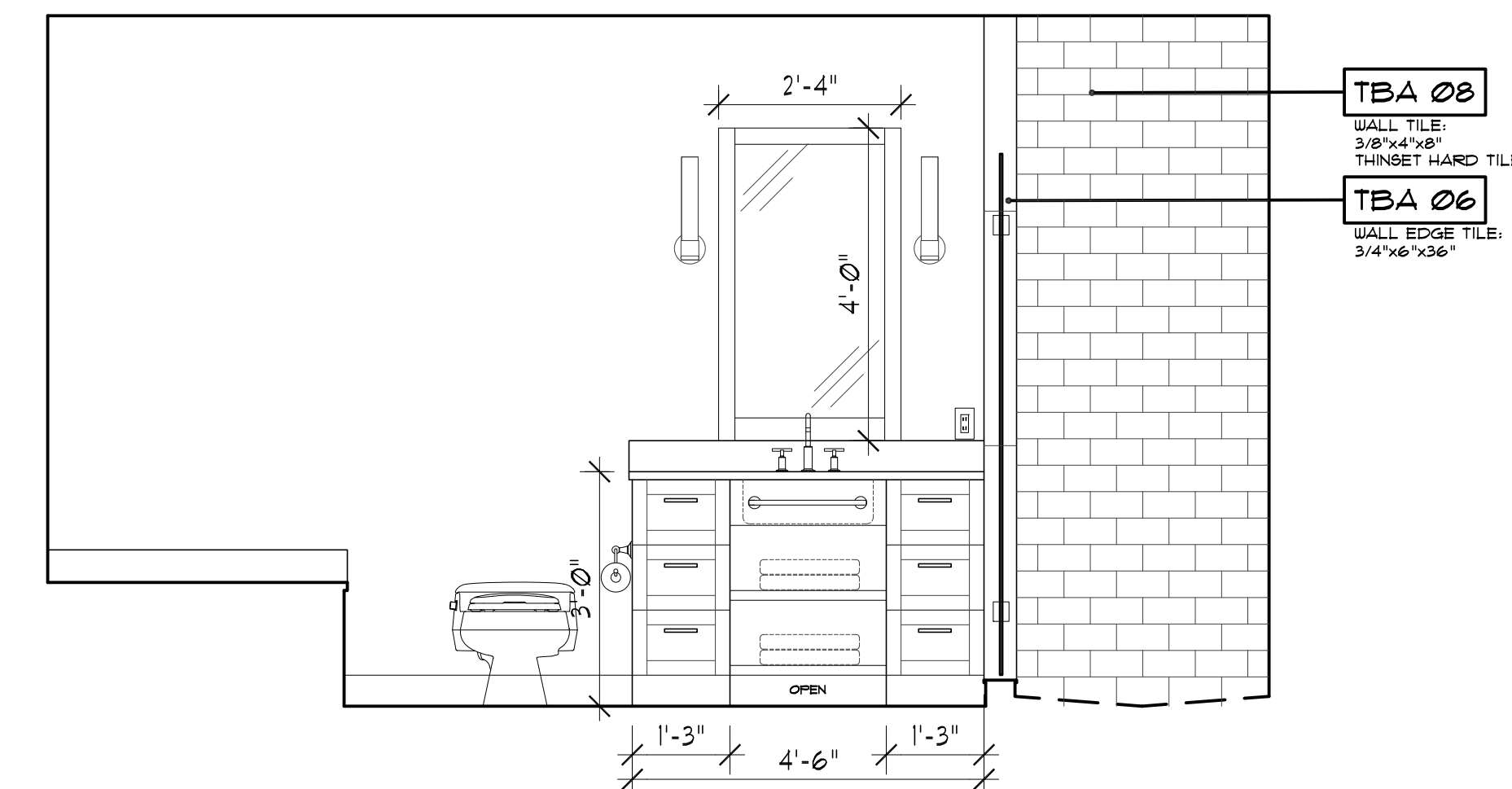
C **BATH 3** (SHOWER)
SCALE: 1/2" = 1'-0"



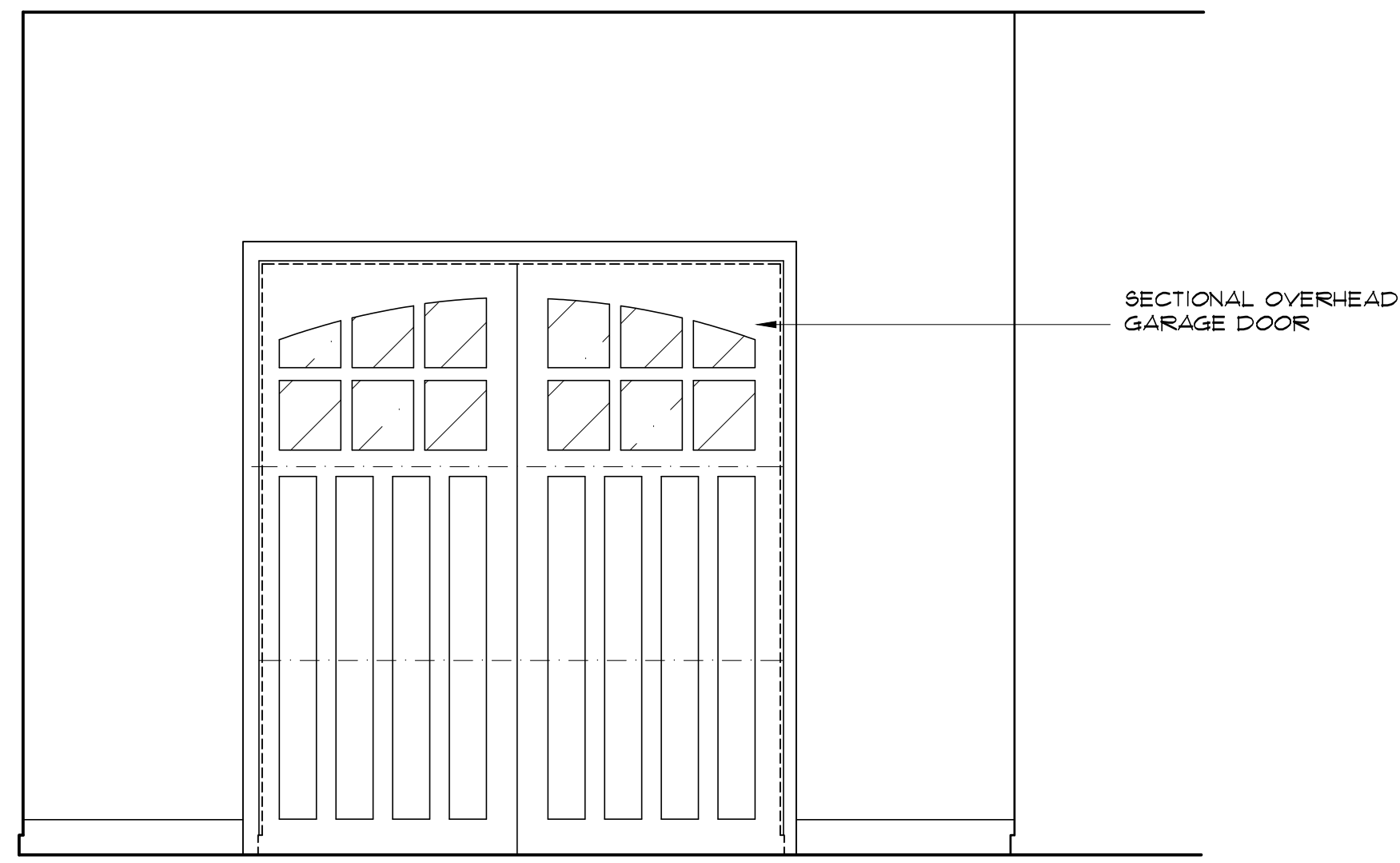
B



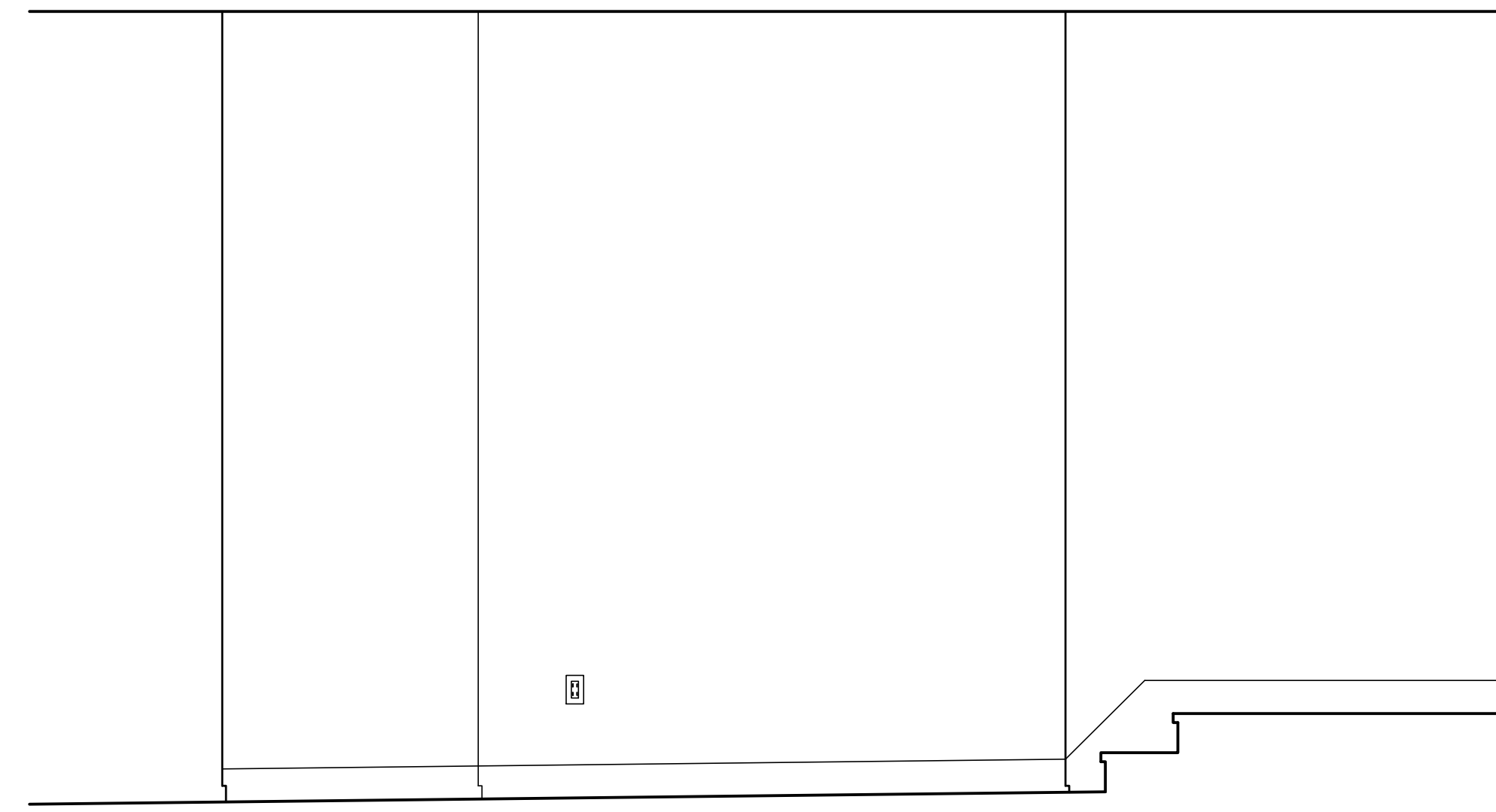
C



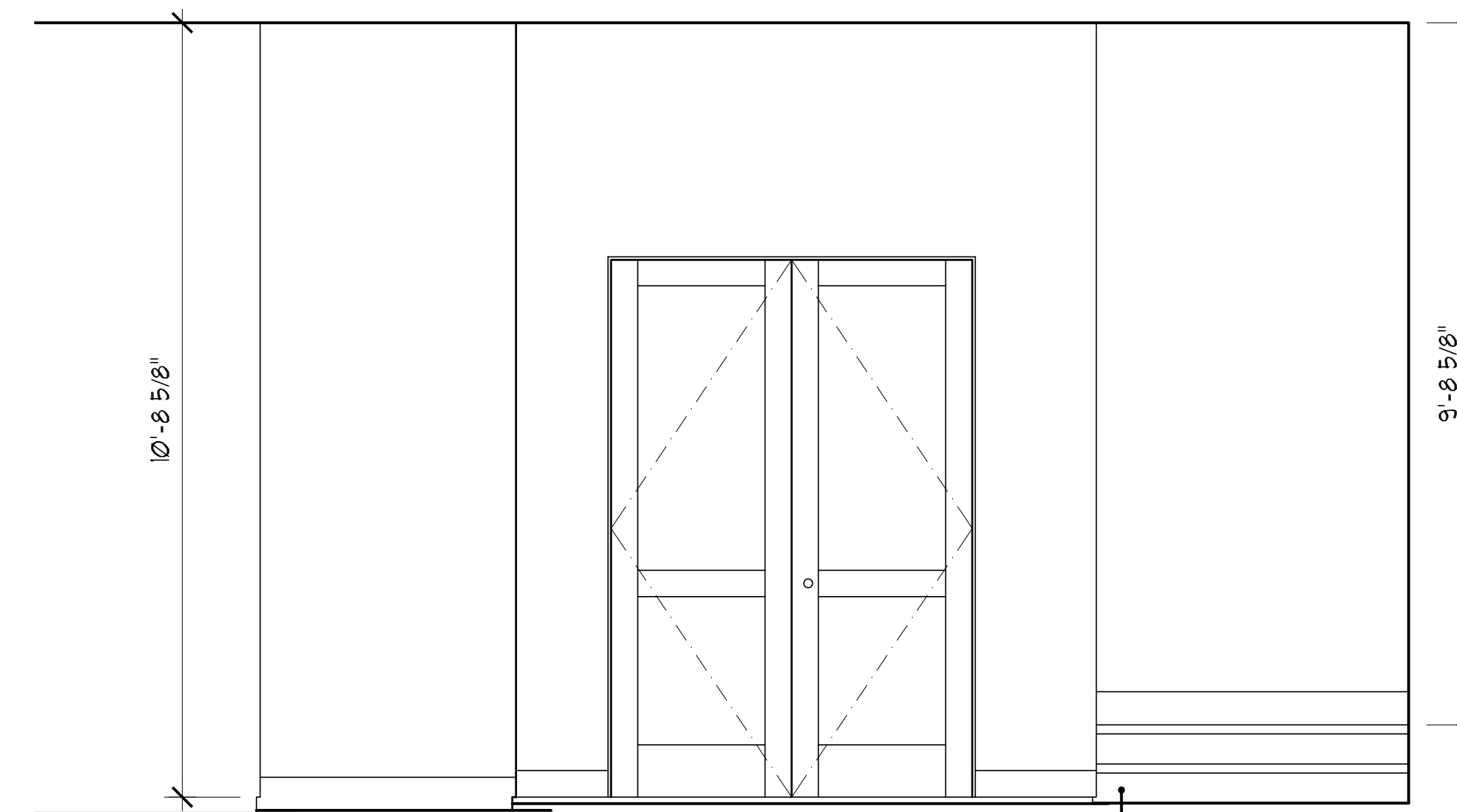
D



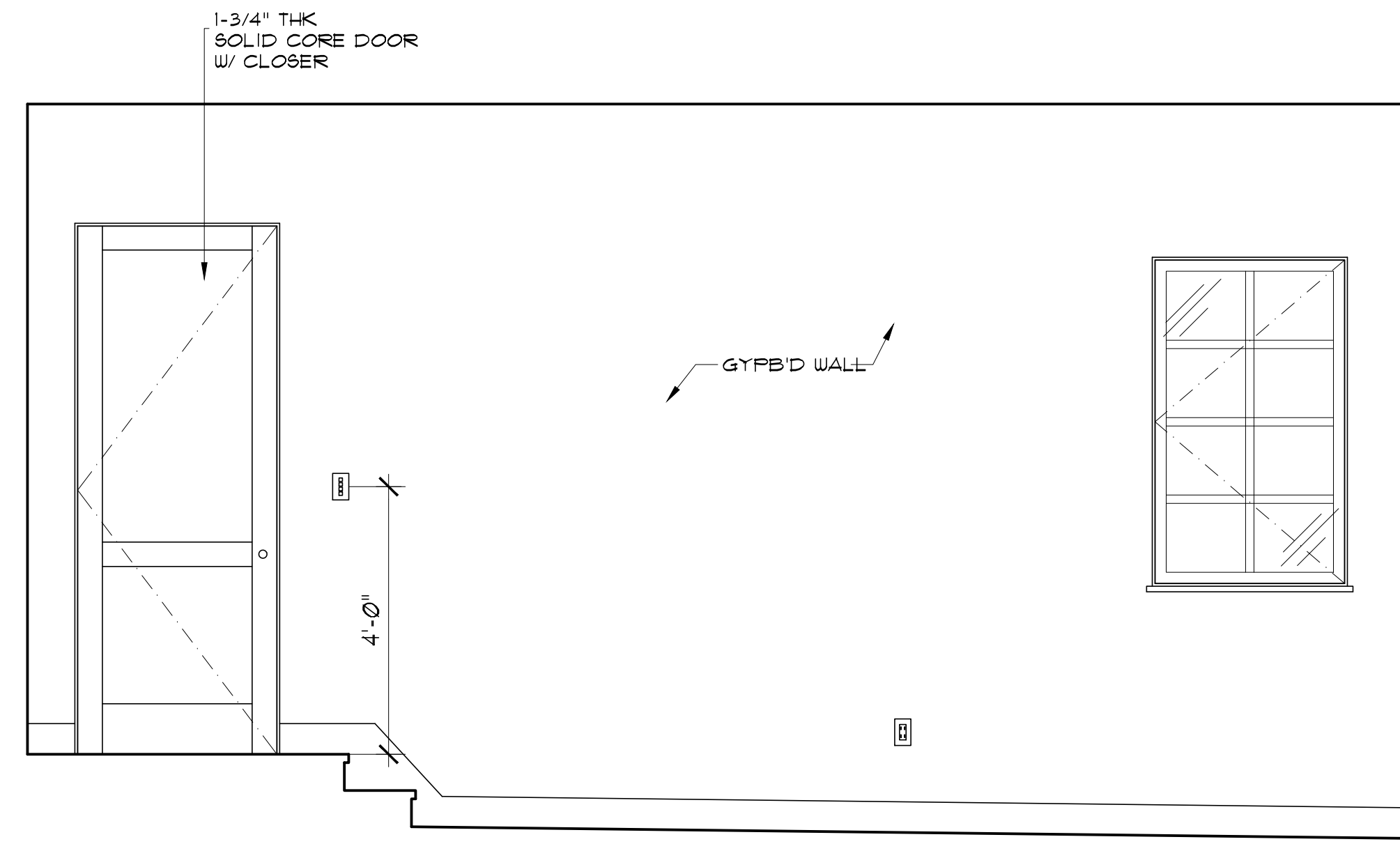
A GOLF CART GARAGE
SCALE: 1/2" = 1'-0"



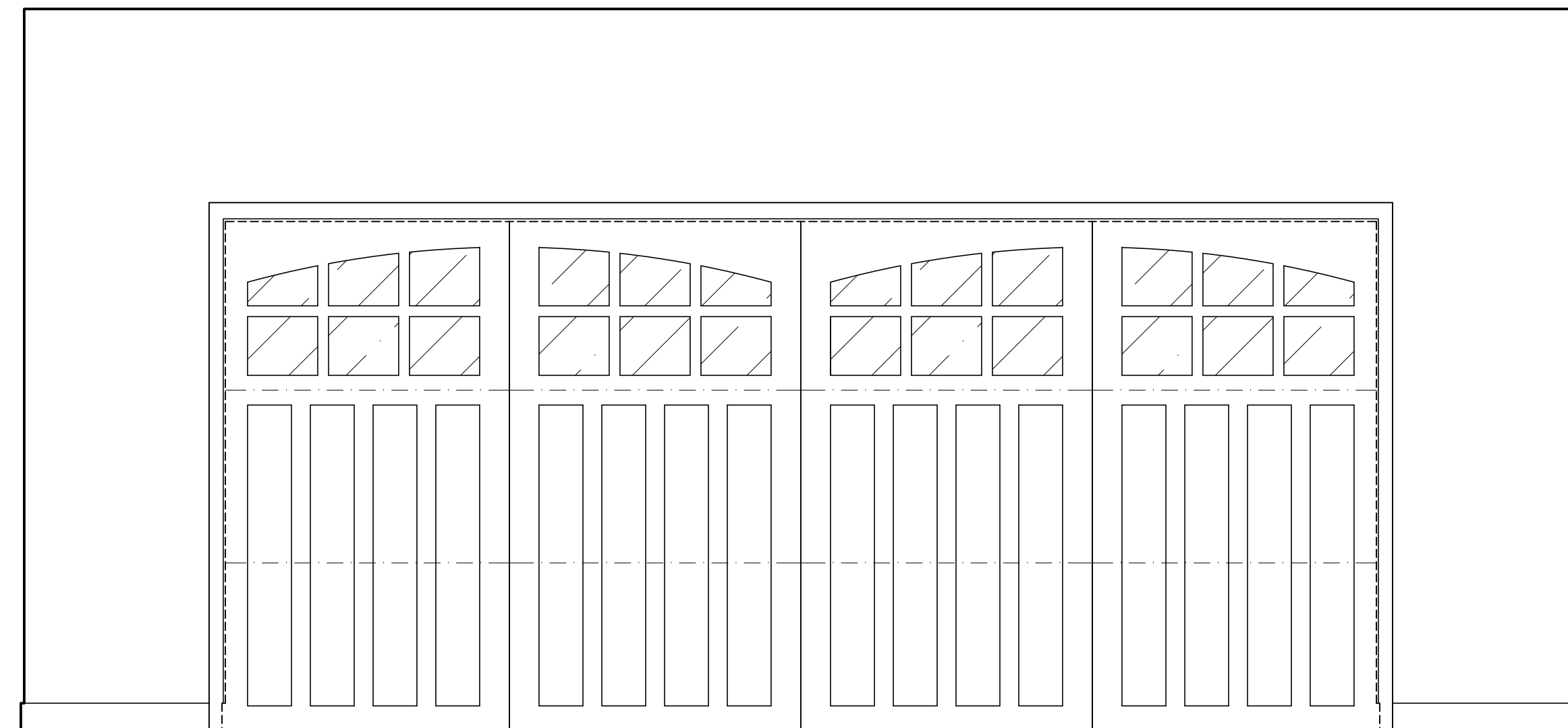
B



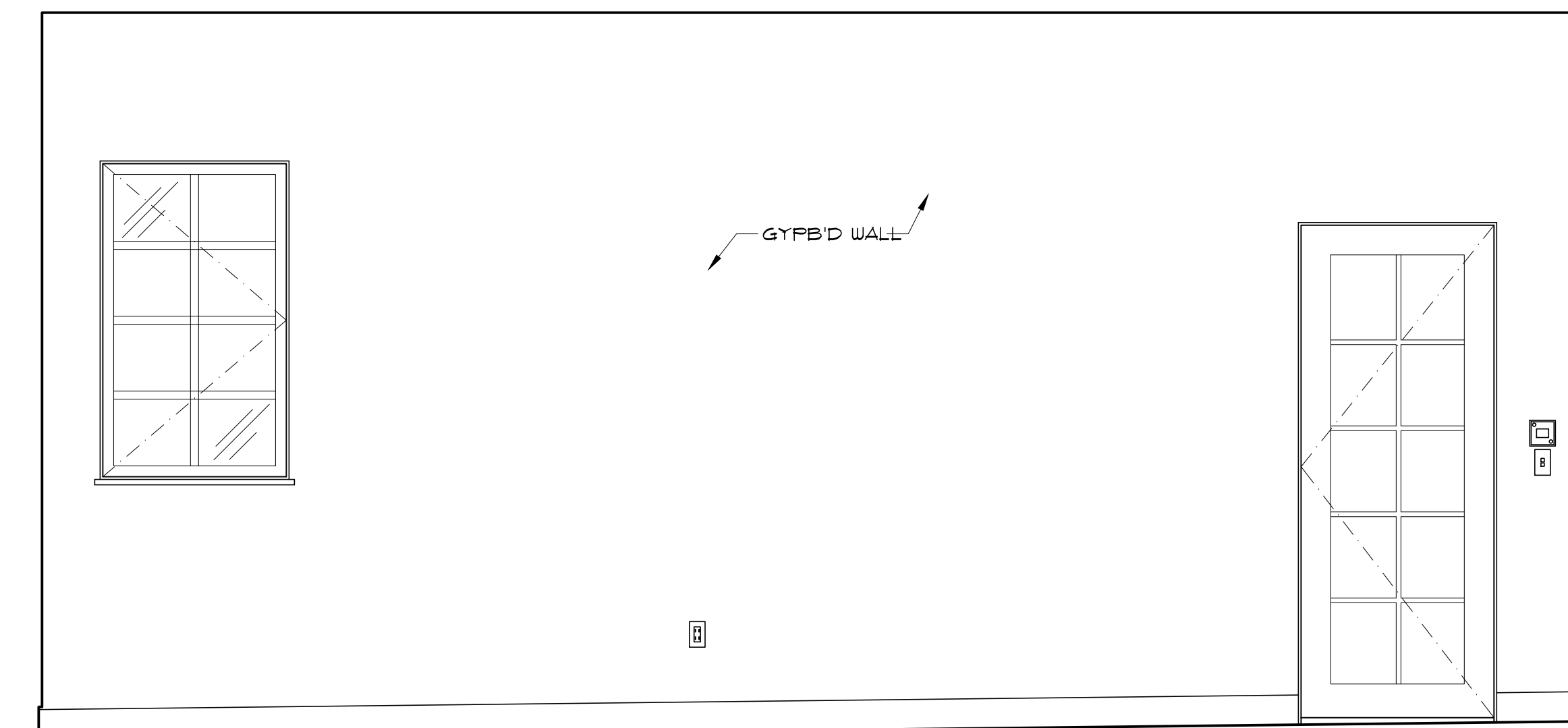
C



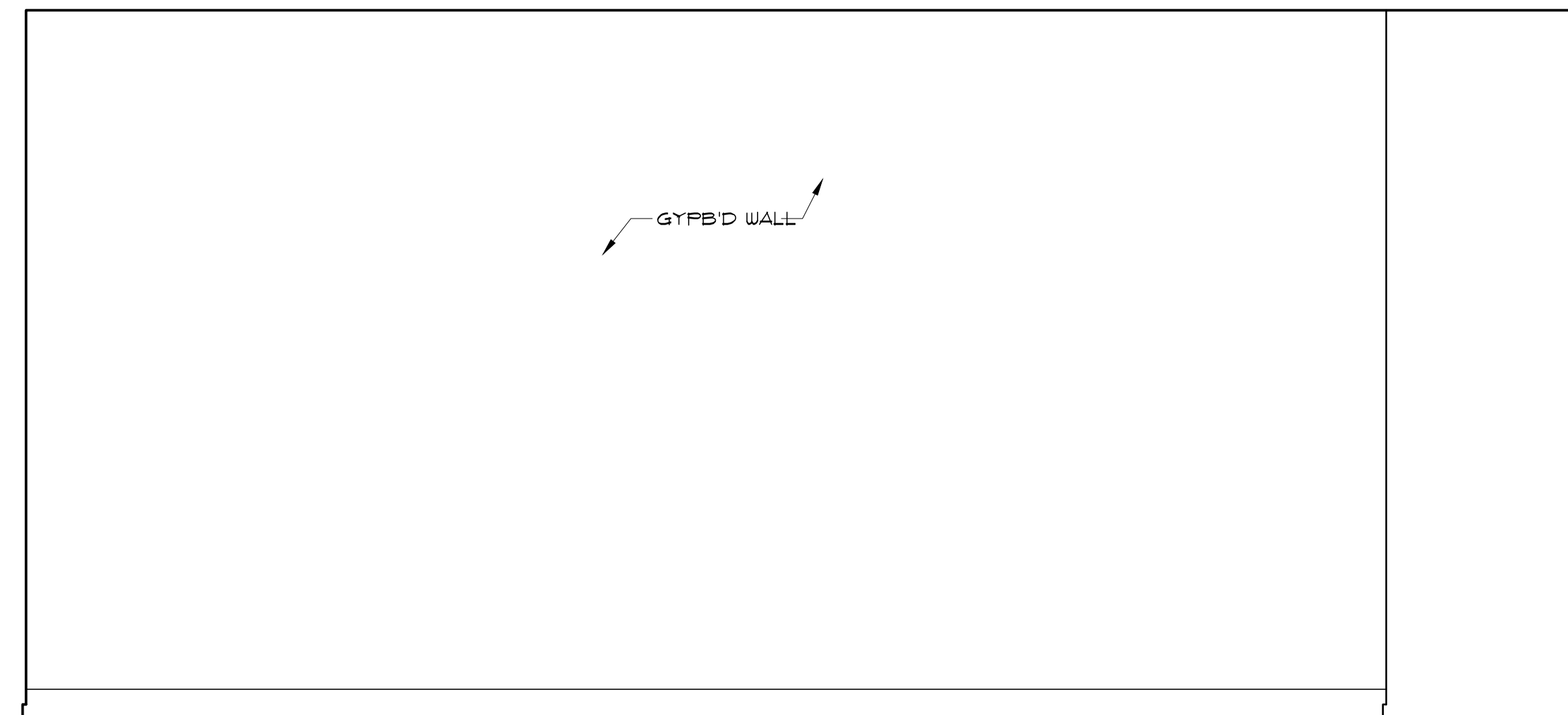
D



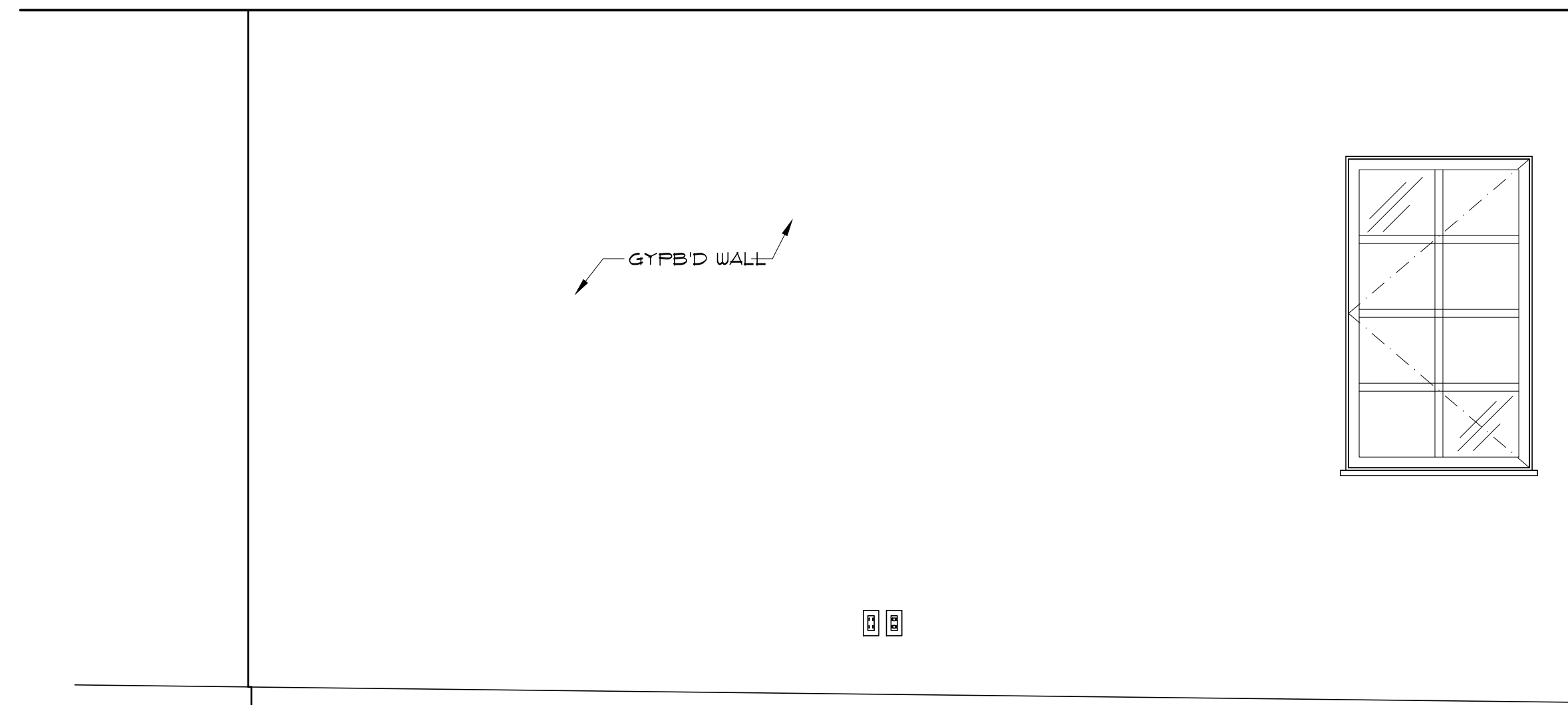
A GARAGE
SCALE: 1/2" = 1'-0"



B



C



D

636 Launika St.
Honolulu, HI 96819
Tel: 808-842-4929
Web: nanainc.com

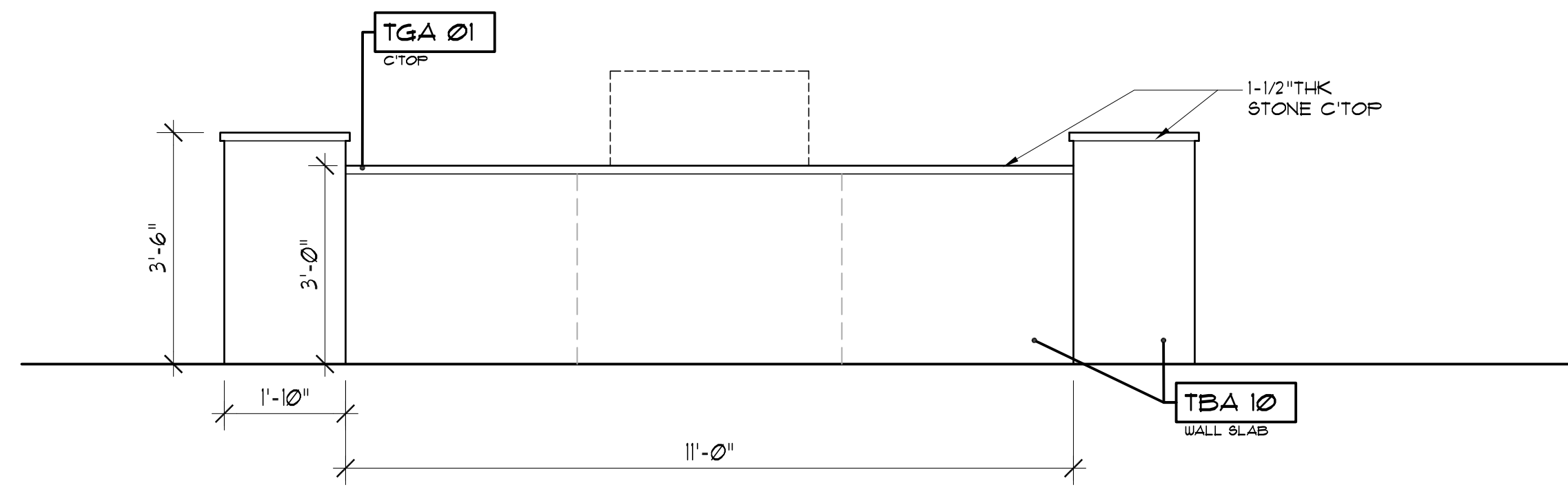
Nan Inc

Kapalua Mauka Mahana Estates - Model A1

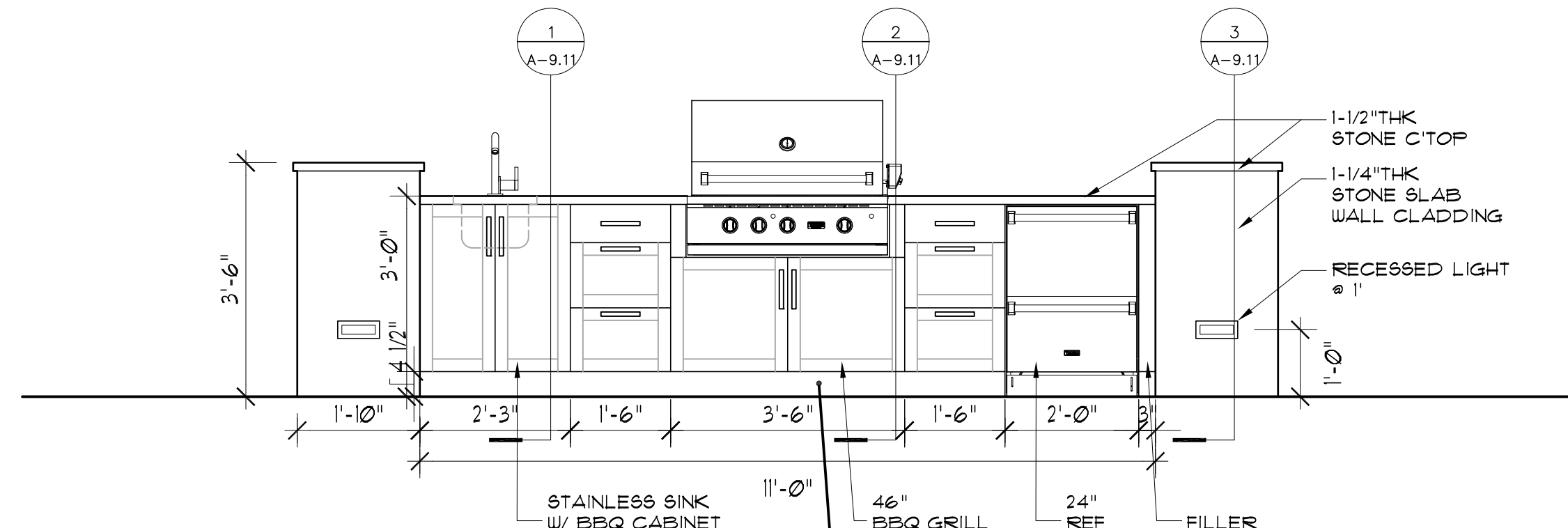
Kapalua, Maui, Hawaii
INTERIOR ELEVATIONS

REVISIONS:
06/06/2014
07/13/2014
08/02/2016
07/13/2016
07/13/2016

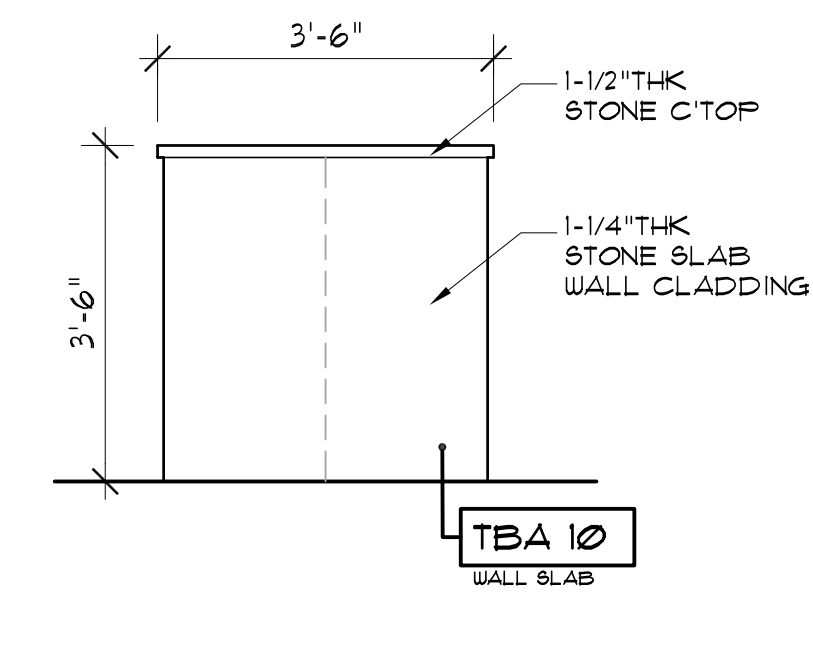
SHEET - OF -
A-8.11
DATE: -



BBQ PAVILION
SCALE: 1/2" = 1'-0"



C



BD

636 Launika St.
Honolulu, HI 96819
Tel: 808-842-9929
Web: nanainc.com

Nan Inc

Kapalua Mauka Mahana Estates - Lot 1

Kapalua, Maui, Hawaii

INTERIOR ELEVATIONS

REVISIONS:
12.25.08 - ACC 43

SHEET - OF -

A-8.12

DATE: -

DOOR SCHEDULE

DOOR SCHEDULE								
Door No.	Location	Type	Description	Door Thk.	Net Frame Size		Safety Glass	Pella Door # / Remarks
					Width	Height		
Main Residence - Lower Level								
1	Entry Foyer to Entry Porch	A	Double Swing Rail & Stile Entry Door w/ Decorative Glass Panel	1-3/4"	6'-2 1/2"	8'-0 1/8"		Custom Door
2	Master Bedroom to Master Terrace	E	4 Panel 'OXXO' Sliding Door		15'-8 1/8"	9'-6 1/2"	✓	
3	Great Room to Covered Lanai	F	6 Panel 'XXXXXX' Multi-Panel Sliding Pocket Door	2-1/4"	32'-0 1/8"	9'-0 3/4"	✓	Custom Door
4	Great Room to Covered Lanai	G	3 Panel 'XXXX' Multi-Panel Sliding Pocket Door	2-1/4"	13'-10 1/8"	9'-0 3/4"	✓	Custom Door
5	Bedroom Suite 1 to Bedroom 1 Terrace	E	4 Panel 'OXXO' Sliding Door		11'-8 1/8"	9'-6 1/2"	✓	
6	Bath 1 to Privacy Garden	B	Hinged Patio Door w/ Decorative Glass Panel		2'-9 1/2"	7'-11 1/2"	✓	Custom Door
7	Bedroom Suite 2 to Terrace	D	2 Panel 'XO' Sliding Door		7'-11 1/4"	7'-11 1/4"	✓	
8	Bedroom Suite 3 to Terrace	D	2 Panel 'XO' Sliding Door		7'-11 1/4"	7'-11 1/4"	✓	
9	Utility Closet to Exterior	K	Double Swing Fiberglass Door	1-3/4"	6'-2 1/2"	7'-2"		
10	Garage to Exterior	C	Hinged Patio Door (No Screen)	1-3/4"	3'-1 7/8"	7'-11 1/2"		3896; Verify with Garage floor slope
11	Garage to Exterior	H	Sectional Overhead Roll-Up Garage Door		17'-10 3/4"	7'-10 1/4"		Verify with Garage floor slope
12	Golf Cart Garage to Exterior	J	Sectional Overhead Roll-Up Garage Door		6'-10 3/4"	7'-6 5/8"		Verify with Garage floor slope
13	Dining to Master Bedroom Alcove	L	Double Swing Rail & Stile Door w/ Decorative Glass Panel	1-3/4"	5'-2 1/2"	8'-0 1/8"		Custom Door
14	Master Bedroom Alcove to Closet	N	Single Swing Rail & Stile Door	4-3/4"	3'-2 1/2"	8'-0 1/8"		DELETE
15	Master Bedroom Alcove to Master Bath	N	Single Swing Rail & Stile Door	1-3/4"	2'-10 1/2"	8'-0 1/8"		
16	Master Bath to Toilet	N	Single Swing Rail & Stile Door	1-3/4"	2'-8 1/2"	8'-0 1/8"		
17	Master Bathroom to Walk-in Closet	N	Single Swing Rail & Stile Door	1-3/4"	2'-8 1/2"	8'-0 1/8"		
18	Great Room to Pantry	M	Single Swing Rail & Stile Door w/ Decorative Glass Panel	1-3/4"	2'-8 1/2"	8'-0 1/8"		Custom Door
19	Great Room to Bedroom Suite 1 Alcove	N	Single Swing Rail & Stile Door	1-3/4"	3'-2 1/2"	8'-0 1/8"		
20	Bedroom Suite 1 Alcove to Walk-in Closet	N	Single Swing Rail & Stile Door	1-3/4"	2'-10 1/2"	8'-0 1/8"		
21	Bedroom Suite 1 Alcove to Bath 1	N	Single Swing Rail & Stile Door	1-3/4"	2'-10 1/2"	8'-0 1/8"		
22	Bath 1 to Toilet	N	Single Swing Rail & Stile Door	1-3/4"	2'-8 1/2"	8'-0 1/8"		
23	Gallery to Powder Room	N	Single Swing Rail & Stile Door	1-3/4"	2'-10 1/2"	8'-0 1/8"		
24	Gallery to Elec. Closet	N	Single Swing Rail & Stile Door	1-3/4"	2'-8 1/2"	8'-0 1/8"		
25	Gallery to Closet	N	Single Swing Rail & Stile Door	1-3/4"	2'-8 1/2"	8'-0 1/8"		
26	Alcove to Laundry	N	Single Swing Rail & Stile Door	1-3/4"	3'-2 1/2"	8'-0 1/8"		
27	Alcove to Bedroom Suite 2	N	Single Swing Rail & Stile Door	1-3/4"	3'-2 1/2"	8'-0 1/8"		
28	Bedroom Suite 2 to Walk-in Closet	N	Single Swing Rail & Stile Door	1-3/4"	2'-8 1/2"	8'-0 1/8"		
29	Bedroom Suite 2 to Bath 2	N	Single Swing Rail & Stile Door	1-3/4"	2'-10 1/2"	8'-0 1/8"		
30	Bedroom Suite 2 to Toilet	N	Single Swing Rail & Stile Door	1-3/4"	2'-8 1/2"	8'-0 1/8"		
31	Alcove to Bedroom Suite 3	N	Single Swing Rail & Stile Door	1-3/4"	3'-2 1/2"	8'-0 1/8"		
32	Bedroom Suite 3 to Closet	O	3-Panel By-Passing Sliding Closet Door w/ Louvered panels	1-3/4"	9'-9 1/8"	8'-1 5/8"		
33	Bedroom Suite 3 to Bath 3	N	Single Swing Rail & Stile Door	1-3/4"	2'-10 1/2"	8'-0 1/8"		
34	Alcove to Golf Cart Garage	P	Single Swing Rail & Stile Door w/ Closer	1-3/4"	3'-2 1/2"	8'-0 1/8"		Must be fire rated.
35	Golf Cart Garage to Garage Storage	Q	Double Swing Rail & Stile Door	1-3/4"	5'-2 1/2"	7'-5 3/4"		

WINDOW SCHEDULE

Win No.	Location	Type	Description	Net Frame Size		Safety Glass	Pella Window # / Remarks
				Width	Height		
1	Entry Foyer	A	Casement	2'-1"	5'-5"	✓	2573
2	Entry Foyer	A	Casement	2'-11"	5'-5"		3573
3	Master Bath	B	Double Casement	4'-10"	6'-1"	✓	2973 with 2973
4	Master Bath (Shower)	E	Awning	2'-11"	1'-9"	✓	3521
5	Master Bedroom (Walk-in Closet)	A	Casement	2'-5"	4'-5"		2965
6	Master Bedroom	A1	Casement	1'-11"	5'-5"		2365
7	Master Bedroom	A1	Casement	2'-5"	5'-5"		2965
8	Master Bedroom	D	Fixed	4'-11"	5'-5"		5965
9	Master Bedroom	A1	Casement	2'-5"	5'-5"		2965
10	Master Bedroom	A1	Casement	1'-11"	5'-5"		2365
11	Bedroom Suite 1	B	Double Casement	4'-10"	5'-5"		2965 with 2965
12	Bedroom Suite 1	A1	Casement	1'-11"	5'-5"		2365
13	Bath 1	B	Double Casement	4'-10"	6'-1"	✓	2973 with 2973
14	Bedroom Suite 2	A	Casement	2'-5"	5'-5"	✓	2959
15	Bath 2 (Shower)	E	Awning	2'-11"	1'-9"	✓	3521
16	Bath 3	C	Double Casement	3'-10"	5'-5"	✓	2365 with 2365
17	Bedroom Suite 3	A	Casement	2'-5"	5'-5"	✓	2959
18	Bedroom Suite 3	A	Casement	2'-5"	5'-5"		2959
19	Garage	A	Casement	2'-11"	4'-11"		3559
20	Garage	A	Casement	2'-11"	4'-11"		3559
21	Golf Cart Garage	A	Casement	2'-11"	4'-11"		3559
22	Laundry	B	Double Casement	4'-2"	5'-11"		2553 with 2553
T1	Entry Foyer	J	Tempered Glass Panels w/ Silicone Joints			✓	Field Verify
T2	Entry Foyer	J	Tempered Glass Panels w/ Silicone Joints			✓	Field Verify
T3	Great Room	J	Tempered Glass Panels w/ Silicone Joints			✓	Field Verify
T4	Great Room	J	Tempered Glass Panels w/ Silicone Joints			✓	Field Verify
T5	Great Room Clerestory	F	Awning	3'-3"	1'-9"	✓	Special Frame Width
T6	Great Room Clerestory	F	Awning	3'-3"	1'-9"	✓	Special Frame Width
T7	Great Room Clerestory	F	Awning	3'-3"	1'-9"	✓	Special Frame Width
T8	Great Room Clerestory	F	Awning	3'-3"	1'-9"	✓	Special Frame Width
T9	Great Room Clerestory	F	Awning	3'-3"	1'-9"	✓	Special Frame Width
T10	Great Room Clerestory	F	Awning	3'-3"	1'-9"	✓	Special Frame Width
T11	Great Room Clerestory	F	Awning	3'-3"	1'-9"	✓	Special Frame Width
T12	Great Room Clerestory	F	Awning	3'-3"	1'-9"	✓	Special Frame Width
T13	Great Room Clerestory	F	Awning	3'-3"	1'-9"	✓	Special Frame Width
T14	Great Room Clerestory	F	Awning	3'-3"	1'-9"	✓	Special Frame Width
T15	Great Room Clerestory	F	Awning	3'-3"	1'-9"	✓	Special Frame Width
T16	Great Room Clerestory	F	Awning	3'-3"	1'-9"	✓	Special Frame Width
T17	Great Room Clerestory	F	Awning	3'-3"	1'-9"	✓	Special Frame Width
T18	Great Room Clerestory	F	Awning	3'-3"	1'-9"	✓	Special Frame Width
T19	Great Room Clerestory	F	Awning	3'-3"	1'-9"	✓	Special Frame Width
T20	Great Room Clerestory	F	Awning	3'-3"	1'-9"	✓	Special Frame Width
T21	Master Bedroom	F	Awning	3'-5"	4'-9"	✓	4121
T22	Master Bedroom	H	Double Awning	7'-11"	4'-9"	✓	Special Frame Width
T23	Master Bedroom	F	Awning	3'-5"	4'-9"	✓	4121
T24	Bedroom Suite 1	E	Awning	2'-11"	4'-9"	✓	3521
T25	Bedroom Suite 1	G	Awning	4'-11"	4'-9"	✓	5921
T26	Bedroom Suite 1	E	Awning	2'-11"	4'-9"	✓	3521

GATE SCHEDULE

Gate No.	Location	Type	Manufacturer	Design	Description	Gate Thk.	Finished Opening Dim		Remarks
							Width	Height	
G1	Entry Courtyard	AA	Custom	Weaved Pattern	Double Swing Wood Entry Gate	1-3/4"	6'-4"	6'-6"	Owner furnished, contractor installed Curved Panels. Self closing hinges, self-latching lockset
G2	Master Bedroom Suite Privacy Garden	BB	Custom	Vertical	Single Swing Wood Gate	1-3/4"	3'-4"	6'-0"	Self closing hinges, self-latching lockset
G3	Utility Yard	BB	Custom	Vertical	Single Swing Wood Gate	1-3/4"	3'-4"	6'-0"	Self closing hinges, self-latching lockset

636 Launika St.
Honolulu, HI 96819
Tel: 808-842-4929
Web: nanhawaii.com

Nan Inc

Kapalua Mauka Mahana Estates - Model A1

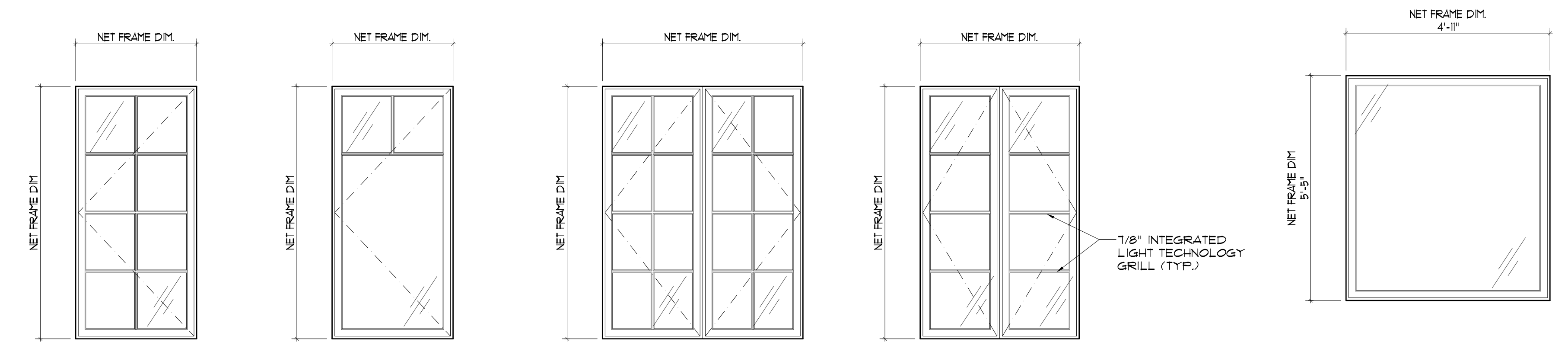
Kapalua, Maui, Hawaii
DOOR, WINDOW & GATE SCHEDULE

REVISIONS:
04-06-2014
07-22-2014
08-07-2014
07-13-2015
11-04-2015 - ACC 21

SHEET - OF -

A-9.1

DATE: -



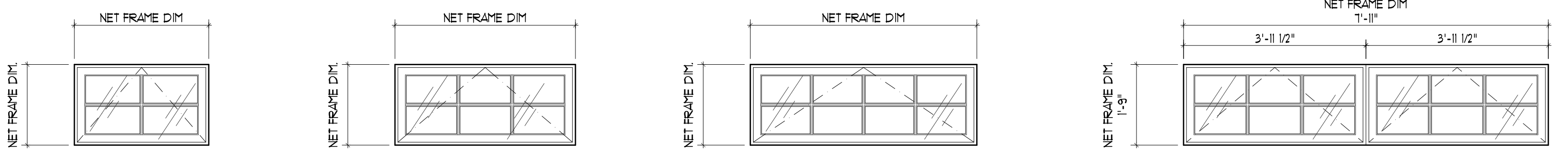
TYPE "A"
PELLA ARCHITECT SERIES
CASEMENT WINDOW
(ALUMINUM CLAD EXTERIOR,
PAINT GRADE WOOD INTERIOR)

TYPE "A1"
PELLA ARCHITECT SERIES
CASEMENT WINDOW
(ALUMINUM CLAD EXTERIOR,
PAINT GRADE WOOD INTERIOR)

TYPE "B"
PELLA ARCHITECT SERIES
DOUBLE CASEMENT WINDOW
(ALUMINUM CLAD EXTERIOR,
PAINT GRADE WOOD INTERIOR)

TYPE "C"
PELLA ARCHITECT SERIES
DOUBLE CASEMENT WINDOW
(ALUMINUM CLAD EXTERIOR,
PAINT GRADE WOOD INTERIOR)

TYPE "D"
PELLA ARCHITECT SERIES
FIXED WINDOW
(ALUMINUM CLAD EXTERIOR,
PAINT GRADE WOOD INTERIOR)



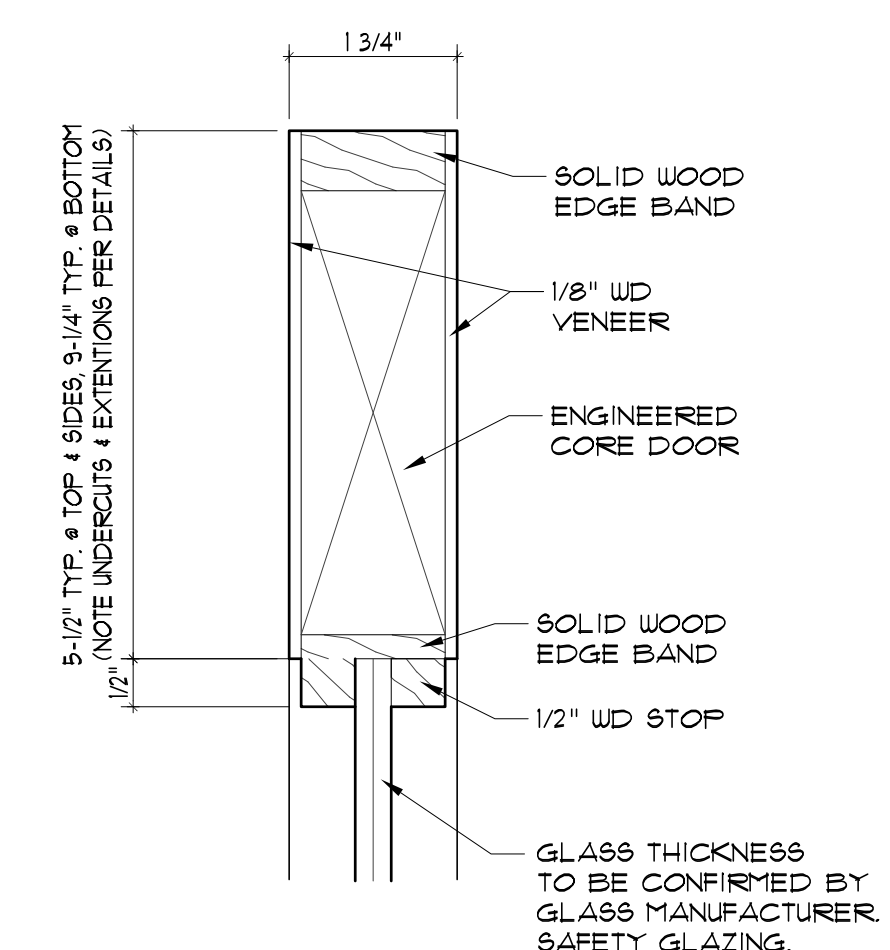
TYPE "E"
PELLA ARCHITECT SERIES
AWNING WINDOW
(ALUMINUM CLAD EXTERIOR,
PAINT GRADE WOOD INTERIOR)

TYPE "E1"
PELLA ARCHITECT SERIES
AWNING WINDOW
(ALUMINUM CLAD EXTERIOR,
PAINT GRADE WOOD INTERIOR)

TYPE "G"
PELLA ARCHITECT SERIES
AWNING WINDOW
(ALUMINUM CLAD EXTERIOR,
PAINT GRADE WOOD INTERIOR)

TYPE "H"
PELLA ARCHITECT SERIES
DOUBLE AWNING WINDOW
(ALUMINUM CLAD EXTERIOR,
PAINT GRADE WOOD INTERIOR)

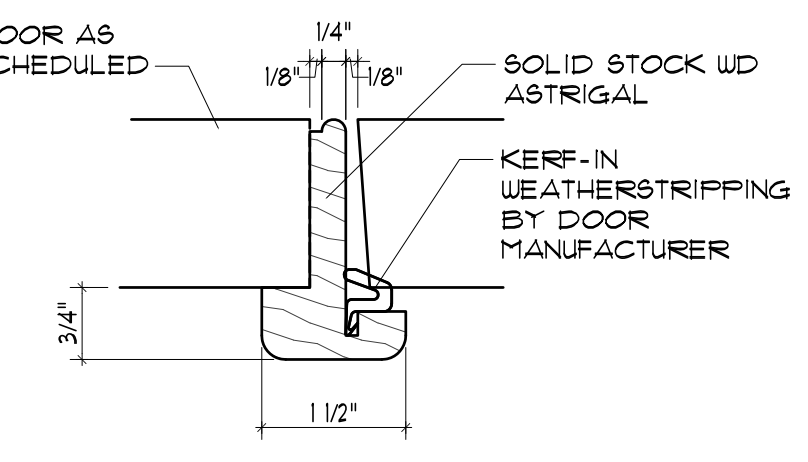
WINDOW TYPES
SCALE: 1/2" = 1'-0"



TOP & BOTTOM RAIL & VERT STILE

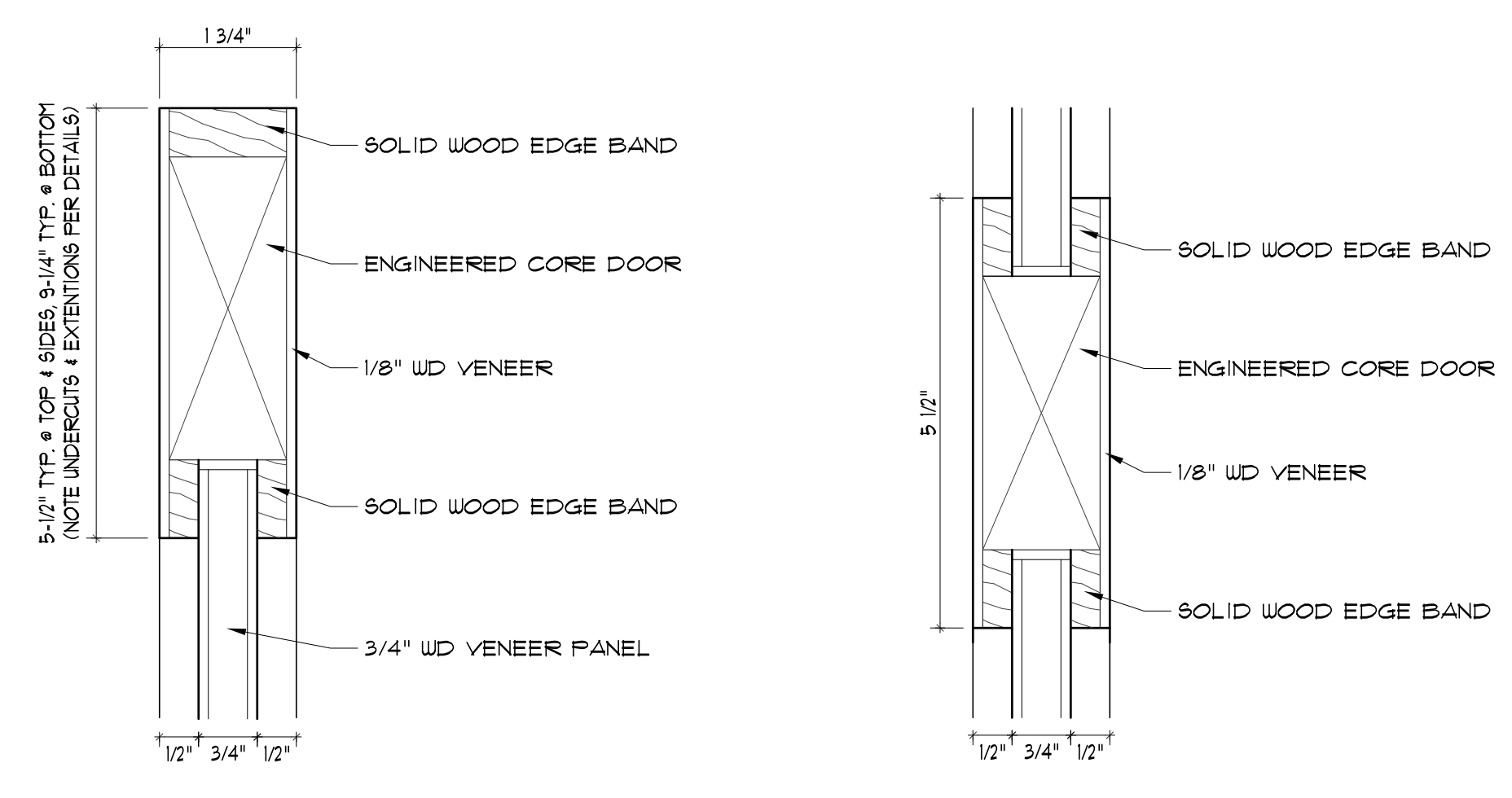
GLASS PANEL DOOR

GLASS DOOR DETAILS
SCALE: 6" = 1'-0"



ASTRIGAL

ASTRIGAL DETAIL
SCALE: 6" = 1'-0"

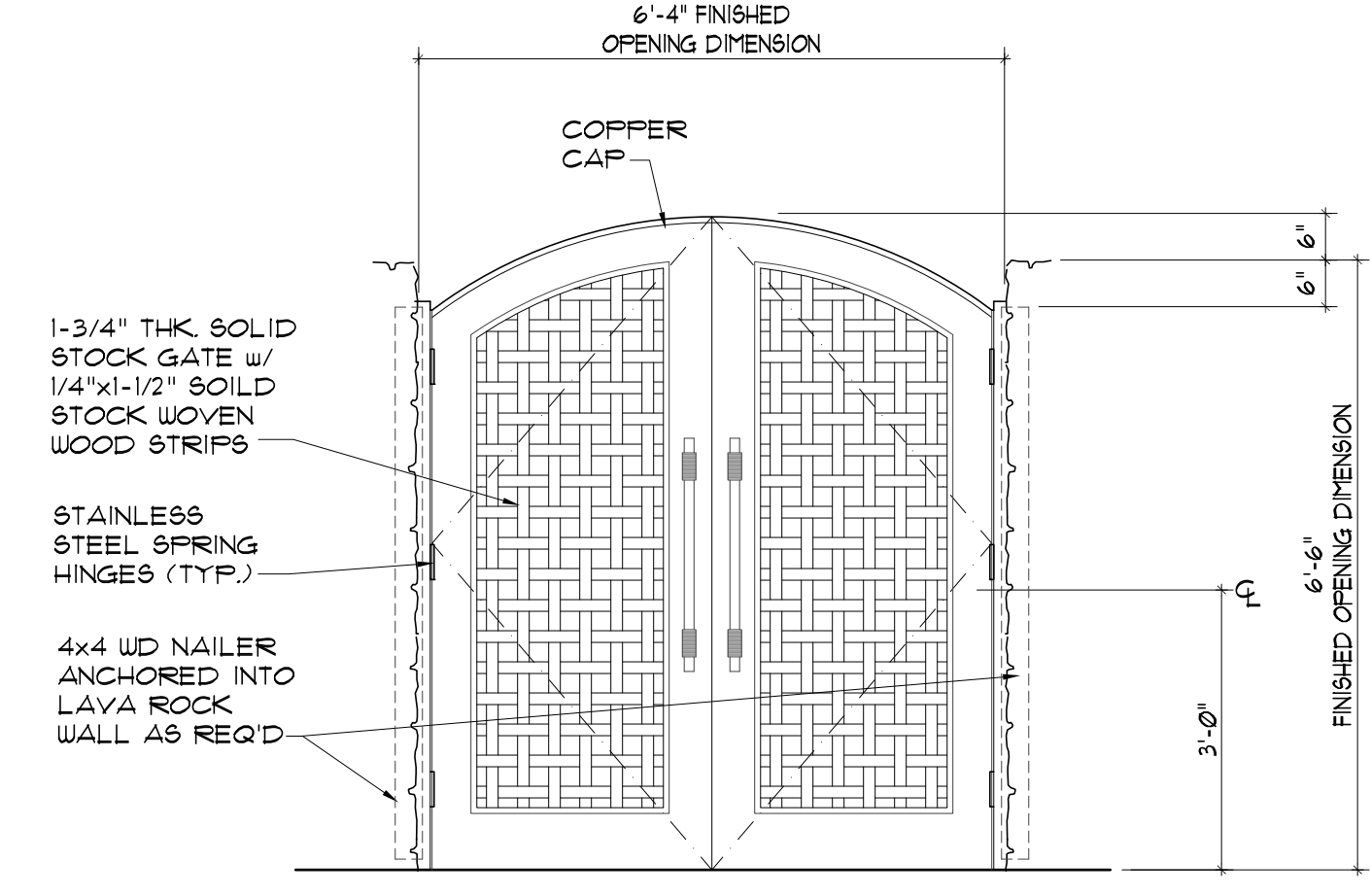


DOOR STILE

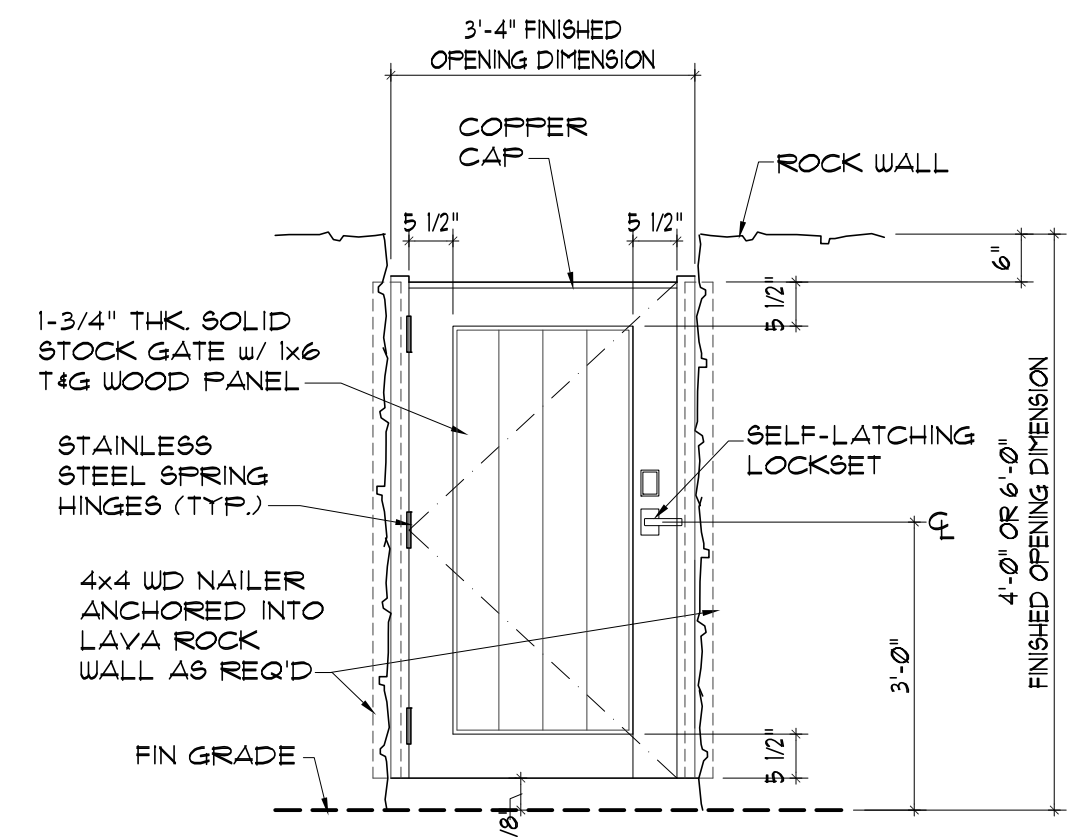
LOCK RAIL

FLAT PANEL DOOR

INTERIOR DOOR DETAILS
SCALE: 6" = 1'-0"

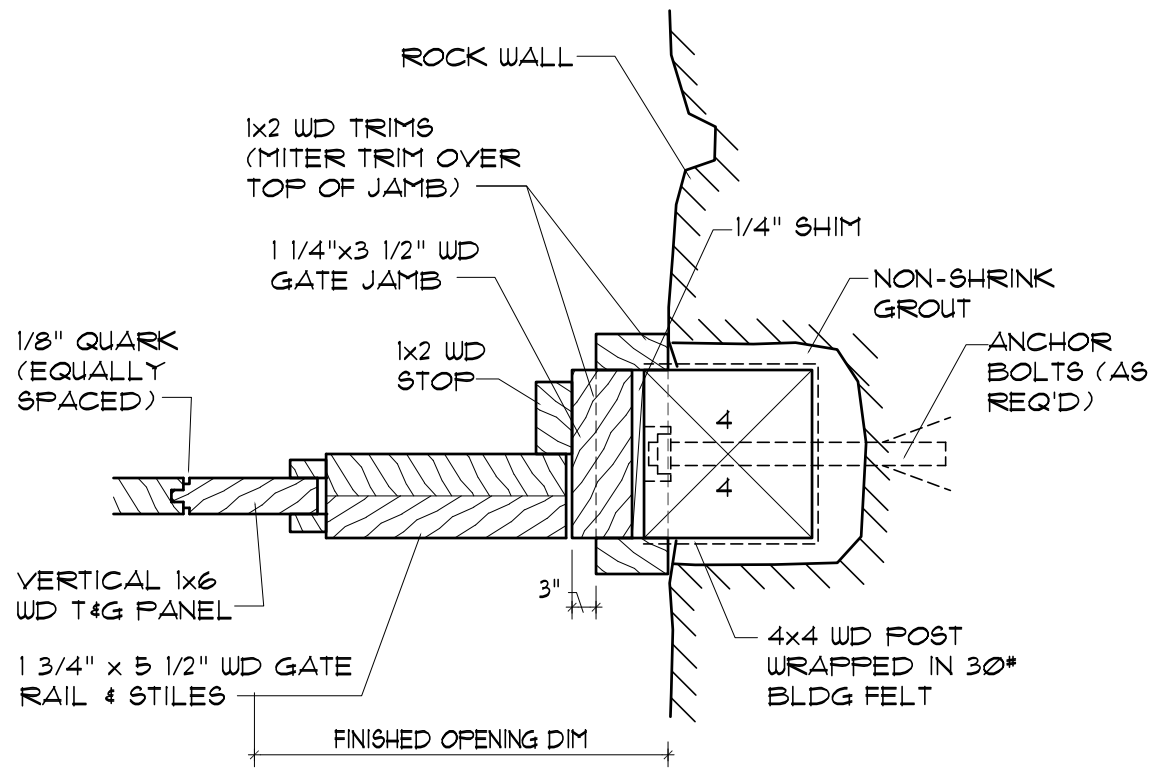


TYPE "AA"
(CLEAR FINISH)

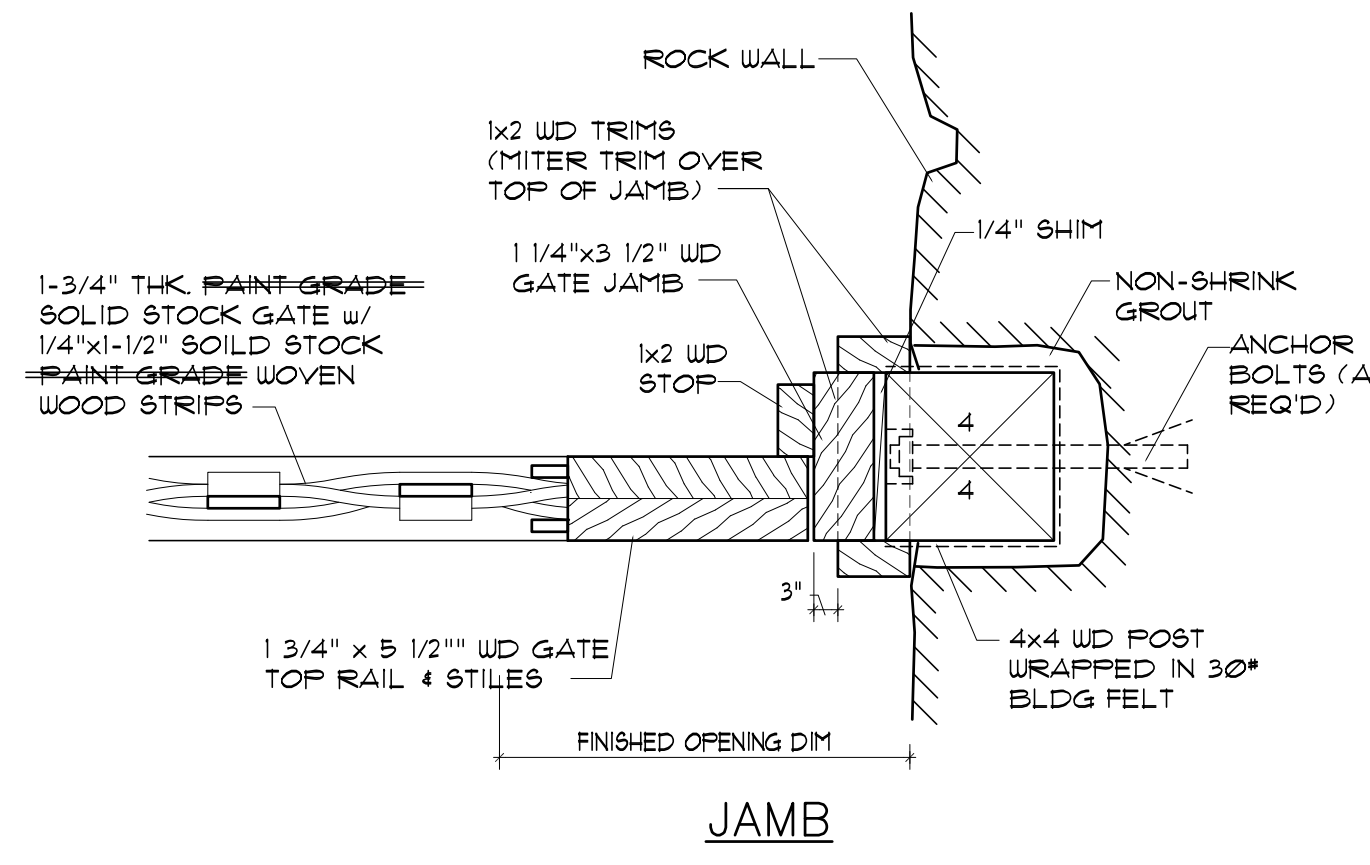


TYPE "BB"
(CLEAR FINISH)

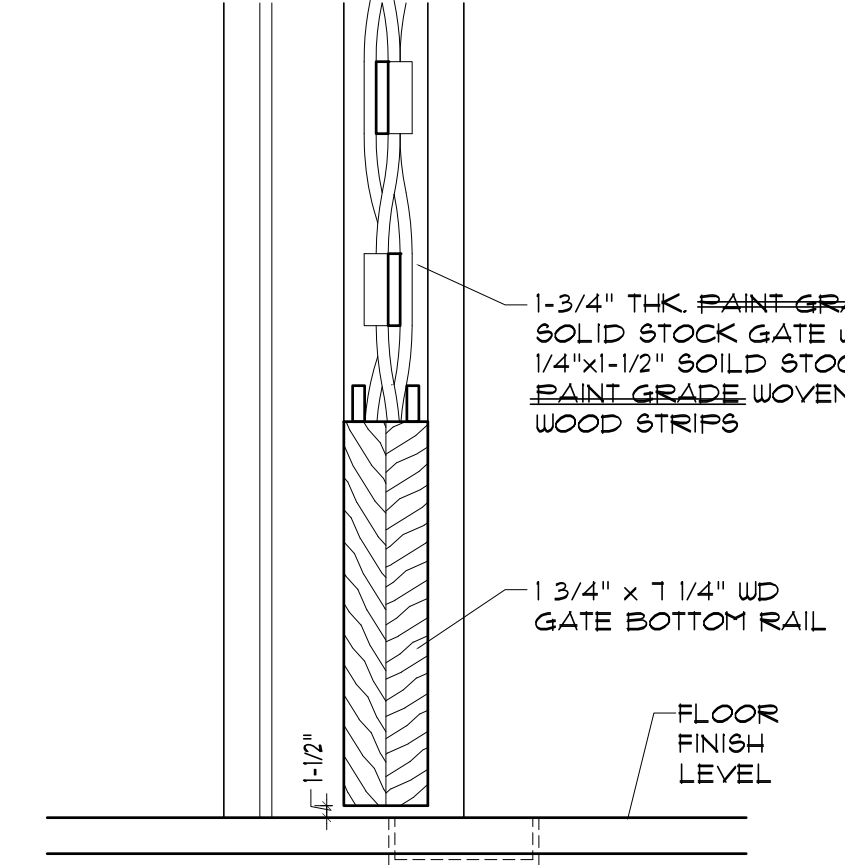
GATE TYPES
SCALE: 1/2" = 1'-0"



TYPICAL GATE JAMB DETAIL
SCALE: 3" = 1'-0"



JAMB



THRESHOLD

ENTRY GATE DETAIL
SCALE: 3" = 1'-0"

GATE DETAILS
SCALE: 3" = 1'-0"

636 Launika St.
Honolulu, HI 96819
Tel: 808-842-9929
Web: nanhawaii.com

Nan Inc

Kapalua Mauka Mahana Estates - Model A1
Kapalua, Maui, Hawaii

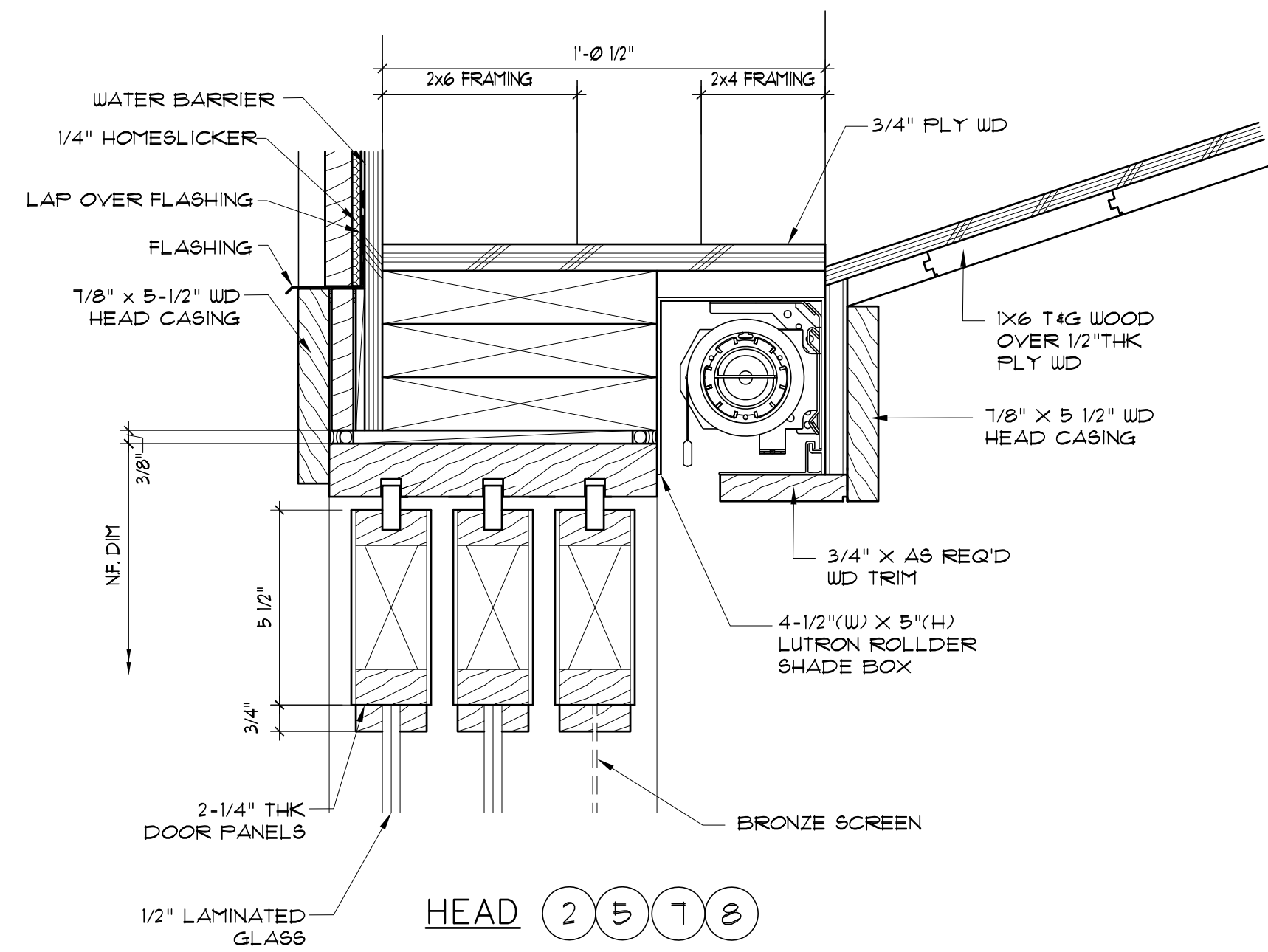
WINDOW & GATE TYPES, DOOR & GATE TYPES DETAILS

REVISIONS:
08-20-2014
01-23-2014
06-02-2015
07-13-2015
07-20-2015 WCD 56

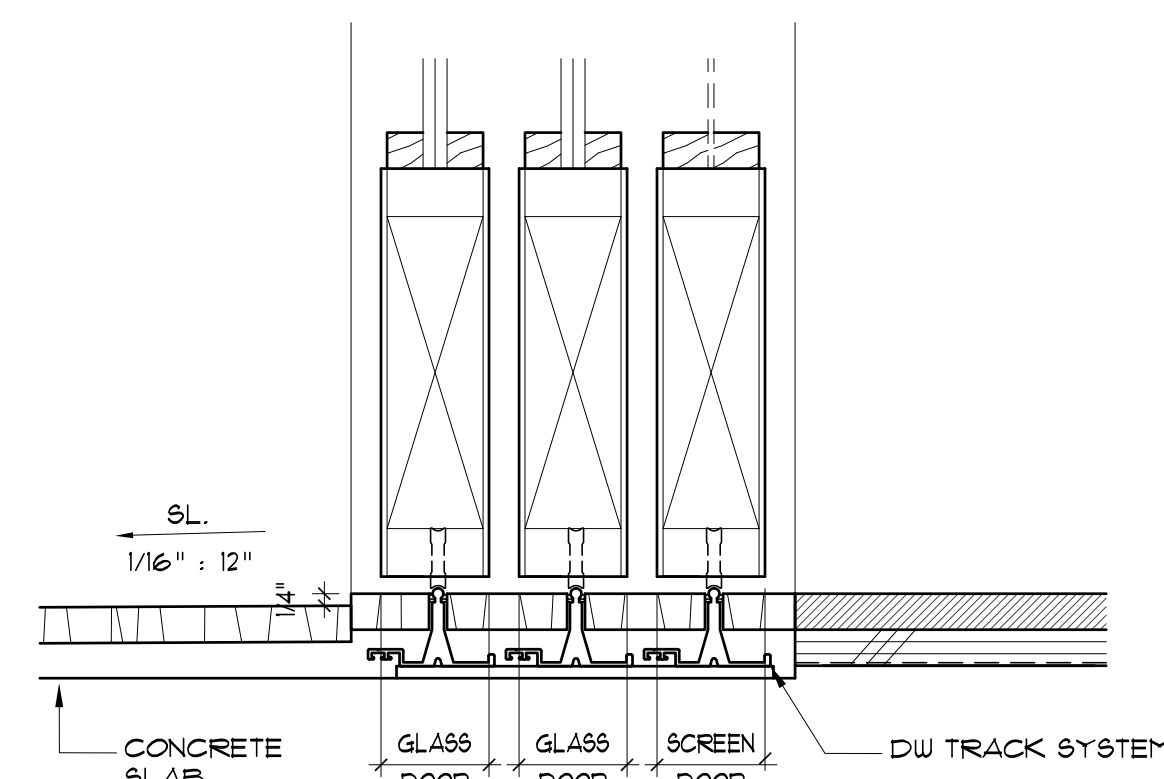
SHEET - OF -

A-9.3

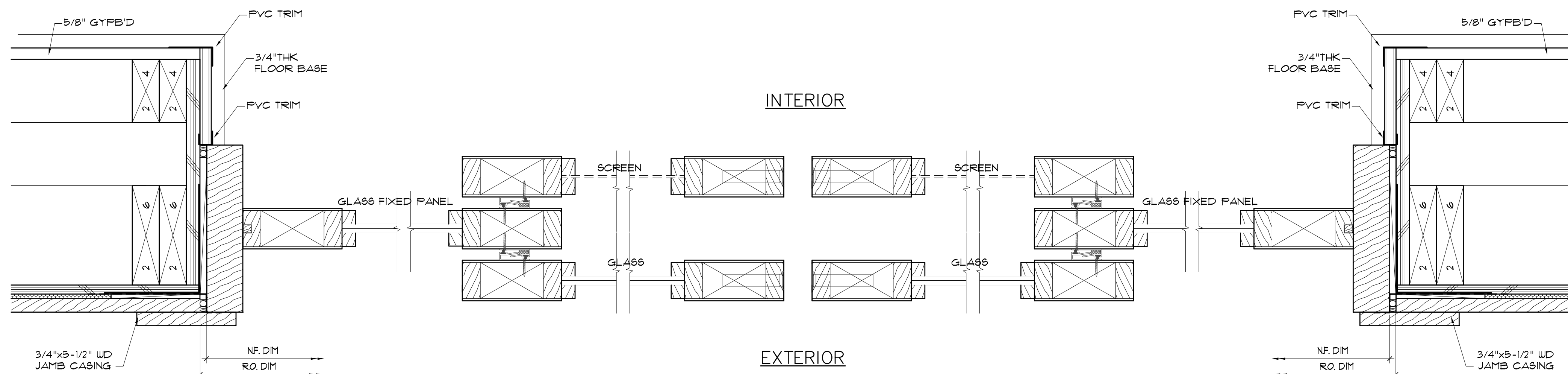
DATE: -



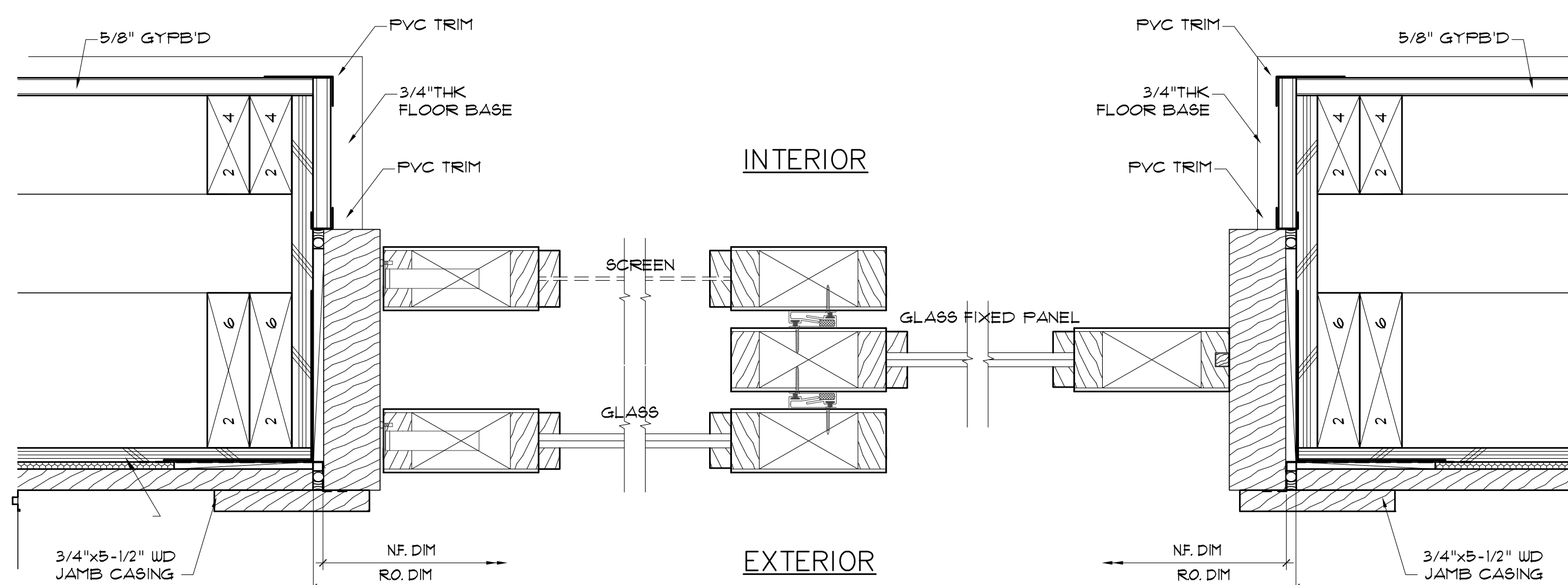
HEAD (2) (5) (1) (8)



THRESHOLD (2) (5) (1) (8)

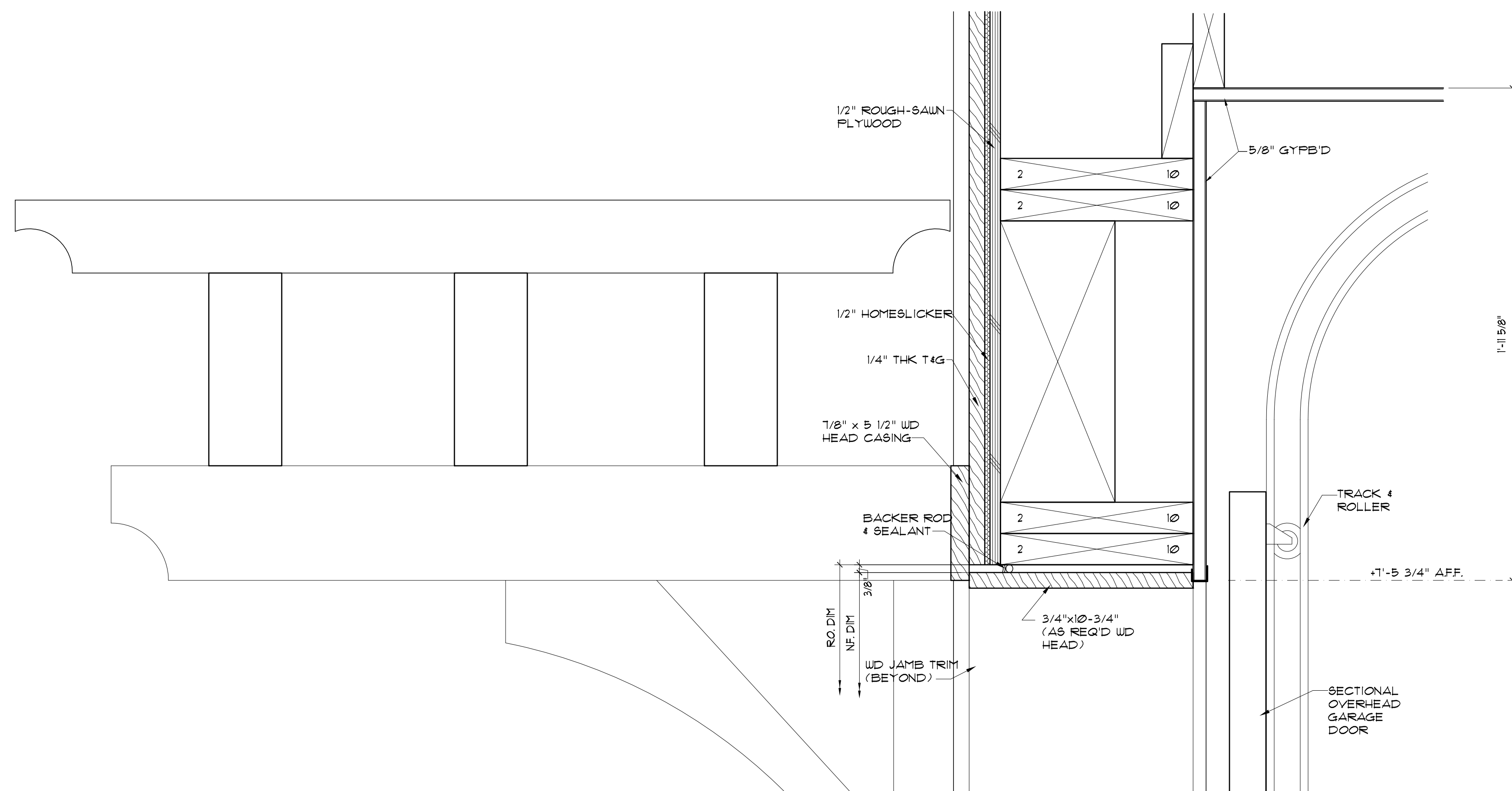


JAMB (2) (5)

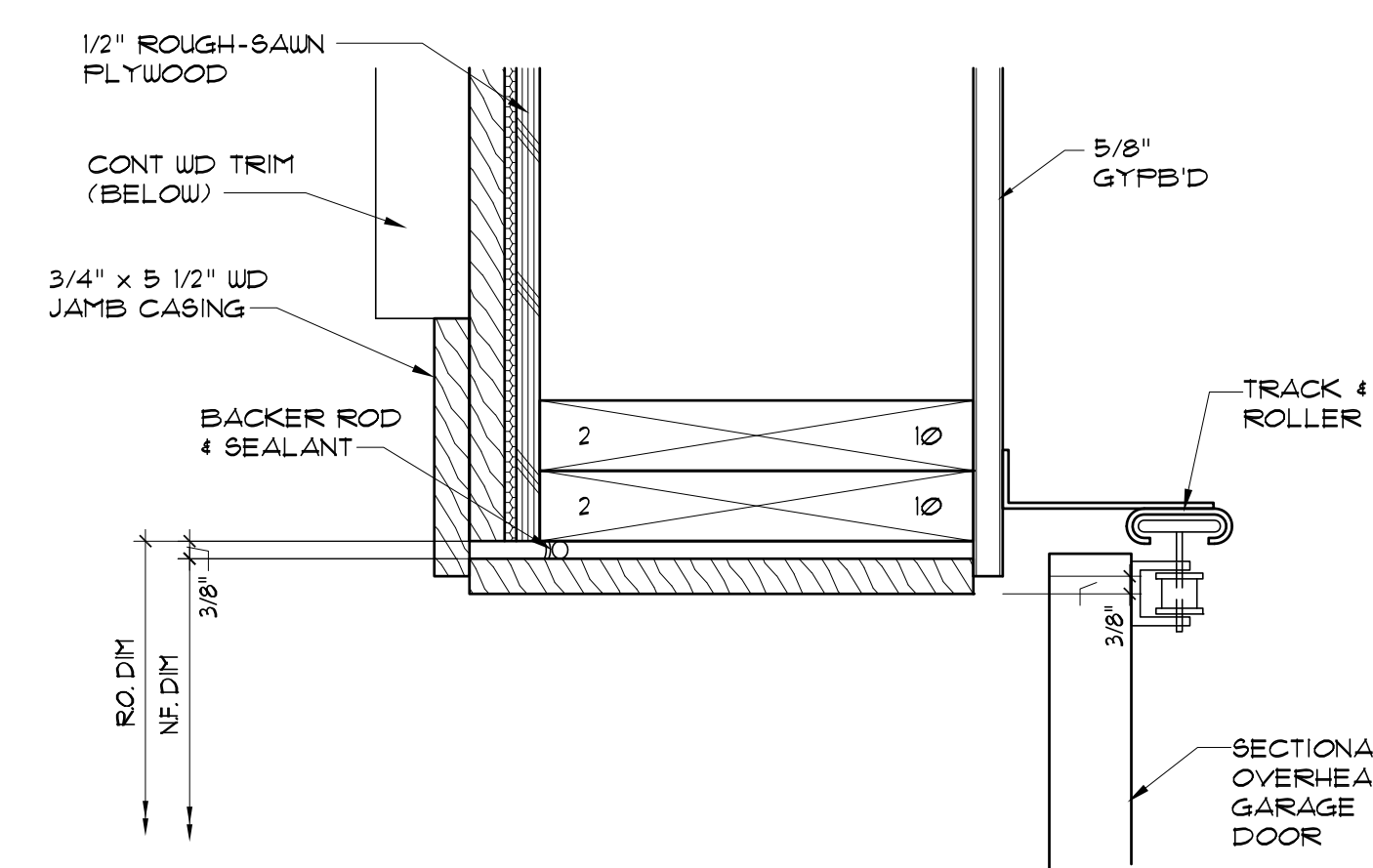


JAMB (7) (8)

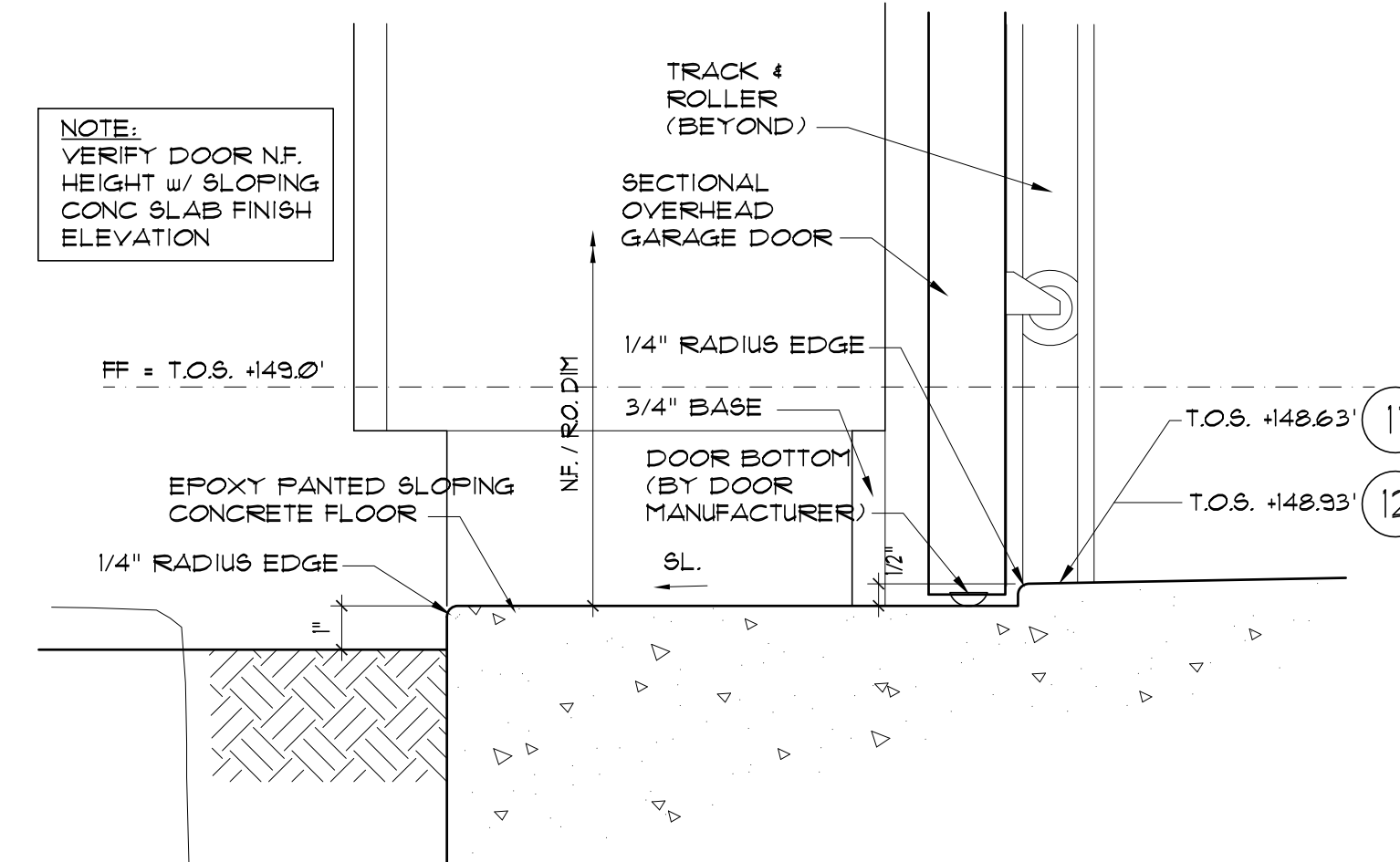
PATIO SLIDING DOORS
SCALE: 3/4" = 1'-0"



HEAD (11) (12)



JAMB (11) (12)



THRESHOLD (11) (12)

GARAGE SECTIONAL OVERHEAD DOOR
SCALE: 3/4" = 1'-0"

636 Launika St.
Honolulu, HI 96819
Tel: 808-842-9929
Web: nanhawaii.com

Nan Inc

Kapalua Mauka Mahana Estates - Model A1

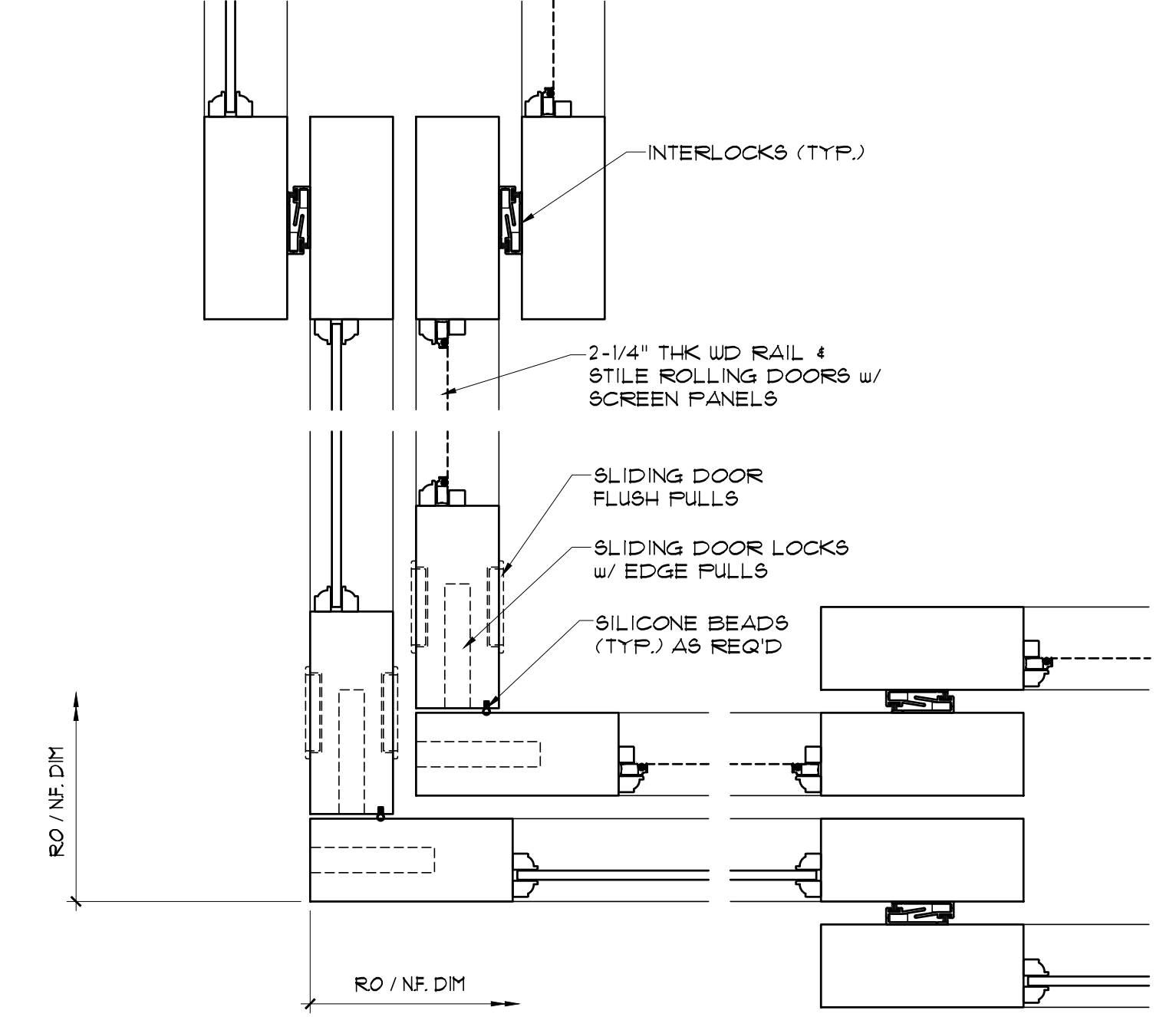
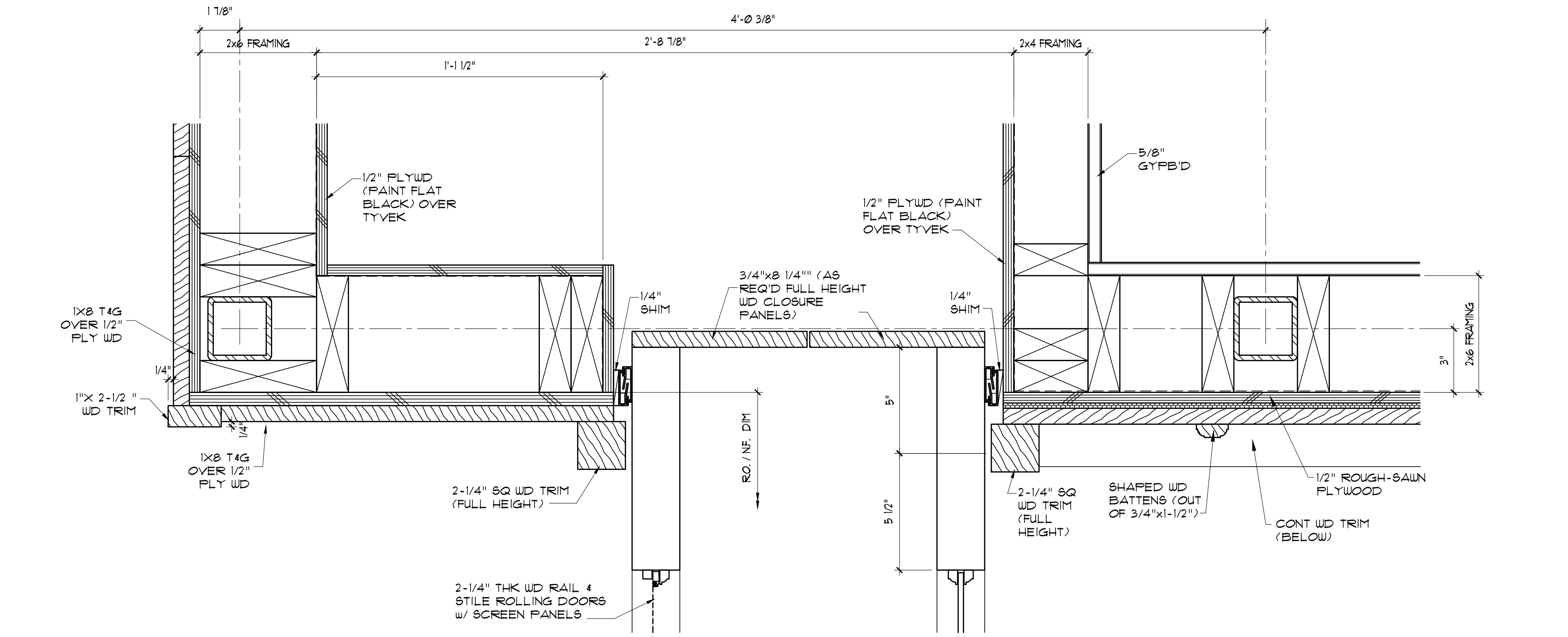
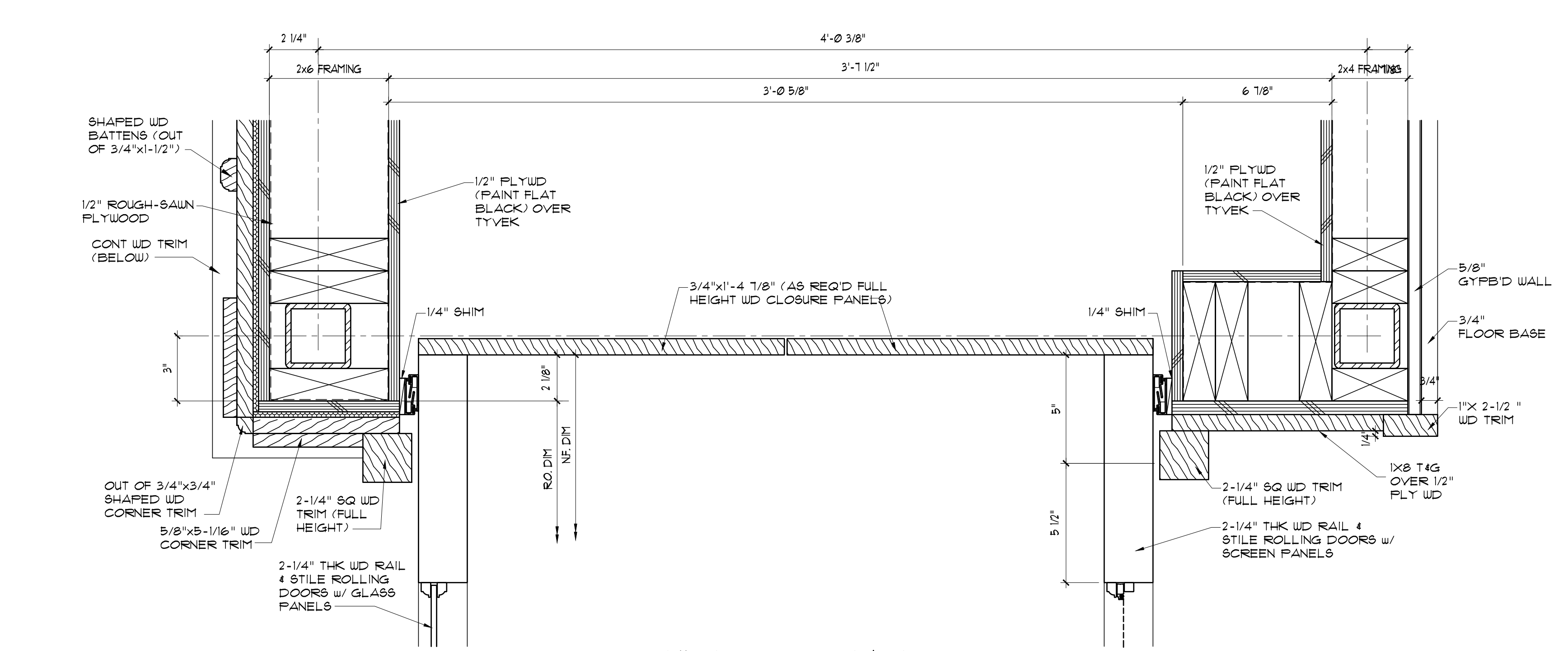
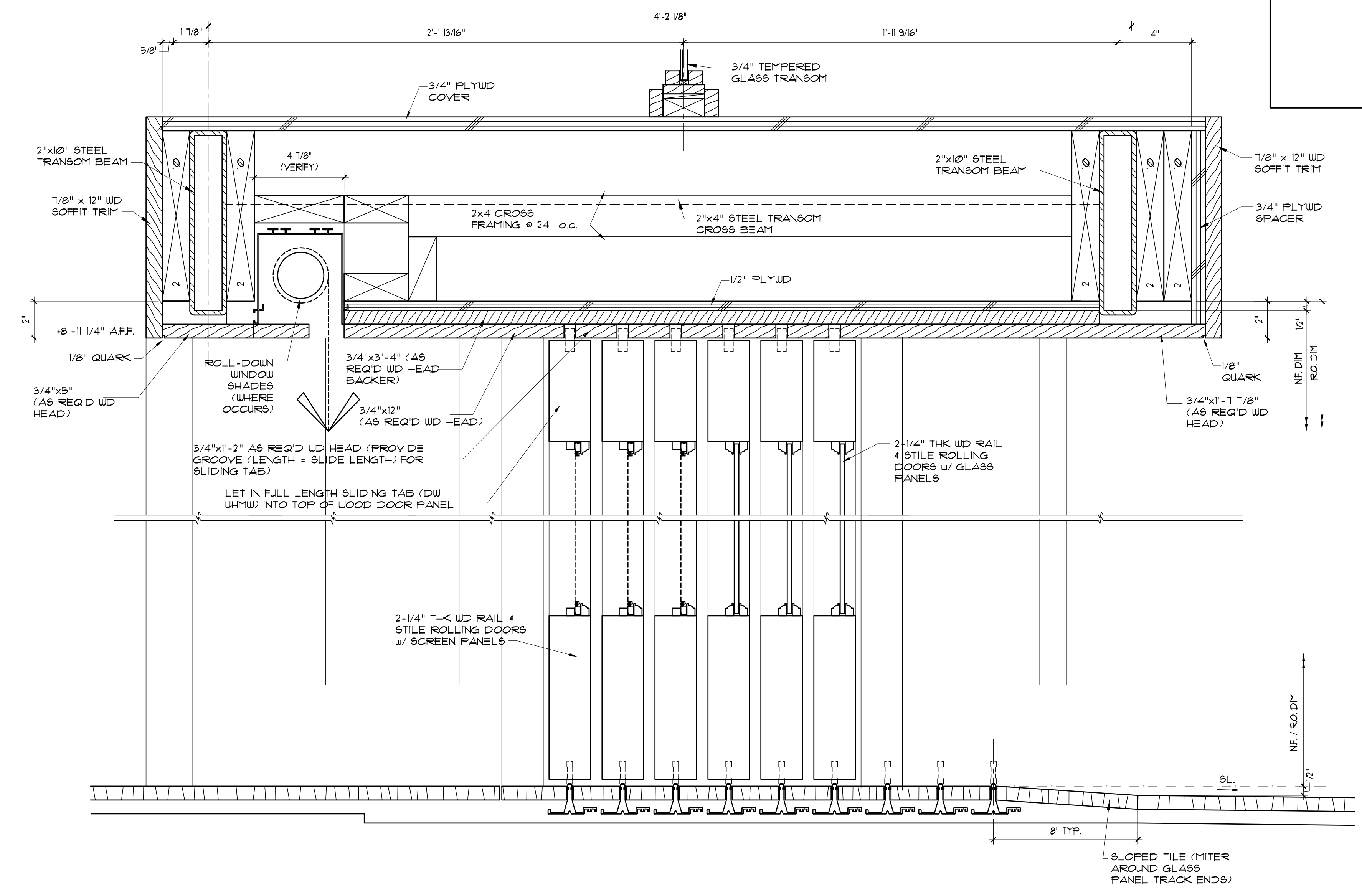
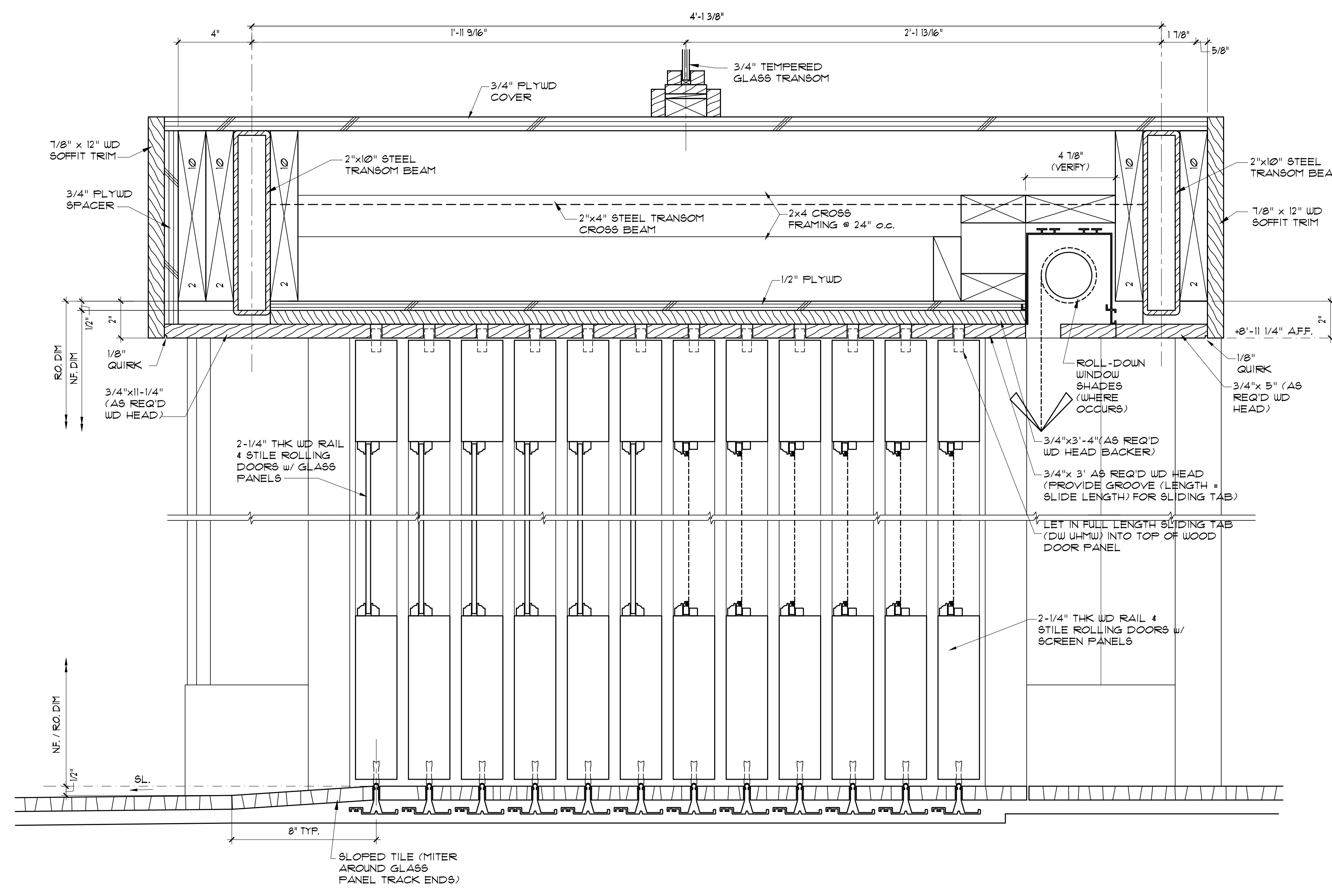
Kapalua, Maui, Hawaii
DOOR DETAILS

REVISIONS:
08-20-2014
01-21-2014
06-02-2015
08-13-2015
07-13-2016

SHEET - OF -

A-9.5

DATE: -



NOTE:
REFER TO MANUFACTURER'S DOOR
SHOP DRAWING

MULTI-PANEL SLIDING DOORS
SCALE: 3/4" = 1'-0"

636 Lamaha St.
Honolulu, HI 96819
Tel. 808-842-9929
Web: nanhawaii.com

Nan Inc

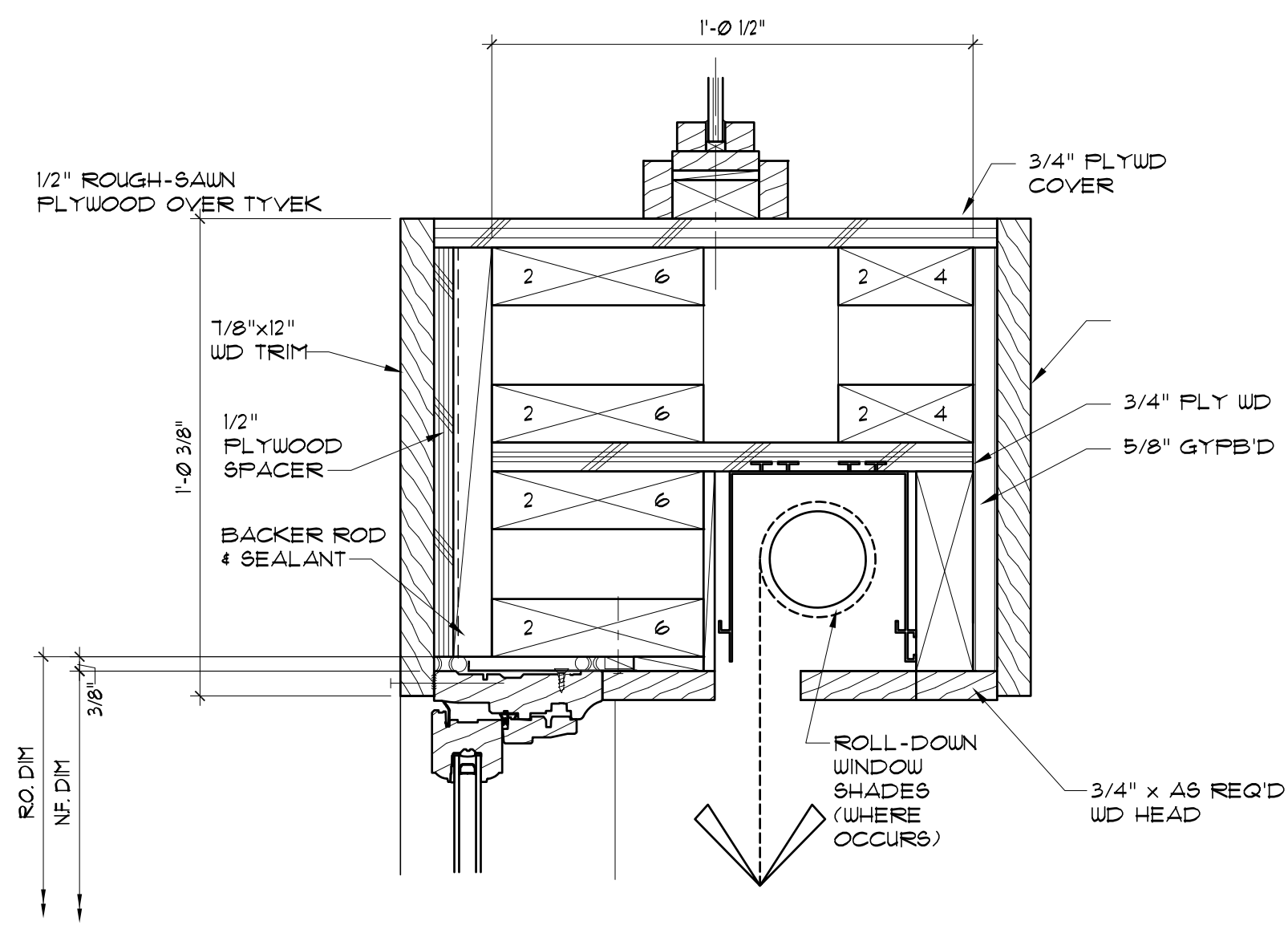
Kapalua Mauka Mahana Estates - Model A1
Kapalua, Maui, Hawaii
DOOR DETAILS

REVISIONS:
01/20/2014
02/25/2014
03/25/2014
03/25/2014
03/25/2014

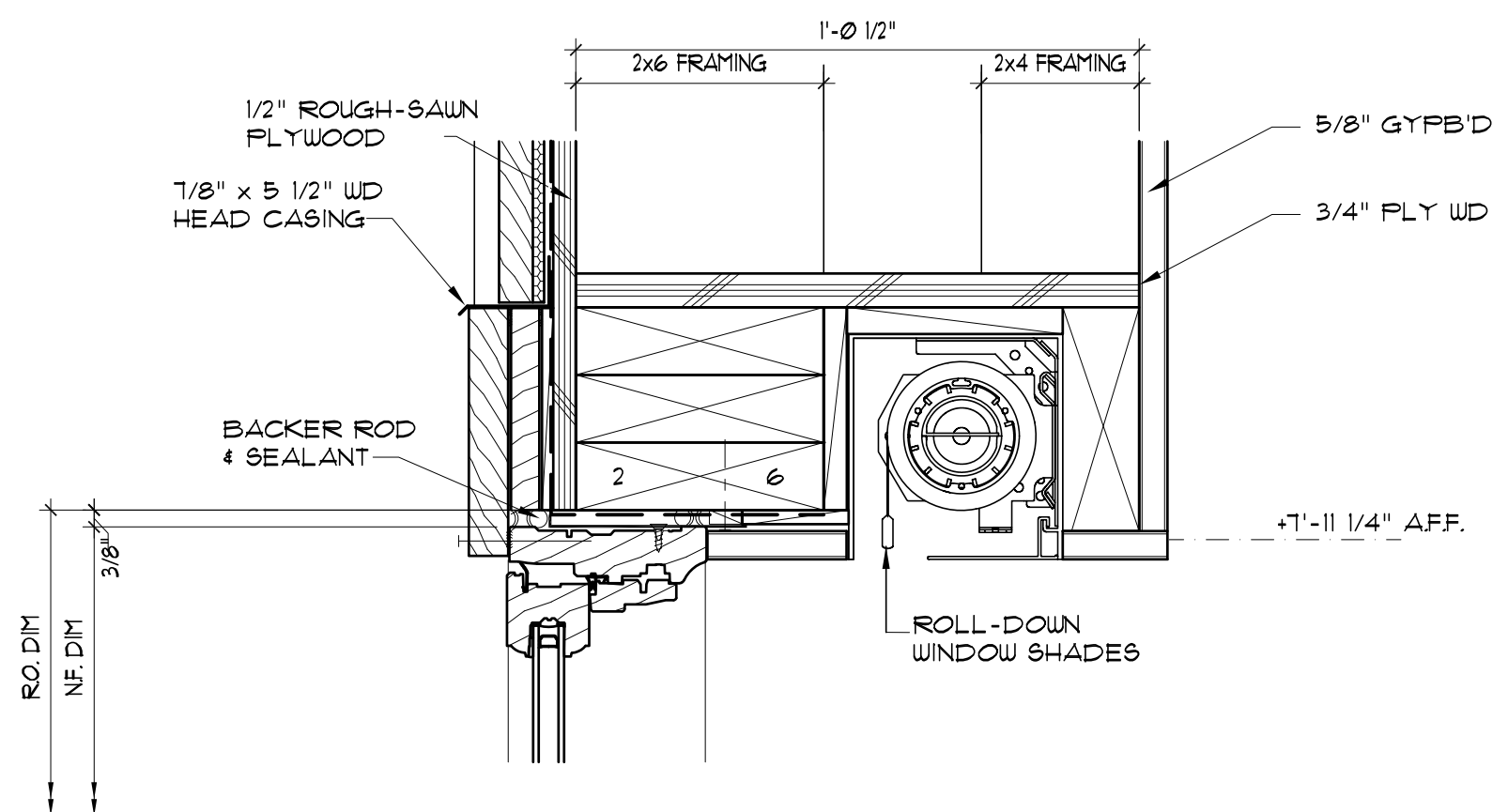
SHEET - OF -

A-9.6

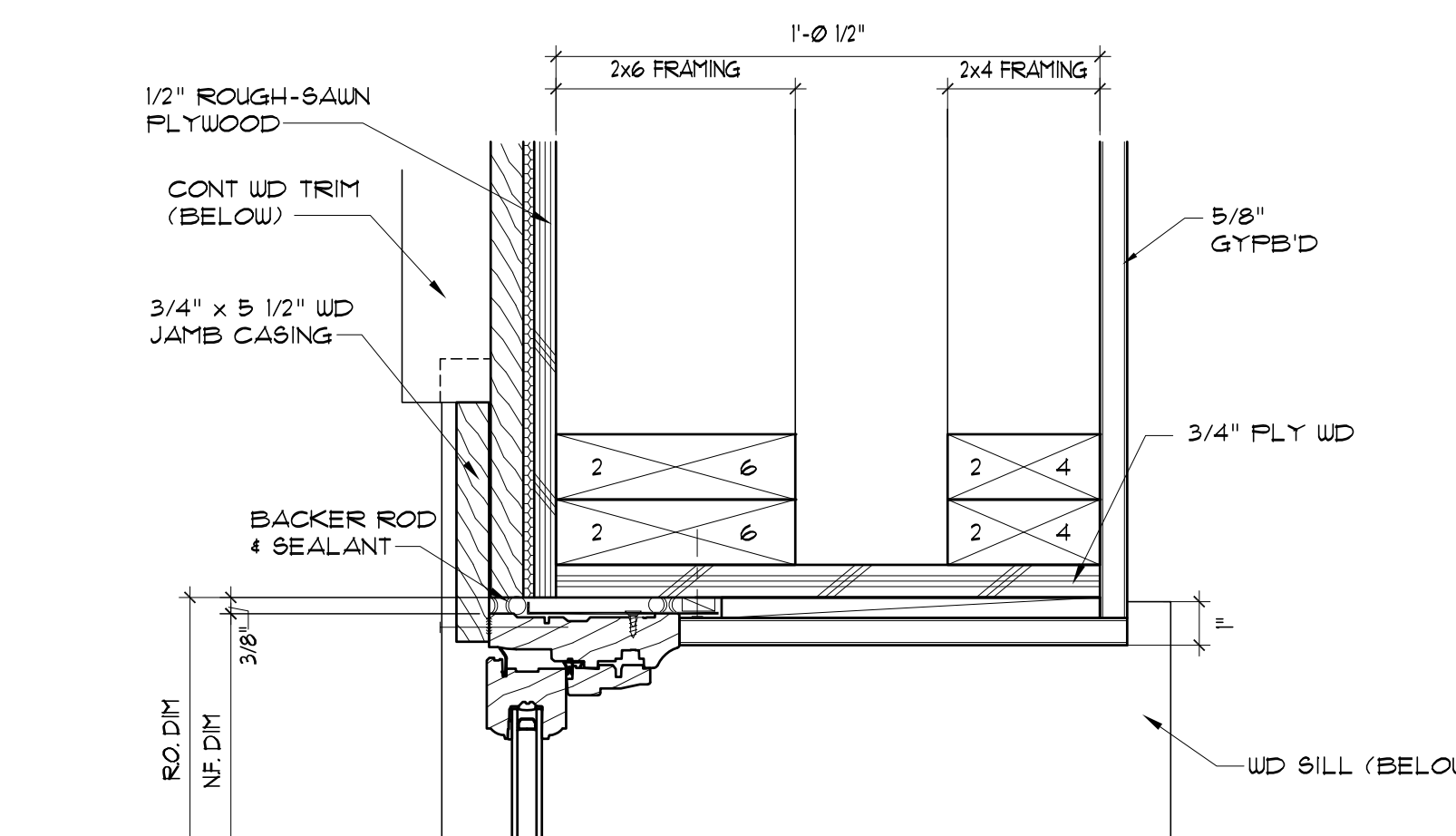
DATE: -



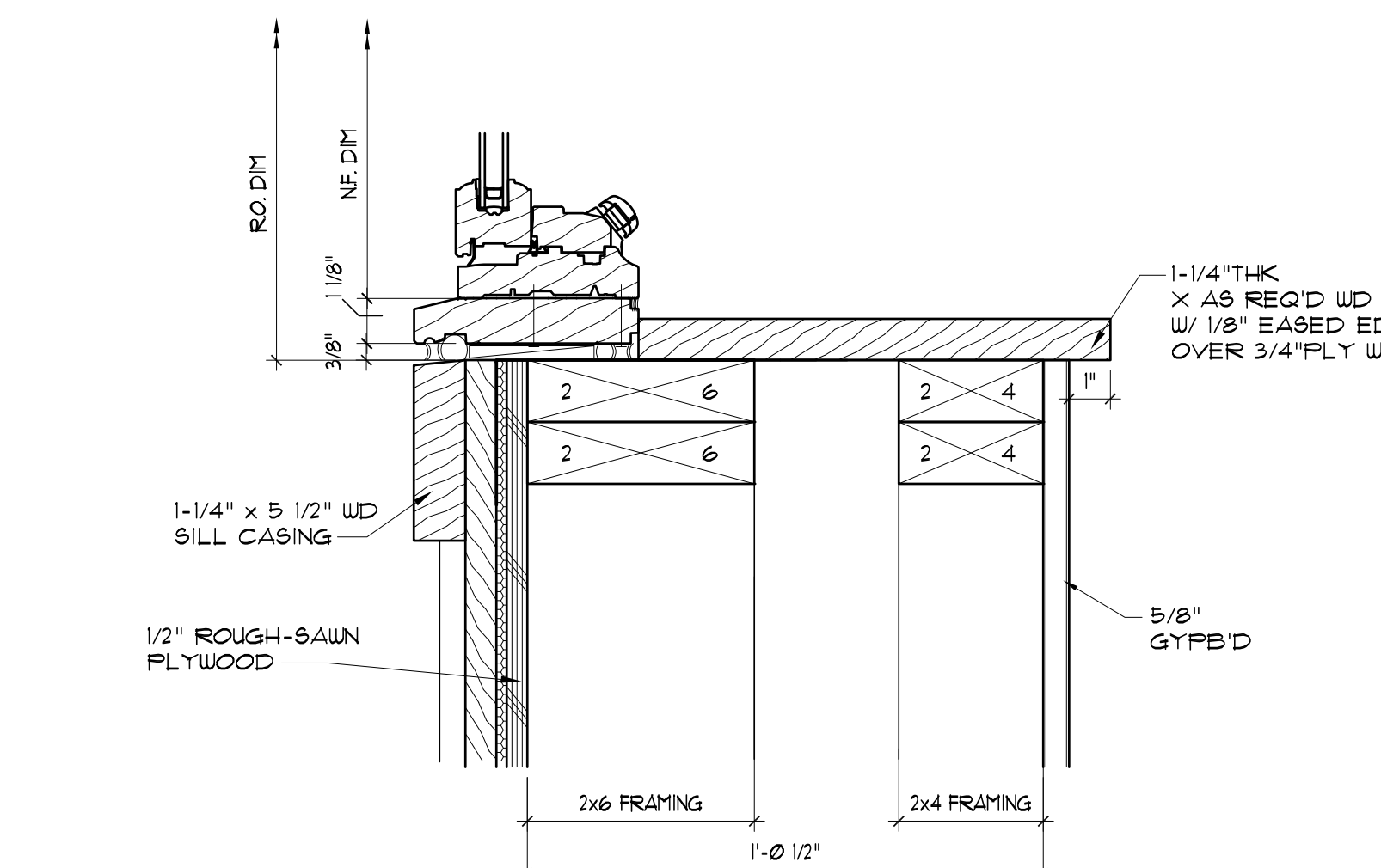
HEAD 1 2



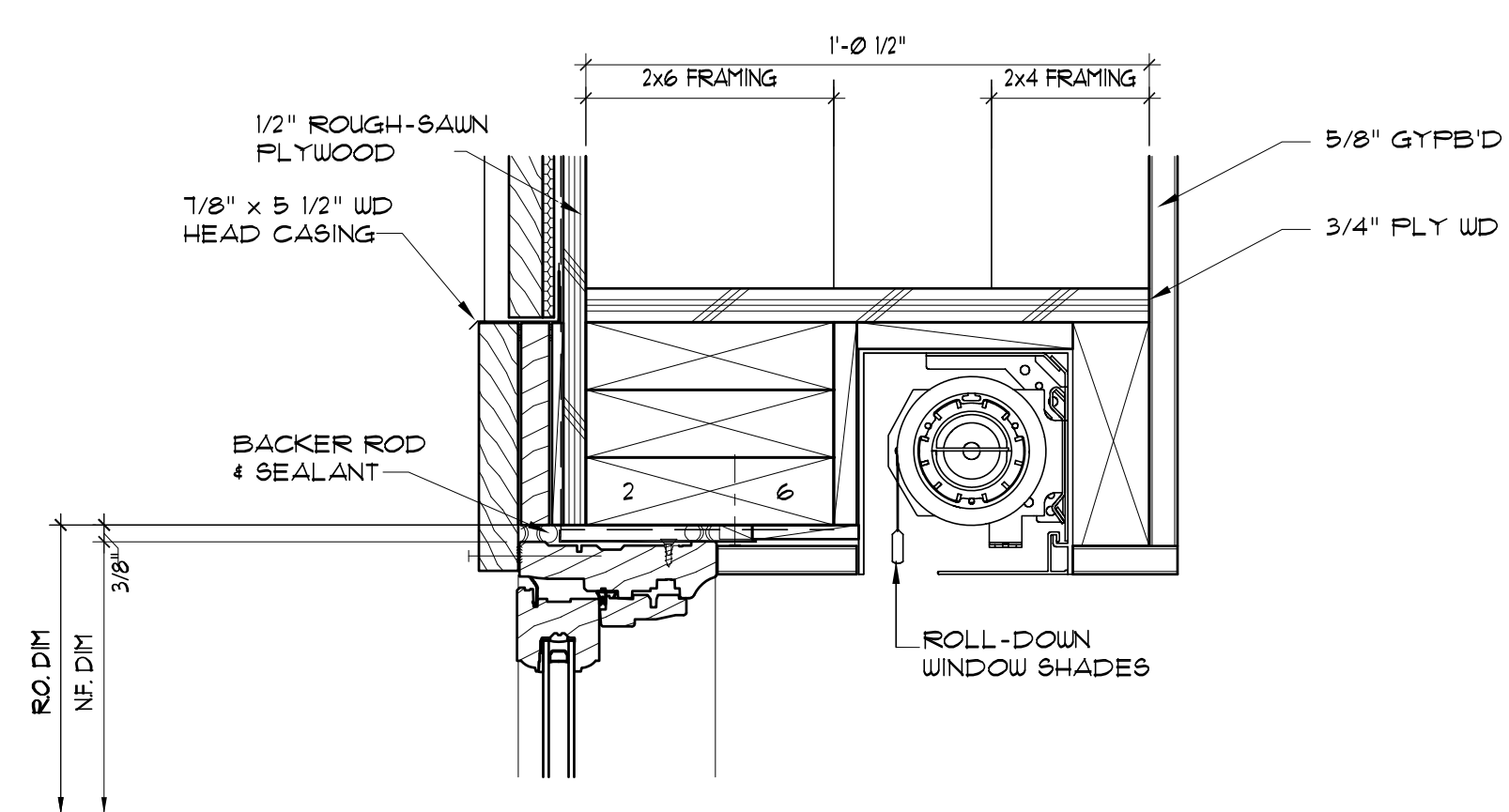
HEAD 5 13



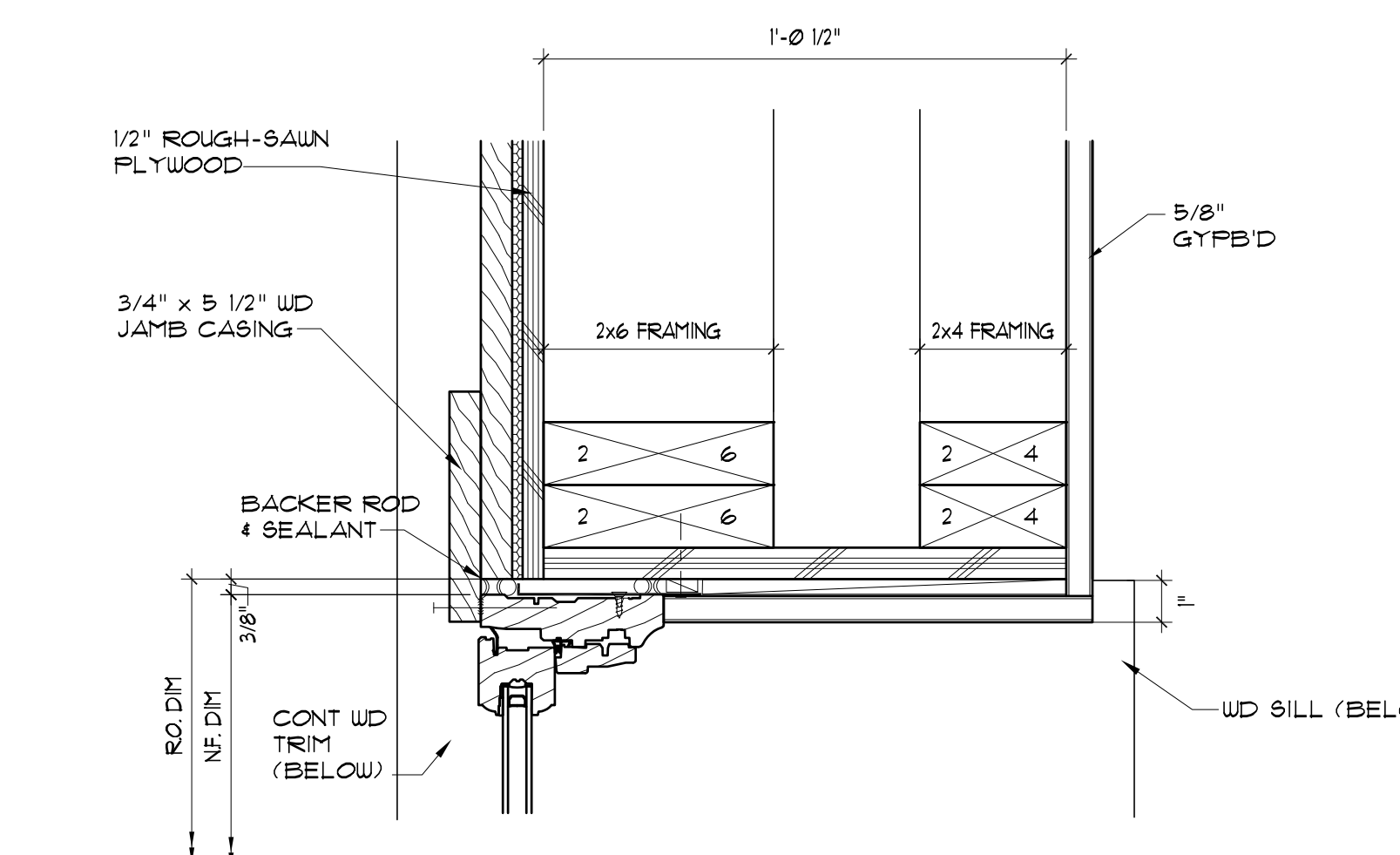
JAMB 1 2 5 13



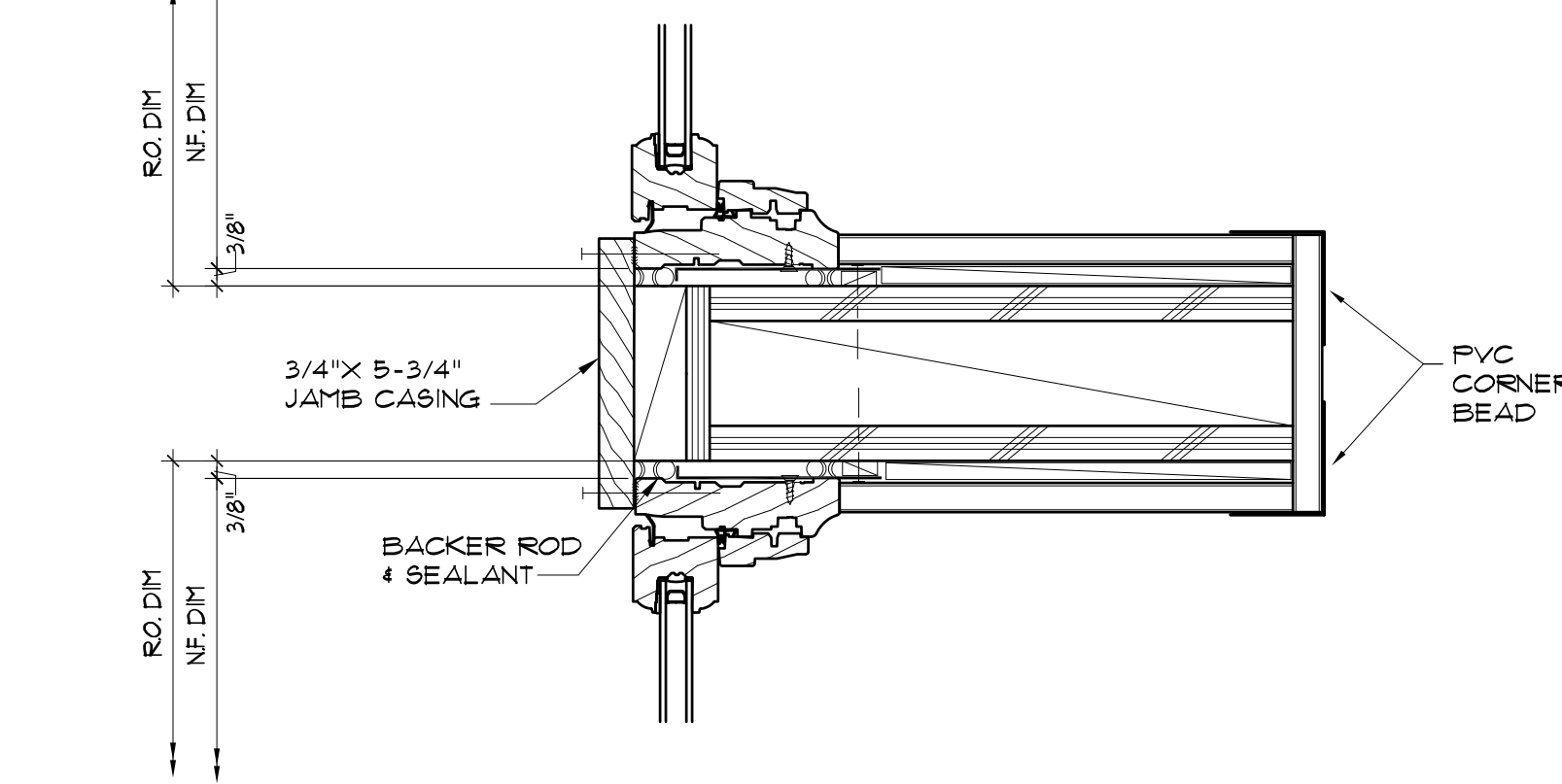
SILL 1 2 5 13



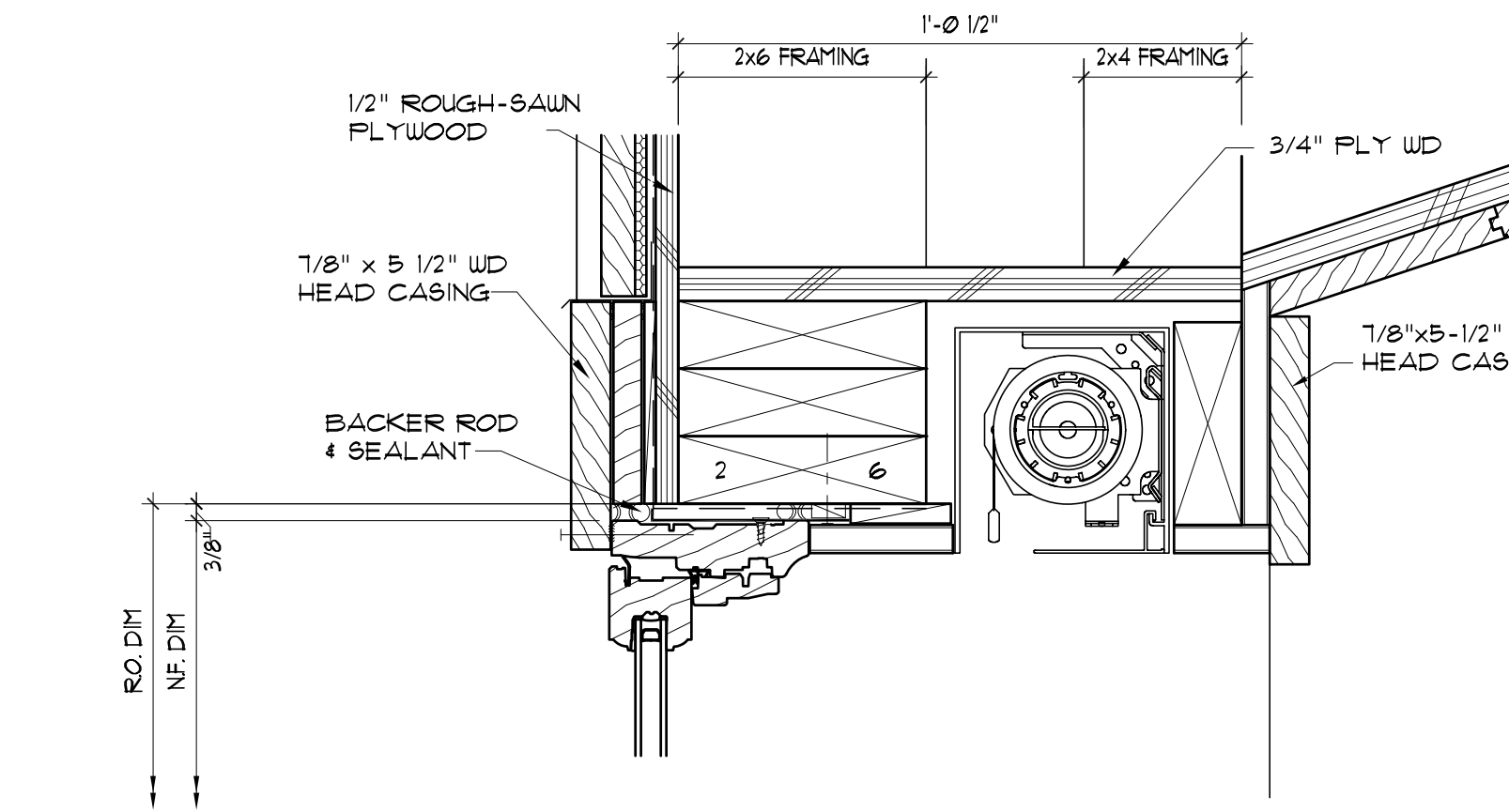
HEAD 3 6 7 8 9



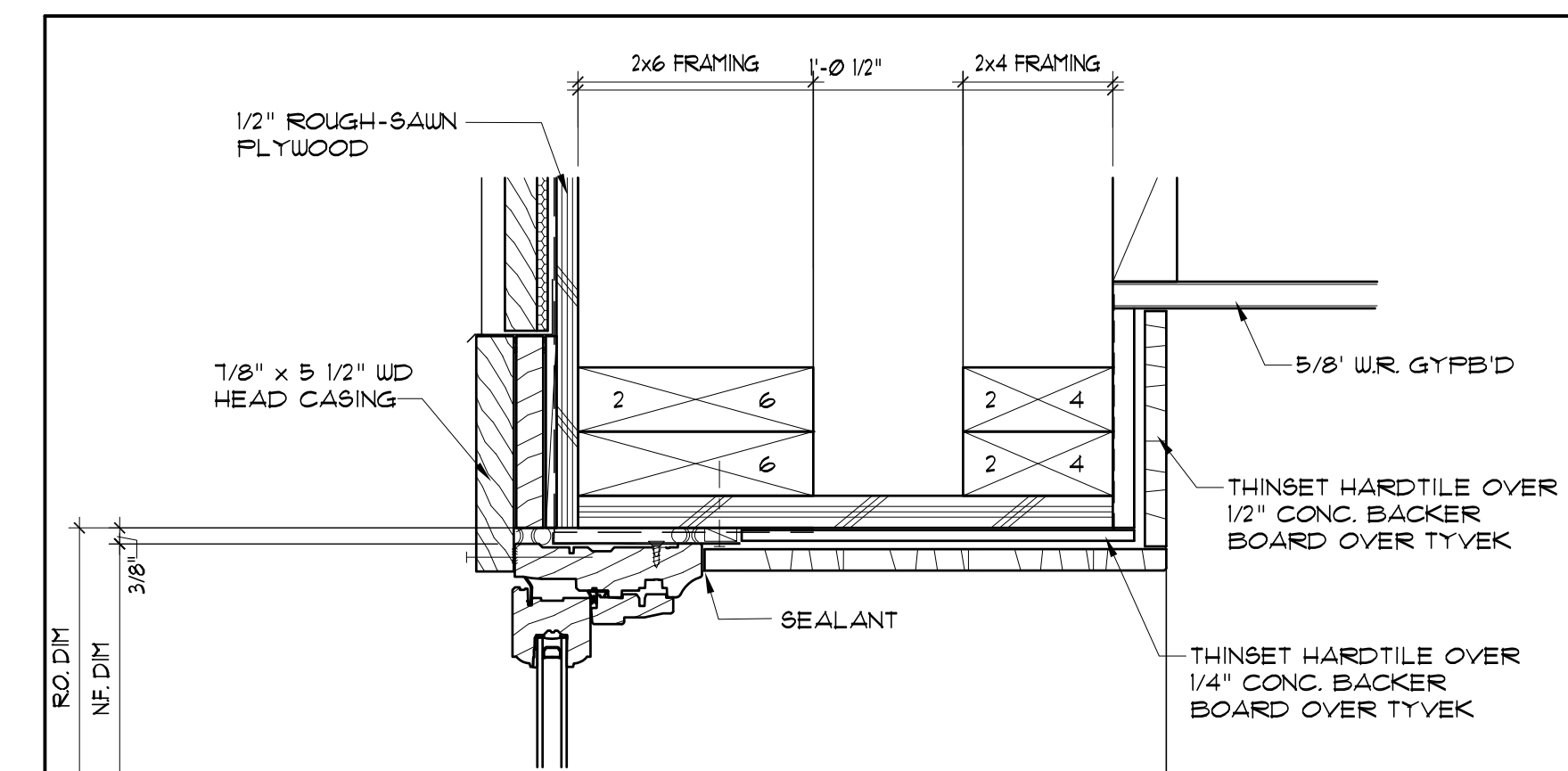
JAMB 3 6 7 8 9



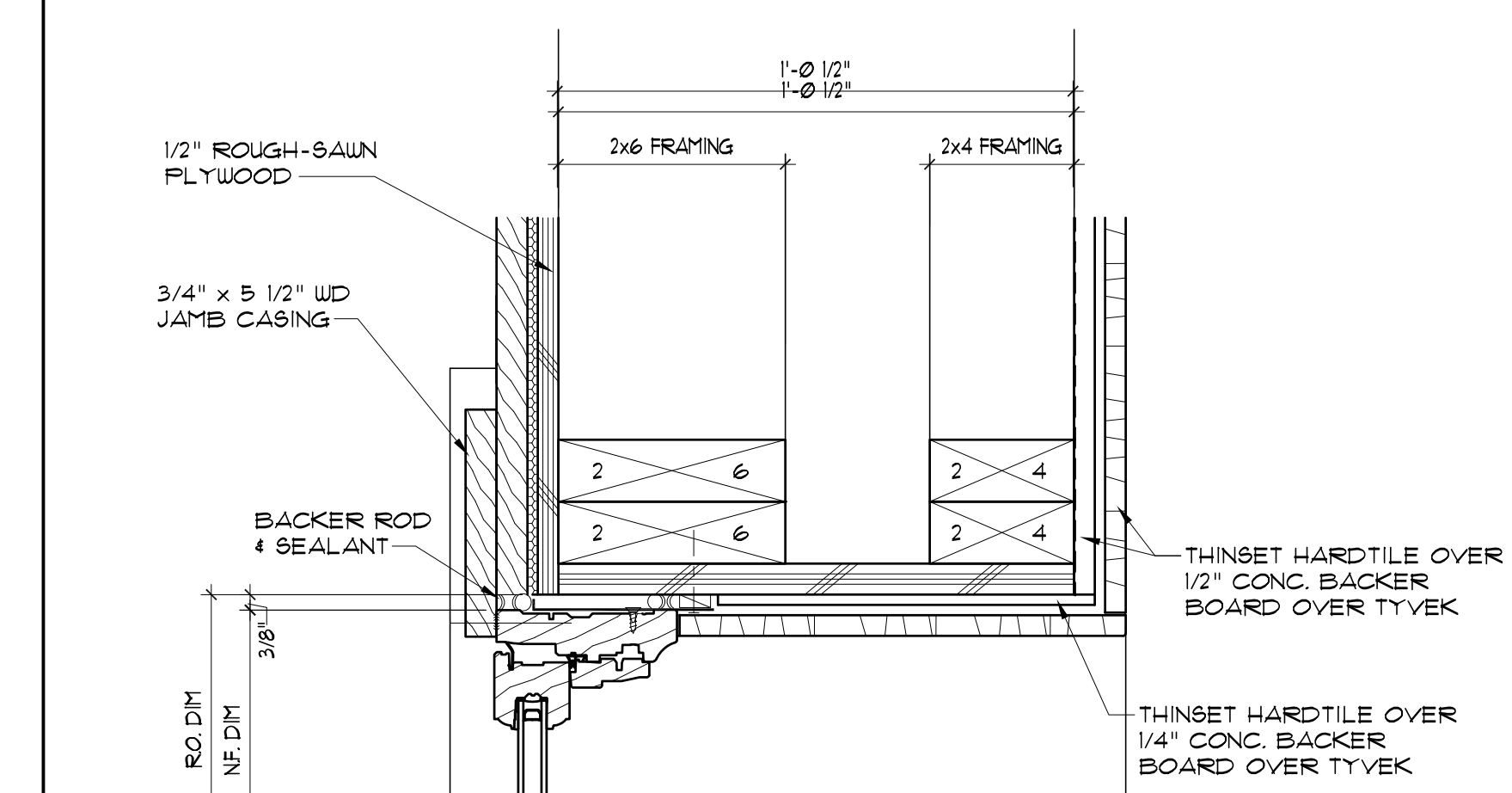
JAMB 7 8 9



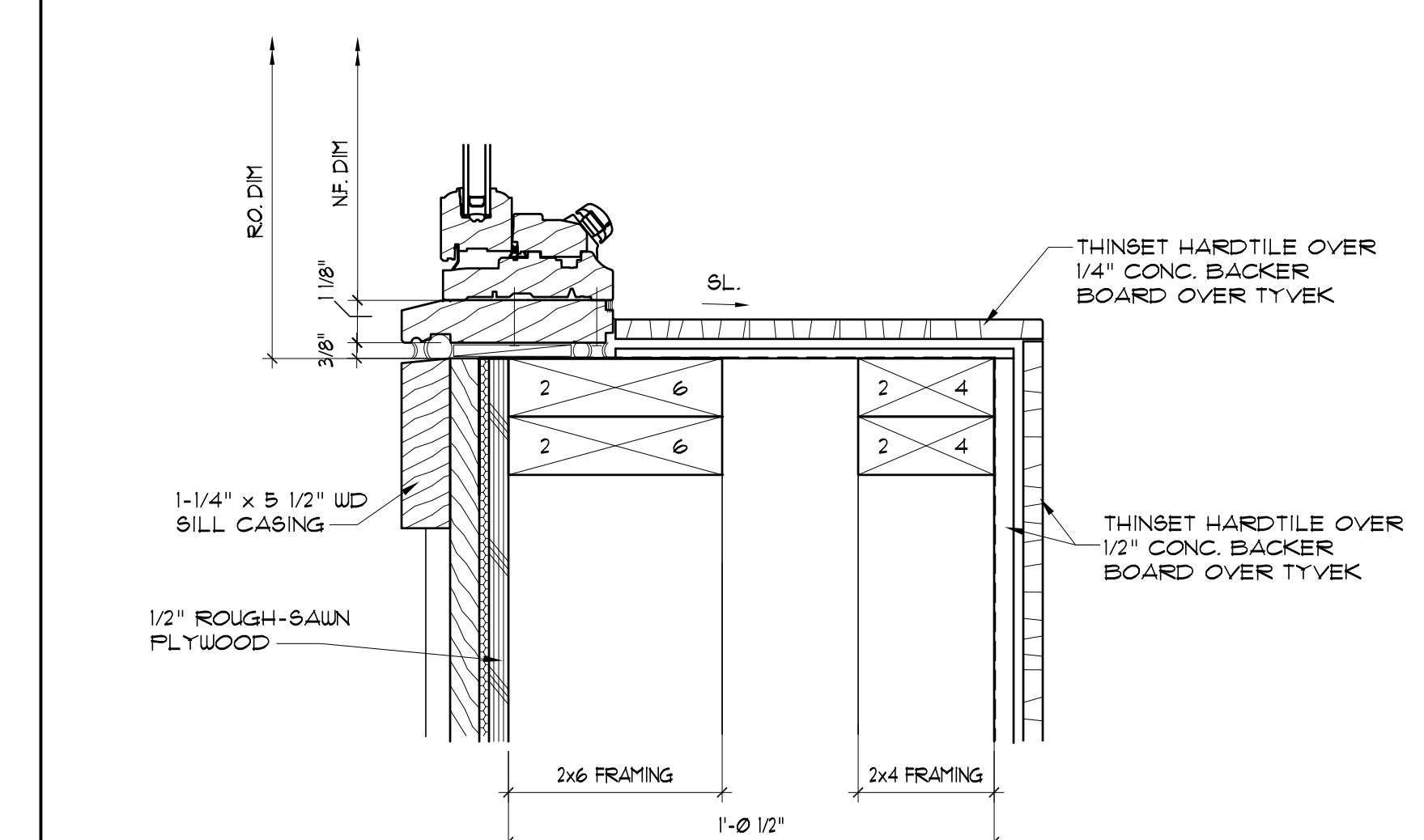
HEAD 14 17 18



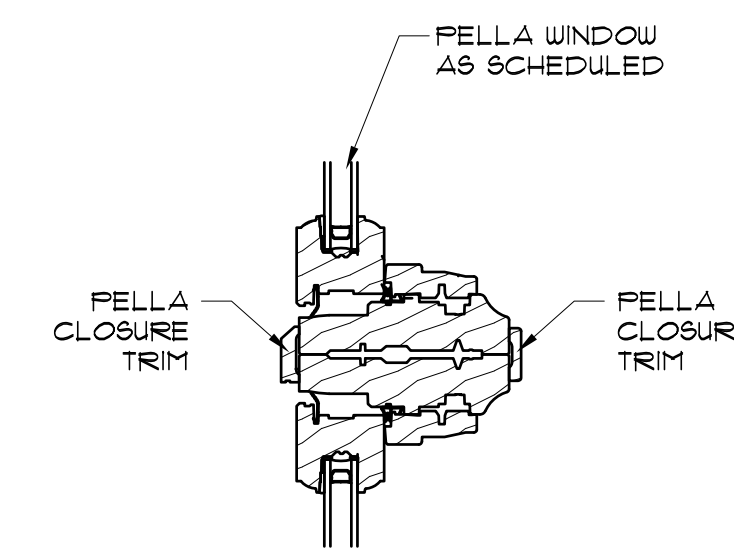
HEAD 4 15



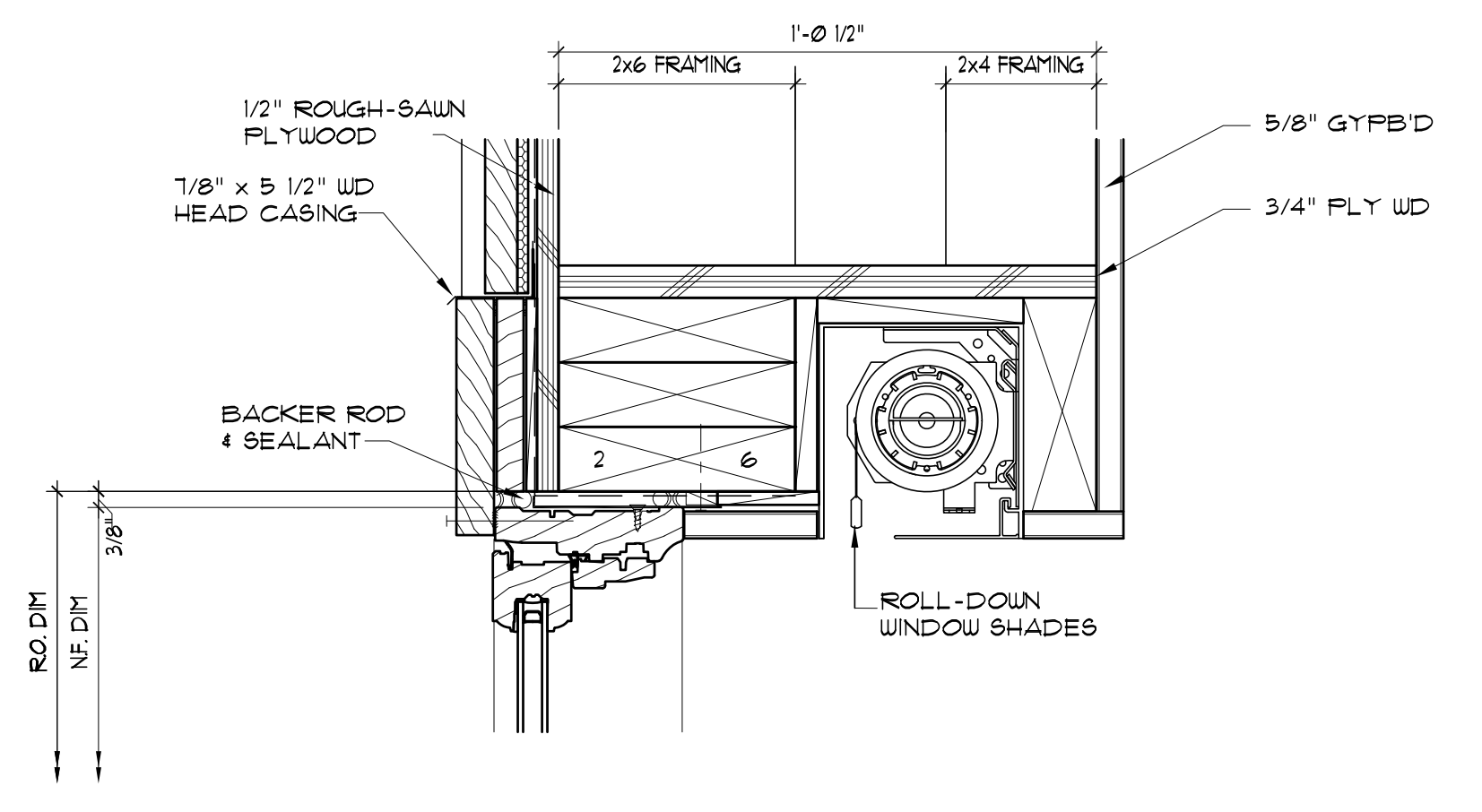
JAMB 4 15



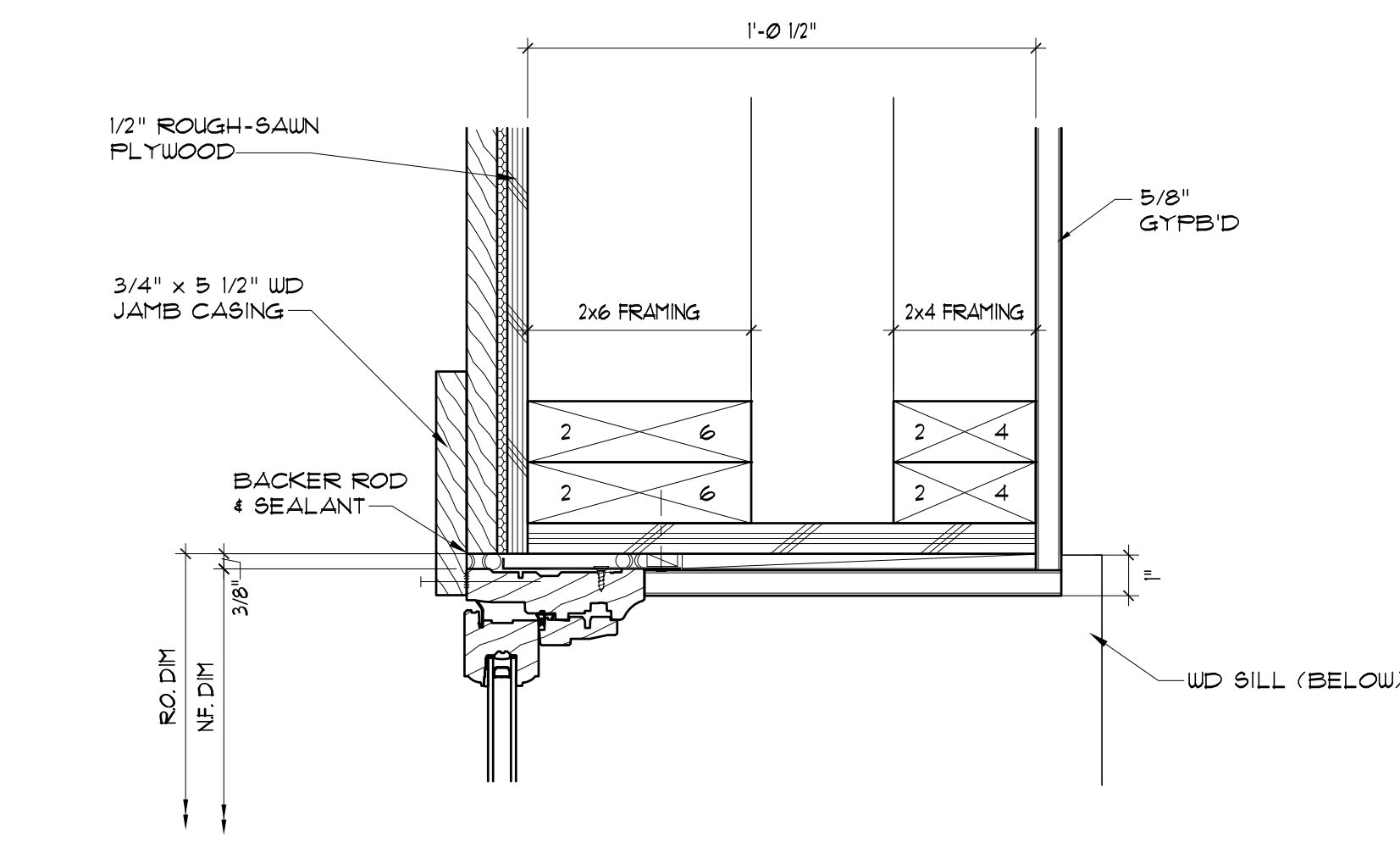
SILL 4 15



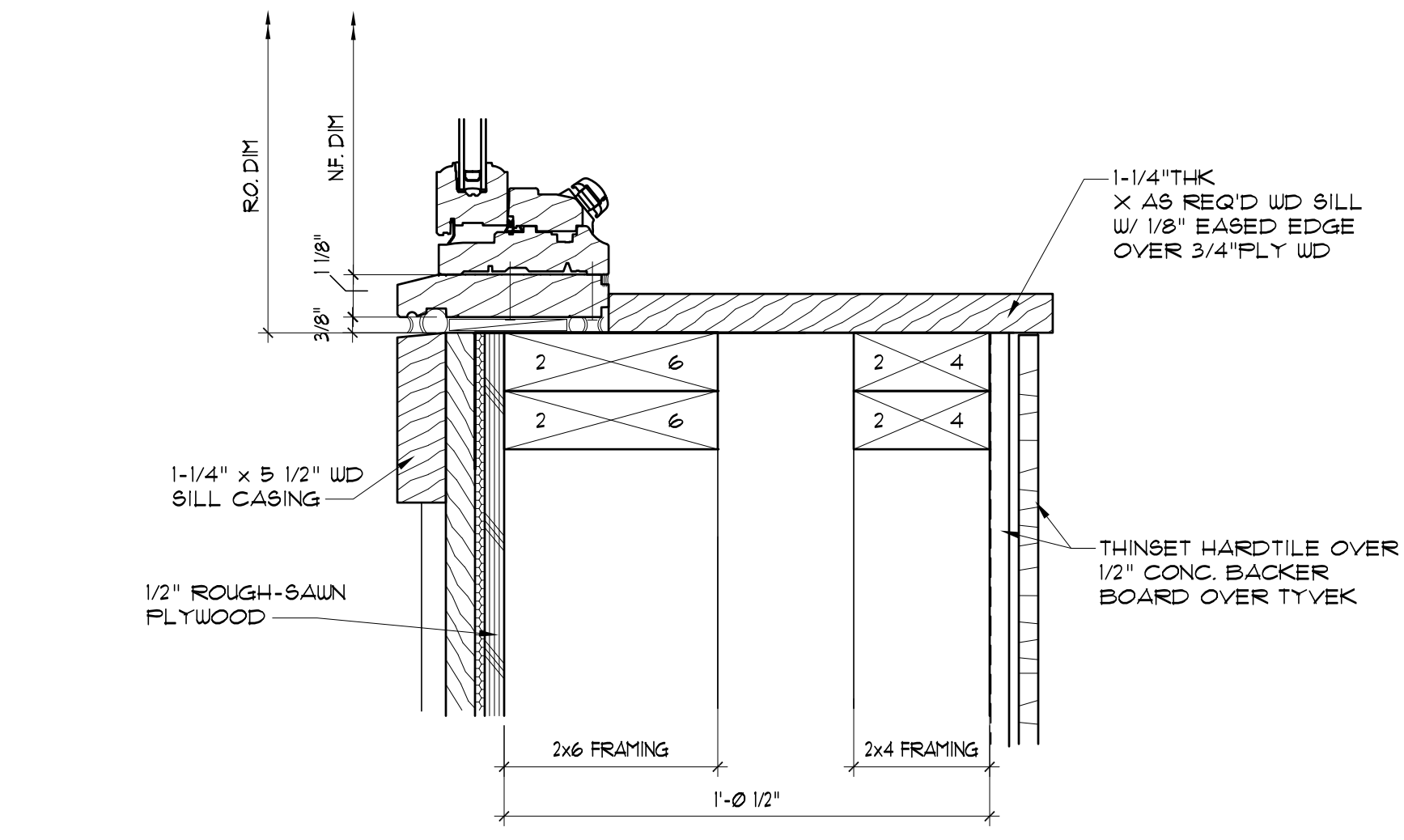
MULLION 13 16 22 T22



HEAD 16

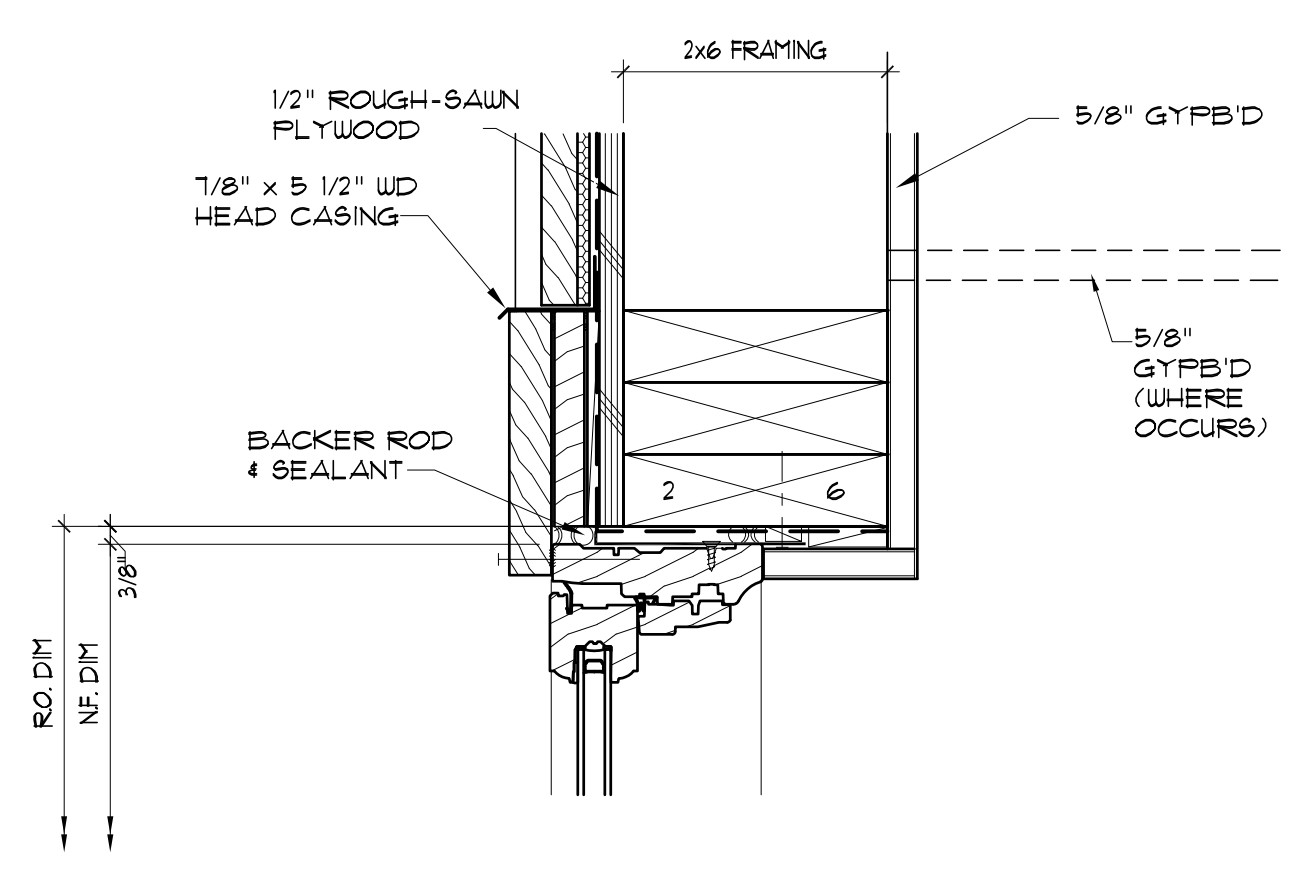


JAMB 16

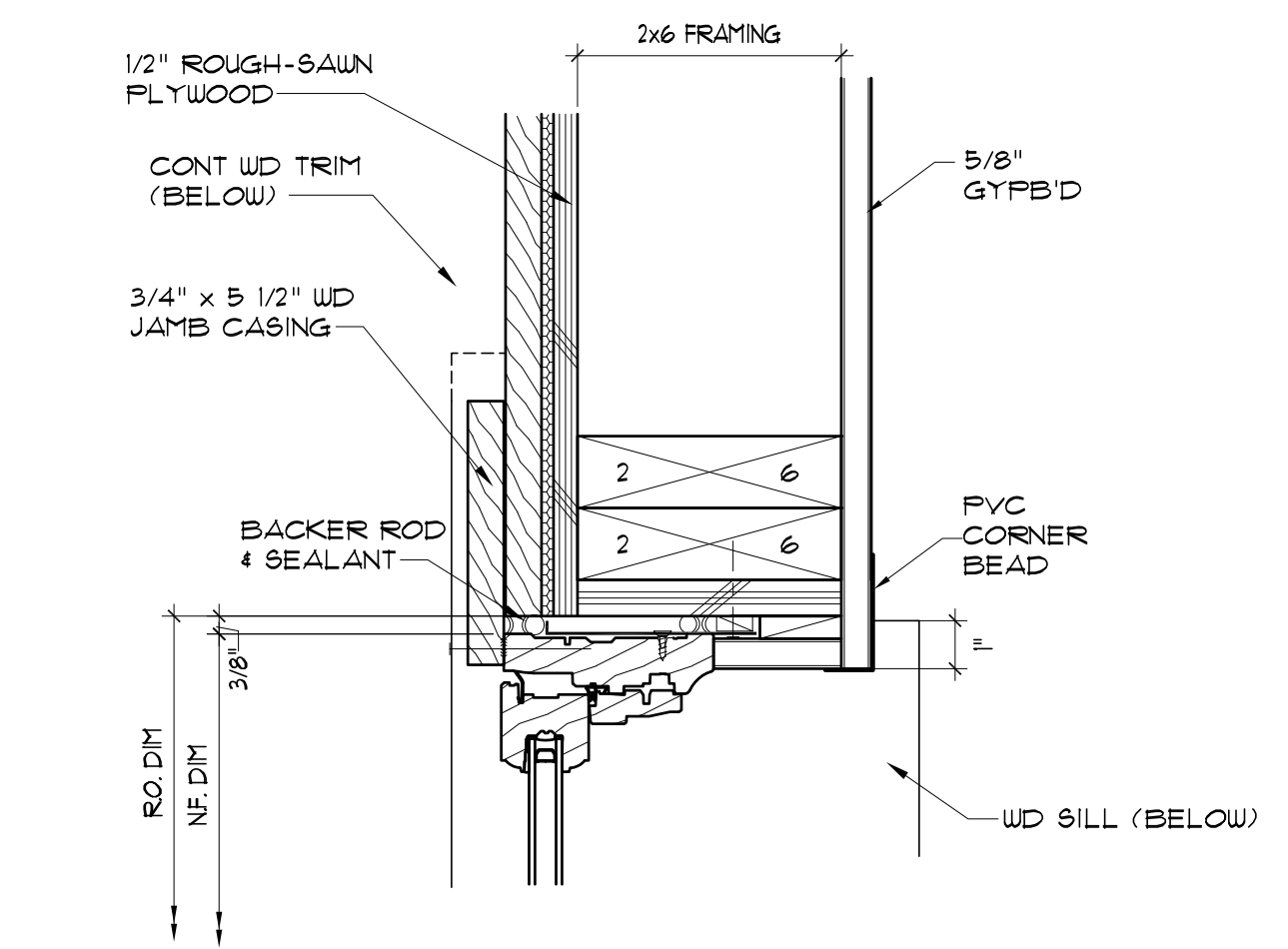


SILL 16

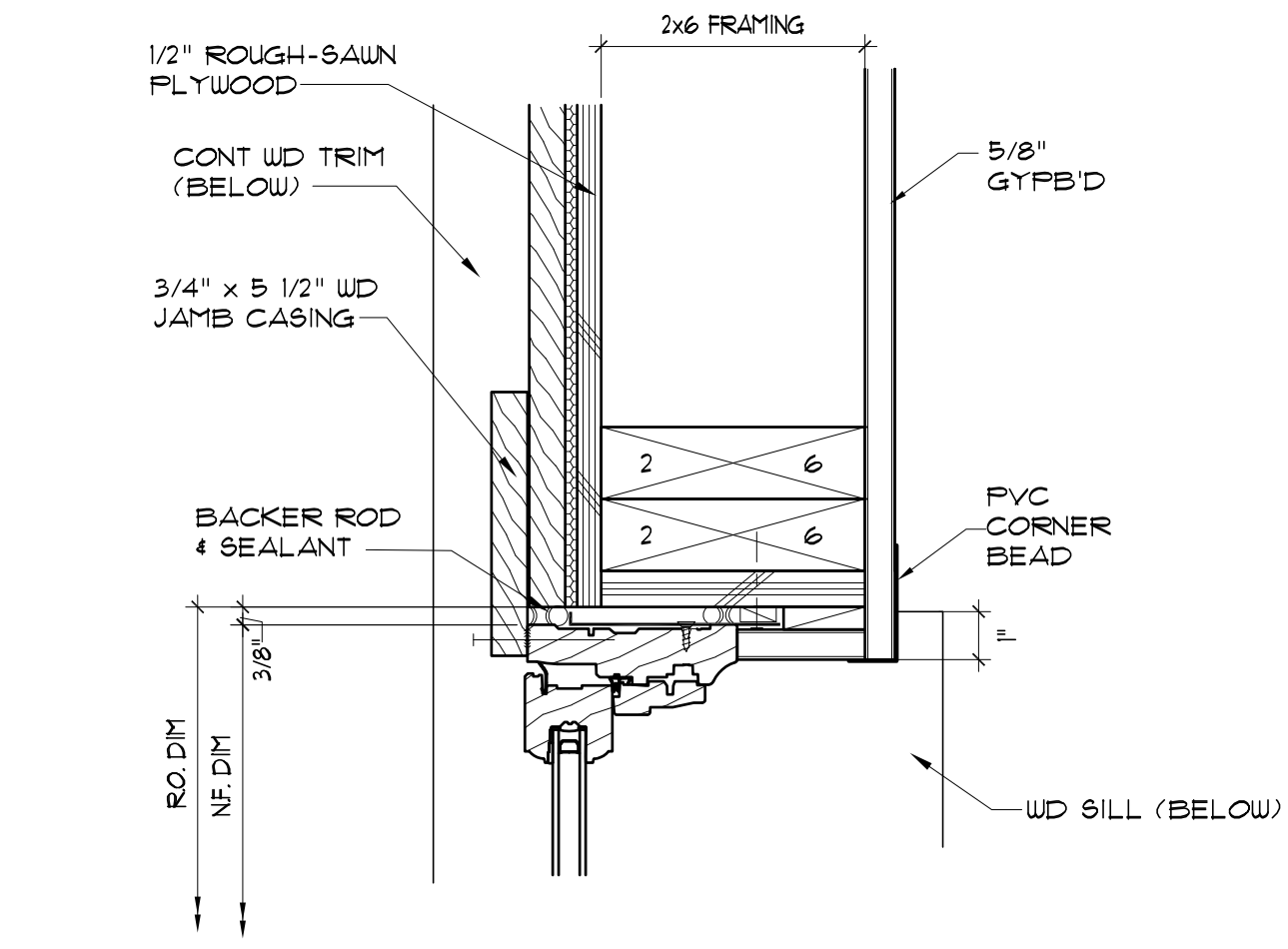
PELLA WINDOWS
SCALE: 3/4" = 1'-0"



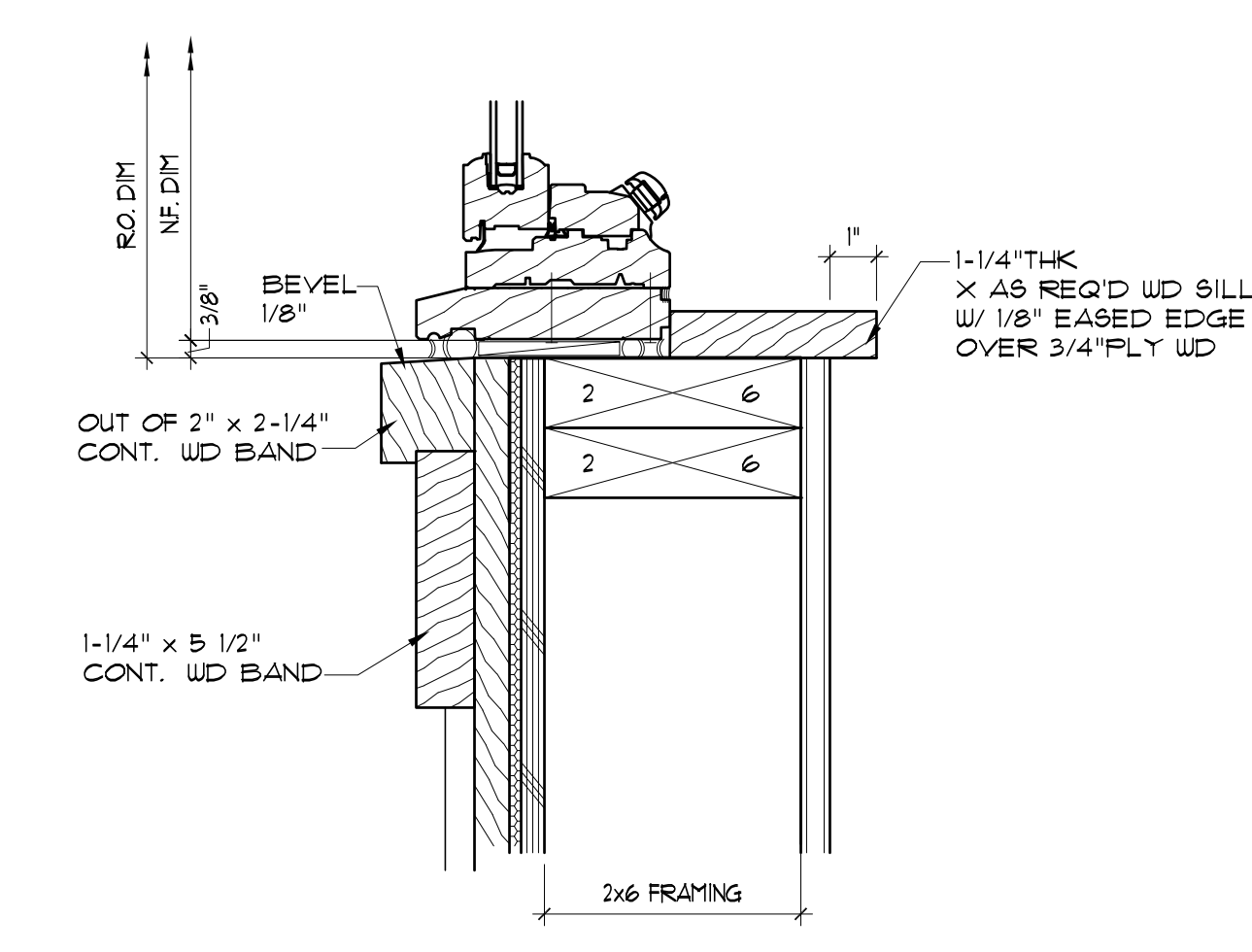
HEAD 19 20 21 22



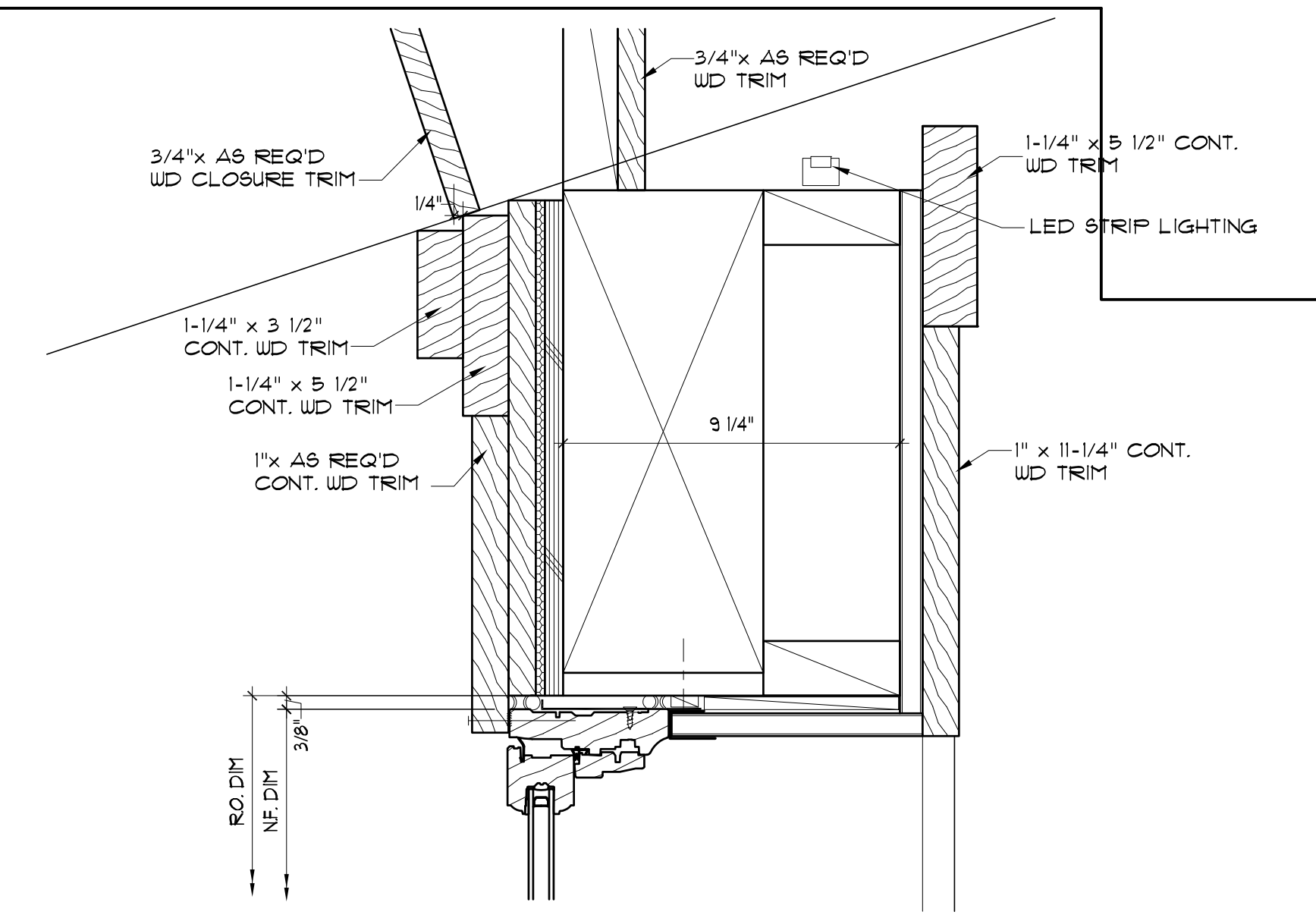
JAMB 19 20 21



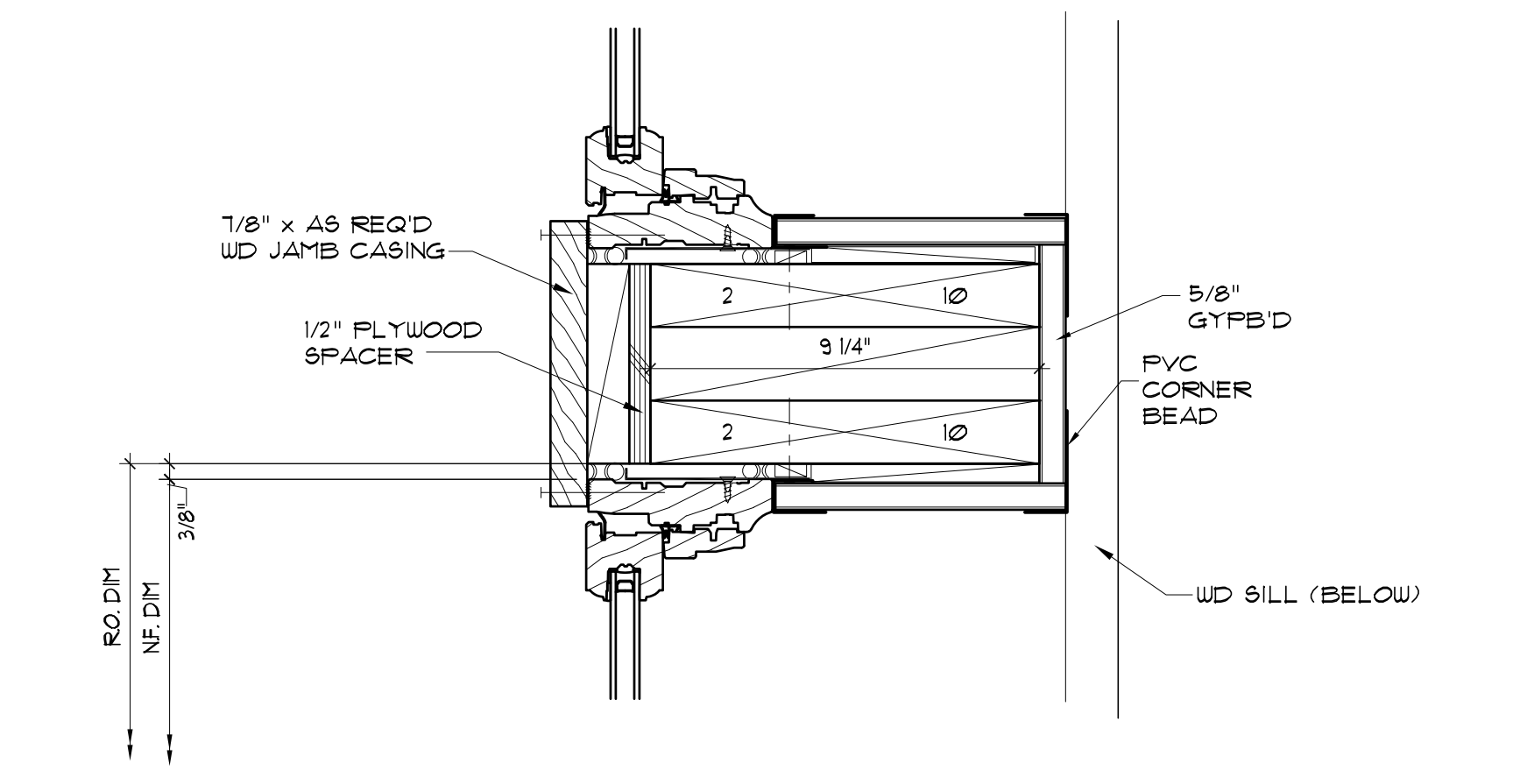
JAMB 22



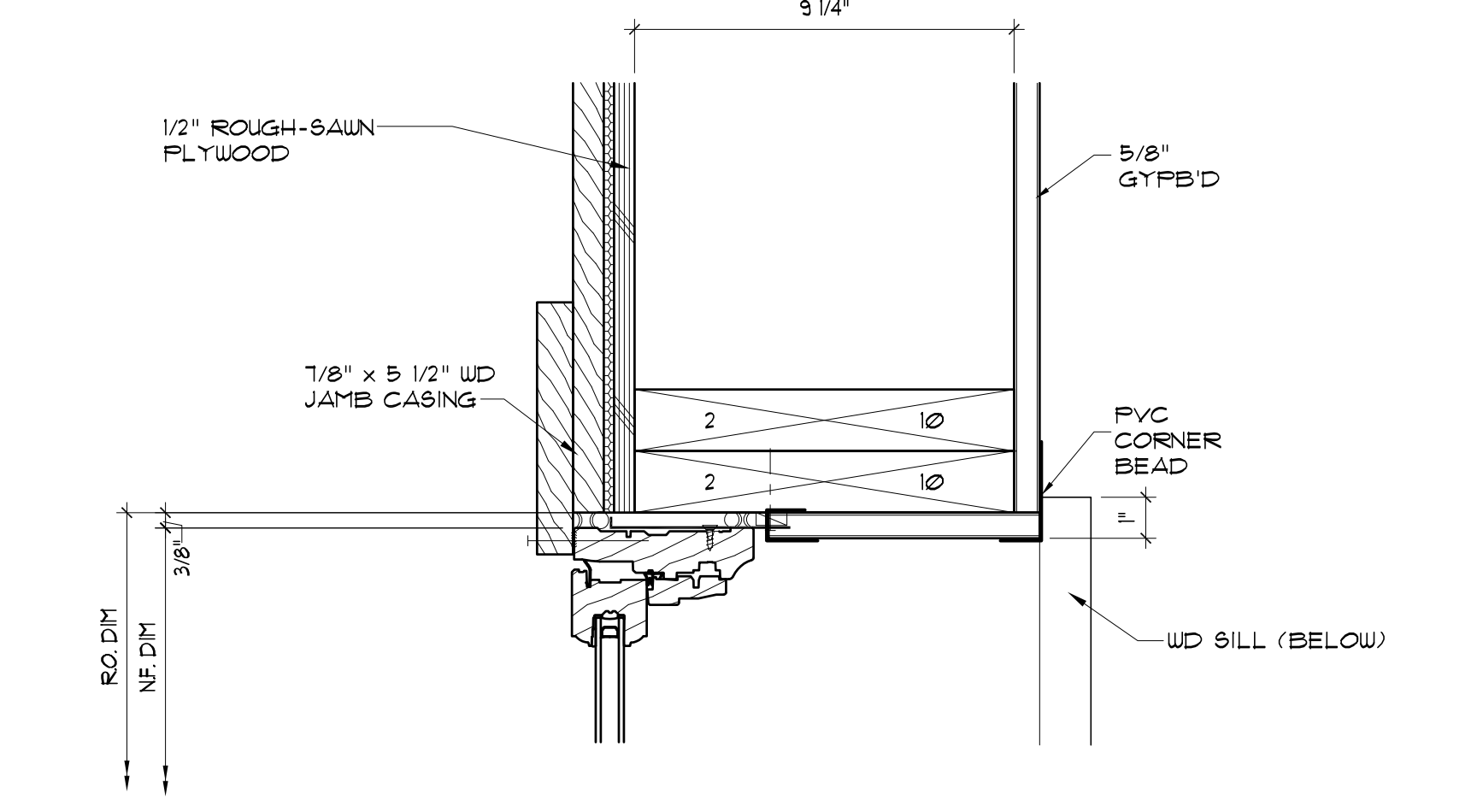
SILL 19 20 21 22



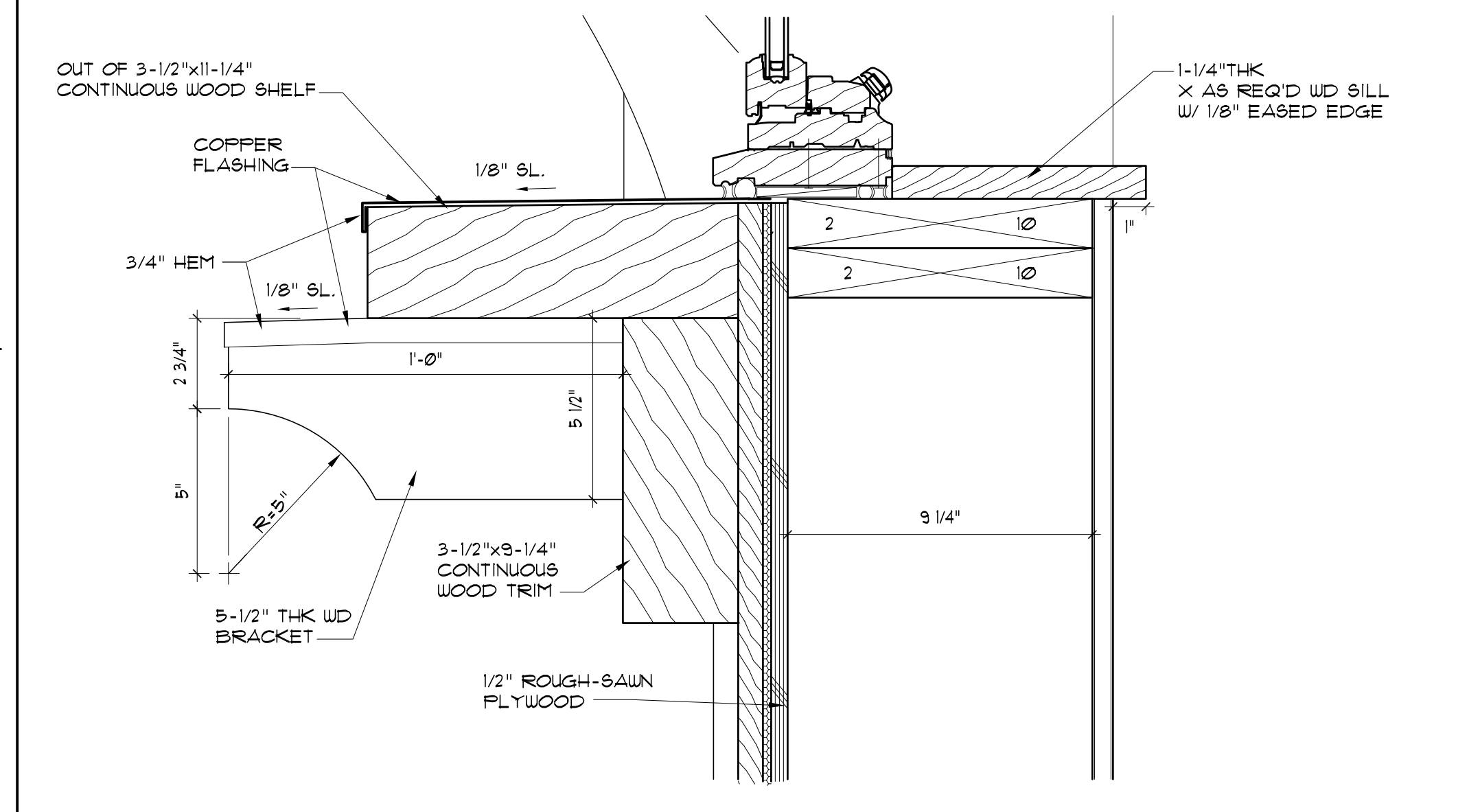
HEAD T5 T6 T7 T8 T9 T10 T11
T12 T13 T14 T15 T16 T17 T18 T19 T20



JAMB T5 T6 T7 T8 T9 T10 T11
T12 T13 T14 T15 T16 T17 T18 T19 T20



JAMB T5 T8 T9 T12 T13 T16 T17 T20



SILL T5 T6 T7 T8 T9 T10 T11
T12 T13 T14 T15 T16 T17 T18 T19 T20

636 Launika St.
Honolulu, HI 96819
Tel: 808-842-9929
Web: nanhawaii.com

Nan Inc

Kapalua Mauka Mahana Estates - Model A1
Kapalua, Maui, Hawaii

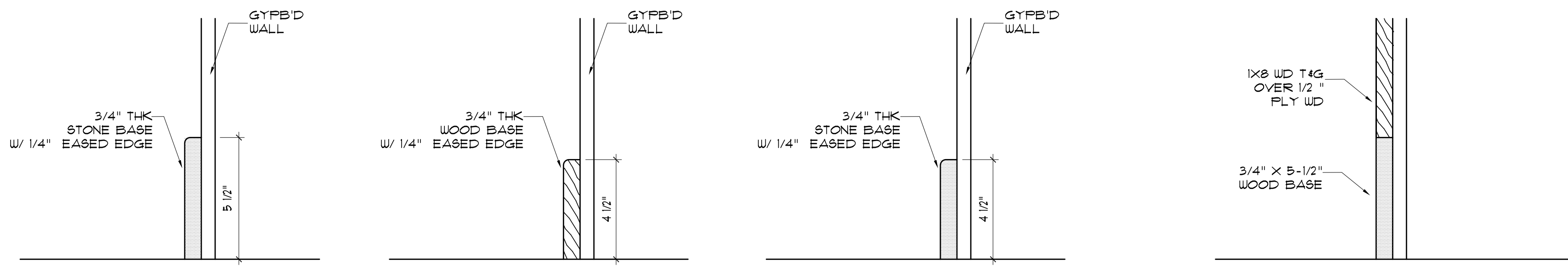
MISCELLANEOUS DETAILS

REVISIONS:
08-06-2014
01-23-2014
06-07-2015
08-13-2015
07-13-2016 - ADD S4

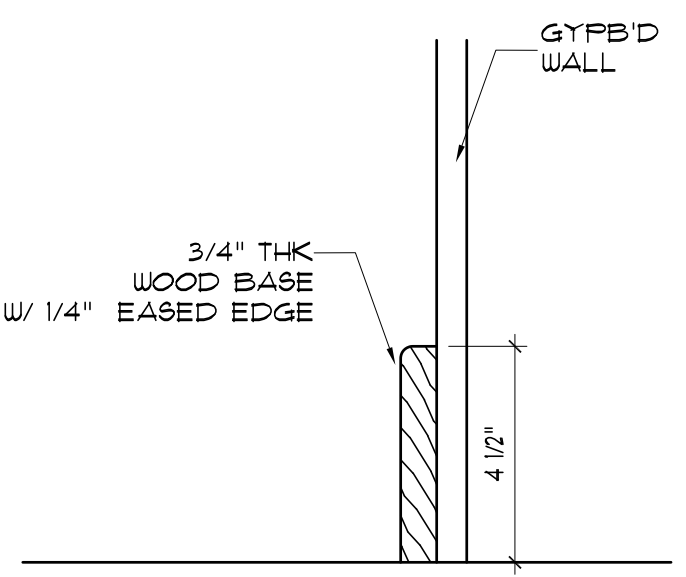
SHEET - OF -

A-9.8

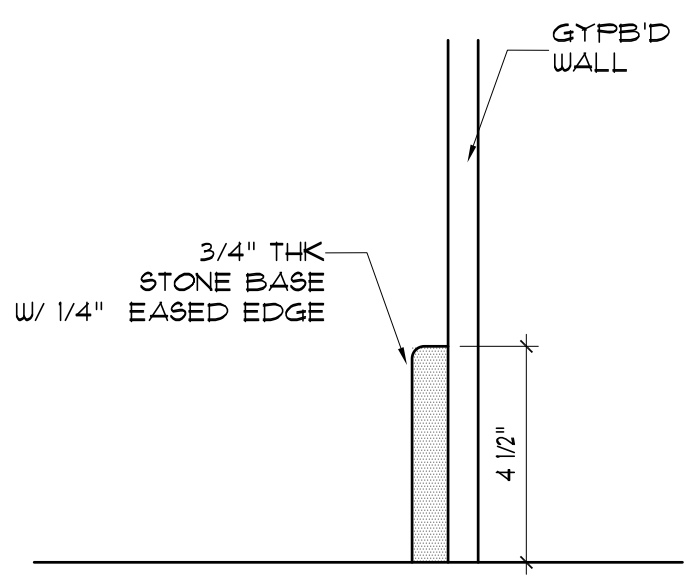
DATE: -



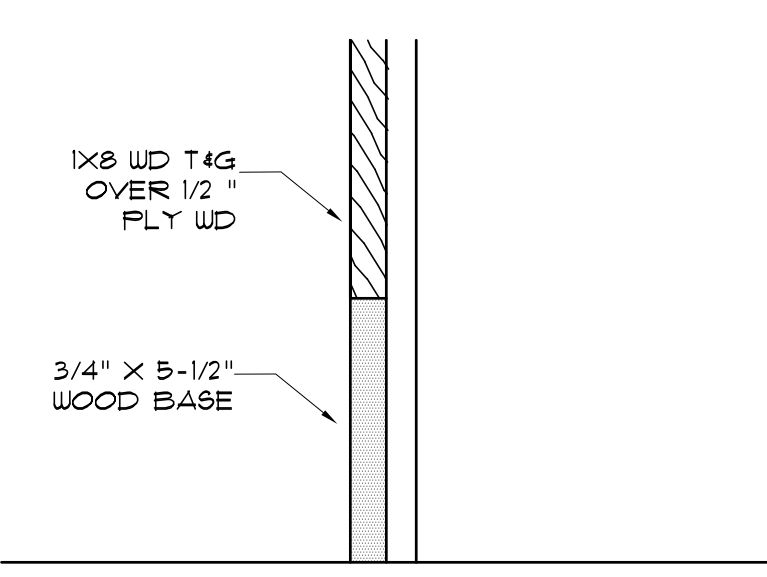
1 FLOOR BASE TRAVERTINE
SCALE: 3" = 1'-0"



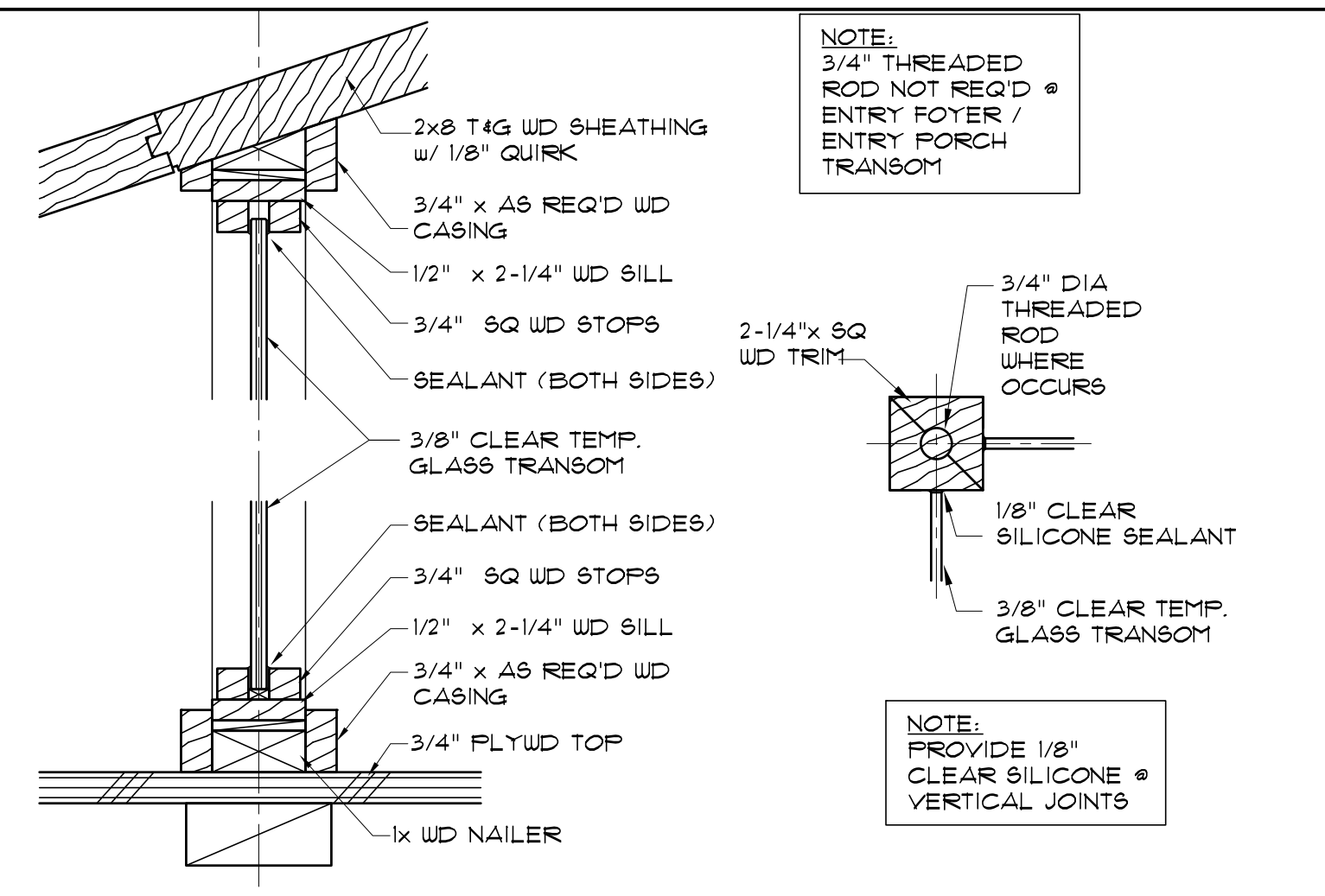
2 FLOOR BASE WHITE OAK
SCALE: 3" = 1'-0"



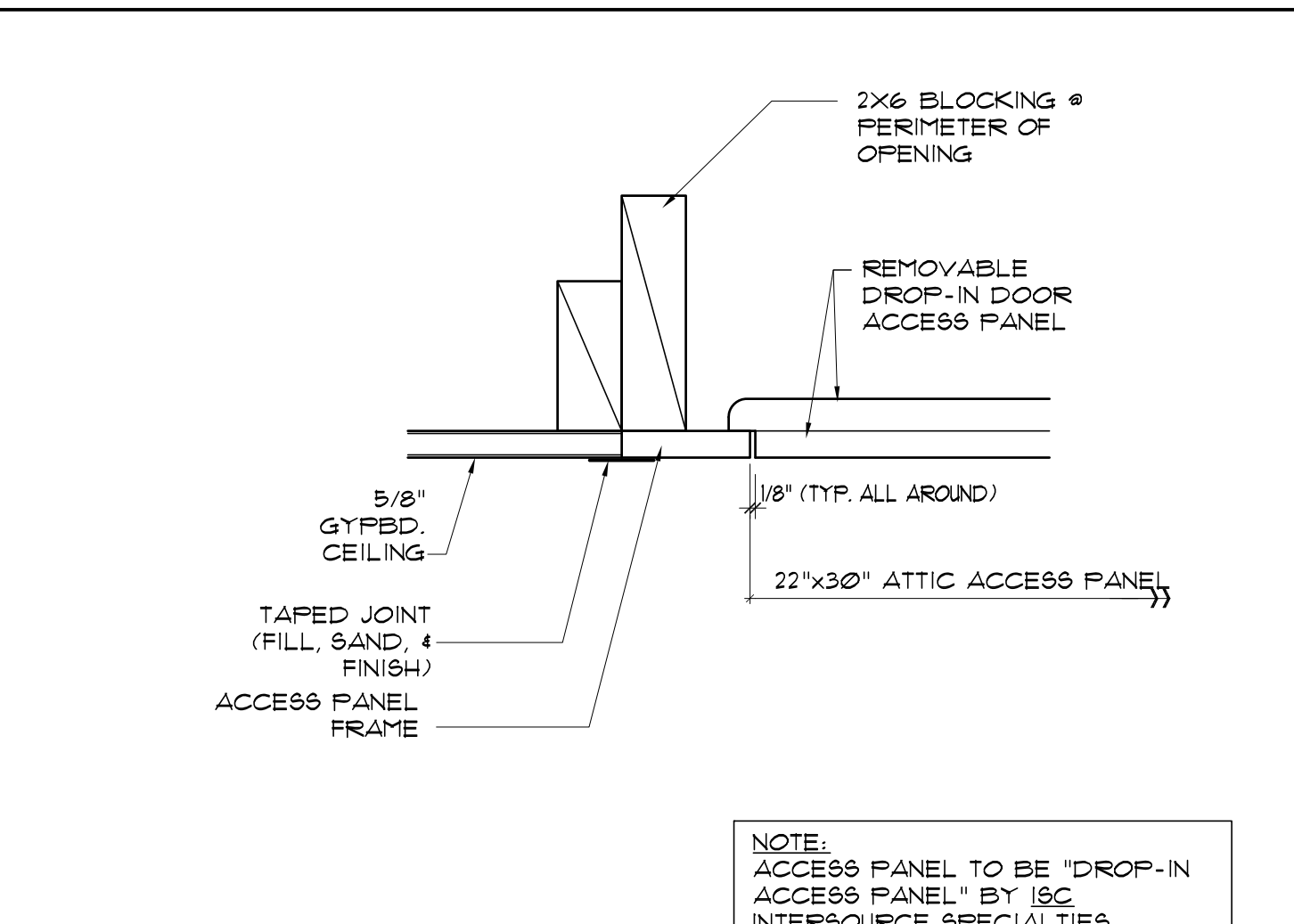
3 FLOOR BASE BASALT, GRANITE
SCALE: 3" = 1'-0"



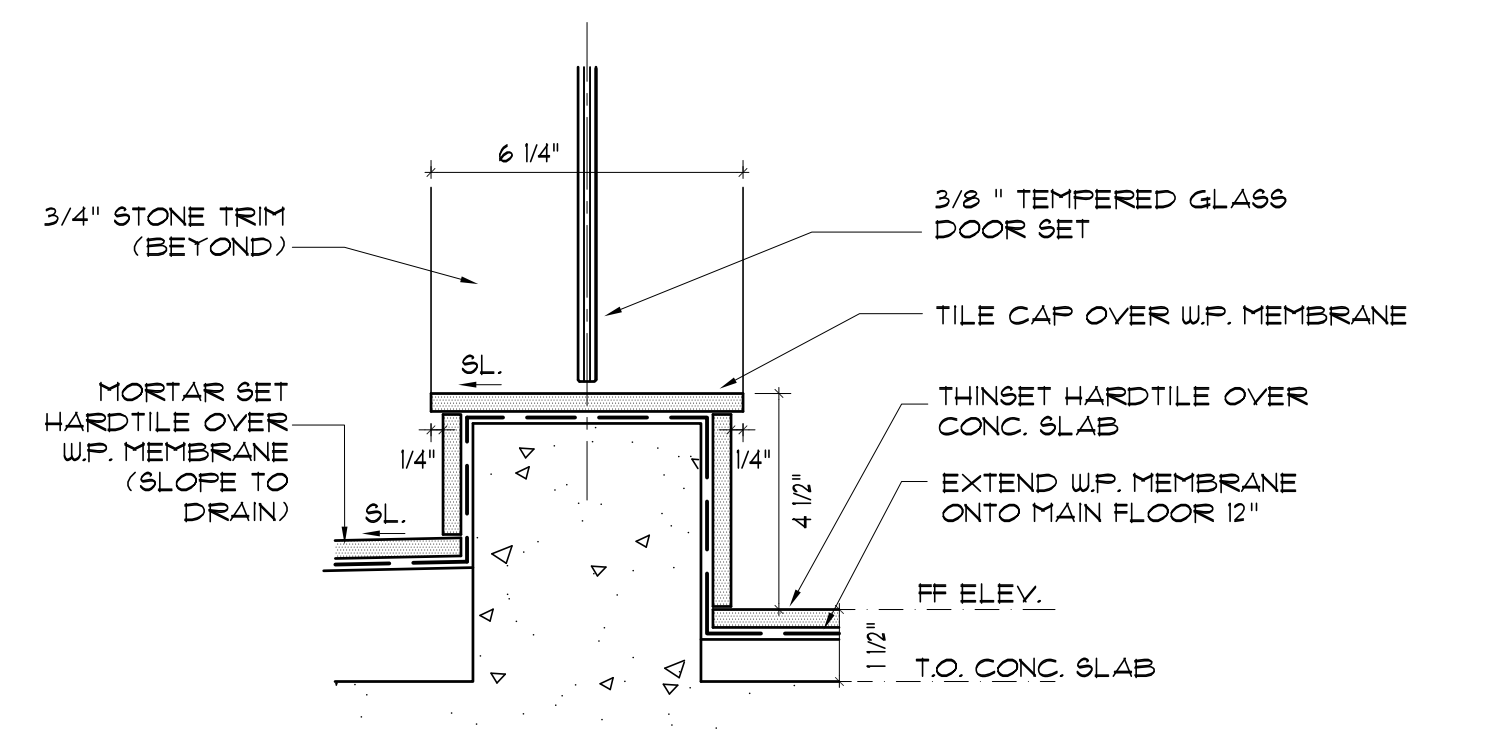
4 FLOOR BASE CEDAR
SCALE: 3" = 1'-0"



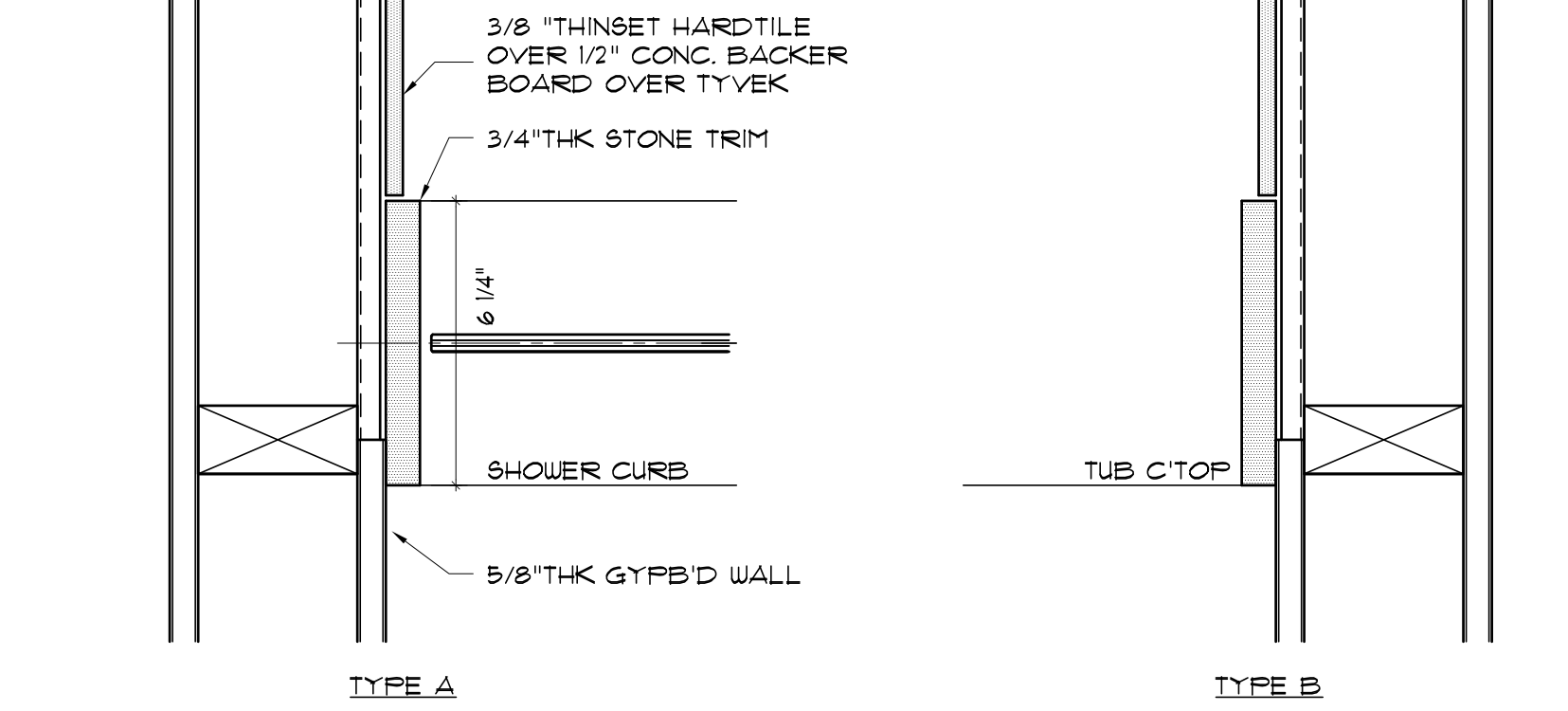
5 TEMPERED GLASS TRANSOM WINDOW
SCALE: 3" = 1'-0"



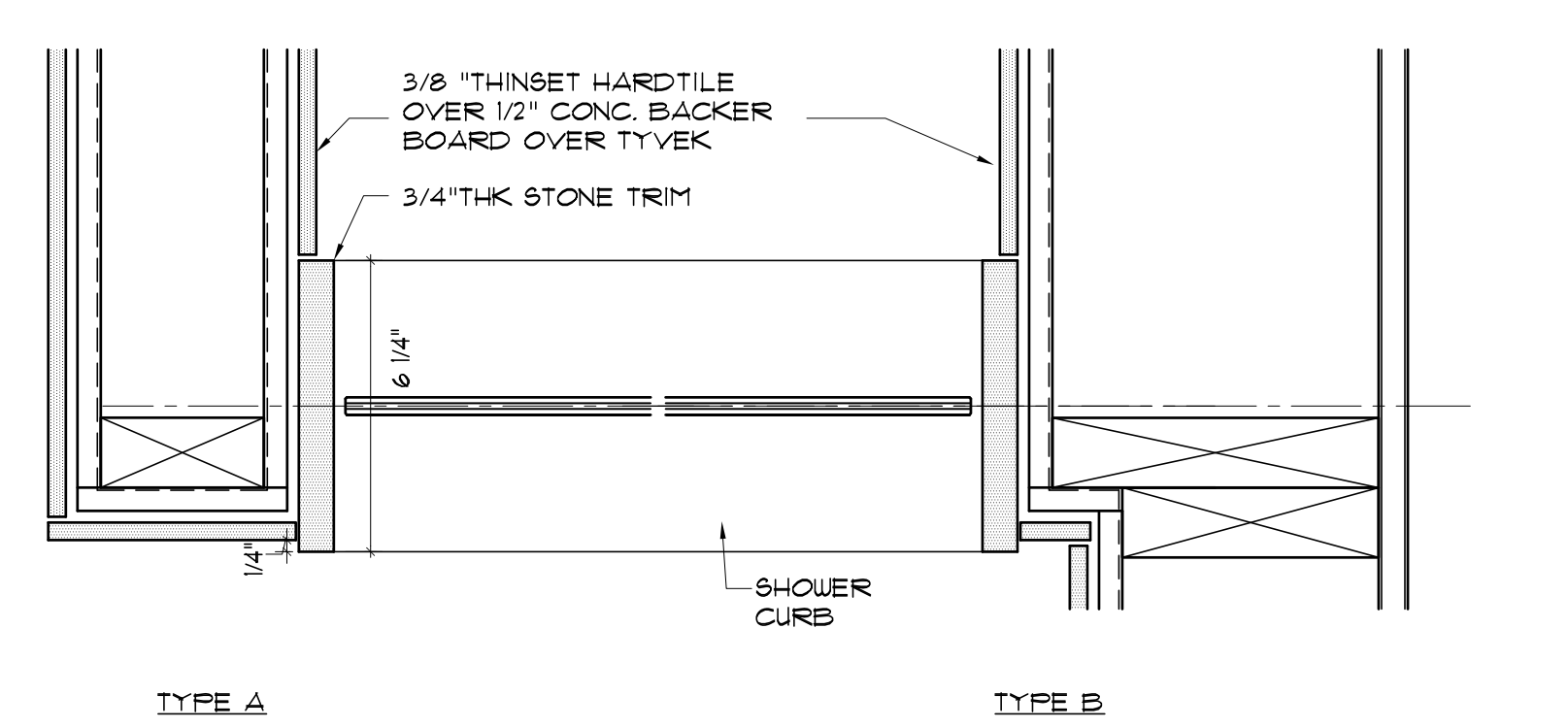
6 CEILING ACCESS PANEL
SCALE: 3" = 1'-0"



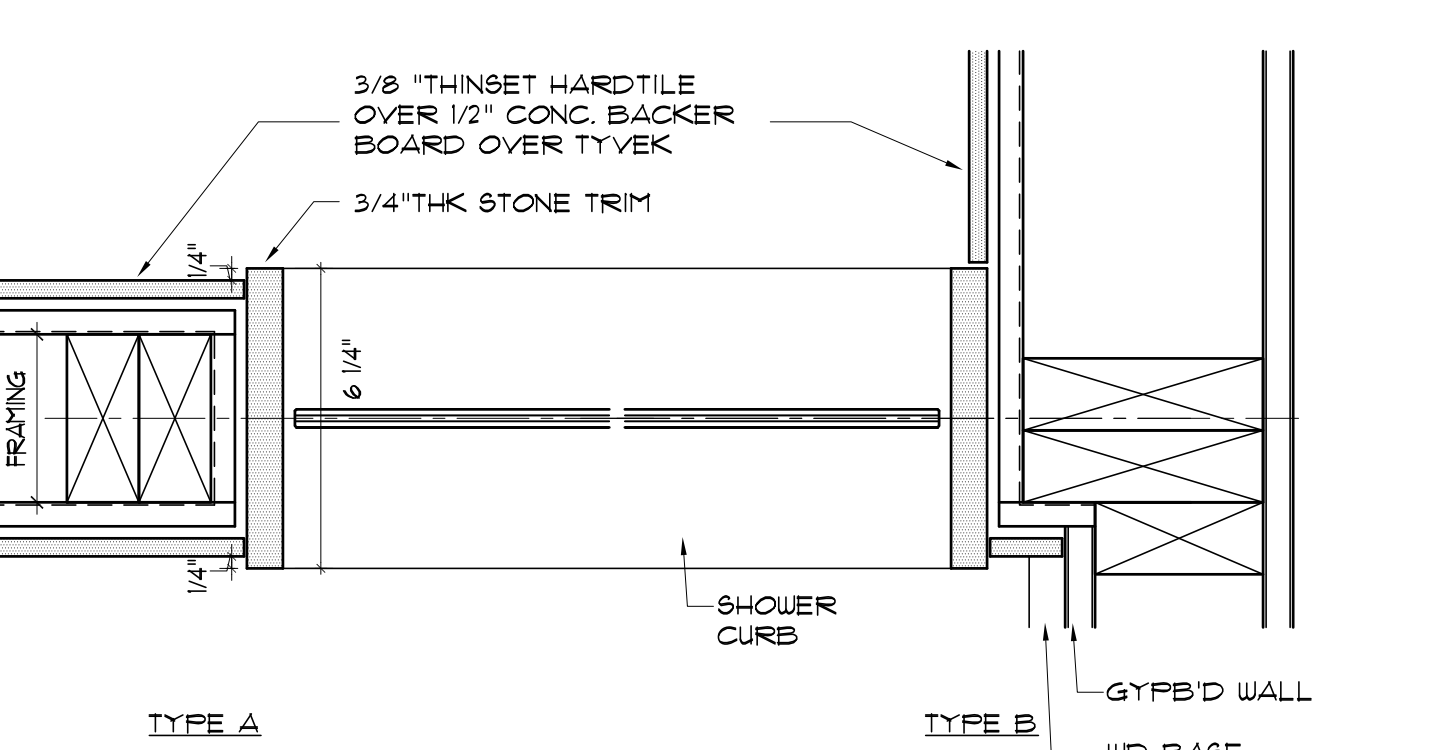
7 SHOWER CURB
SCALE: 3" = 1'-0"



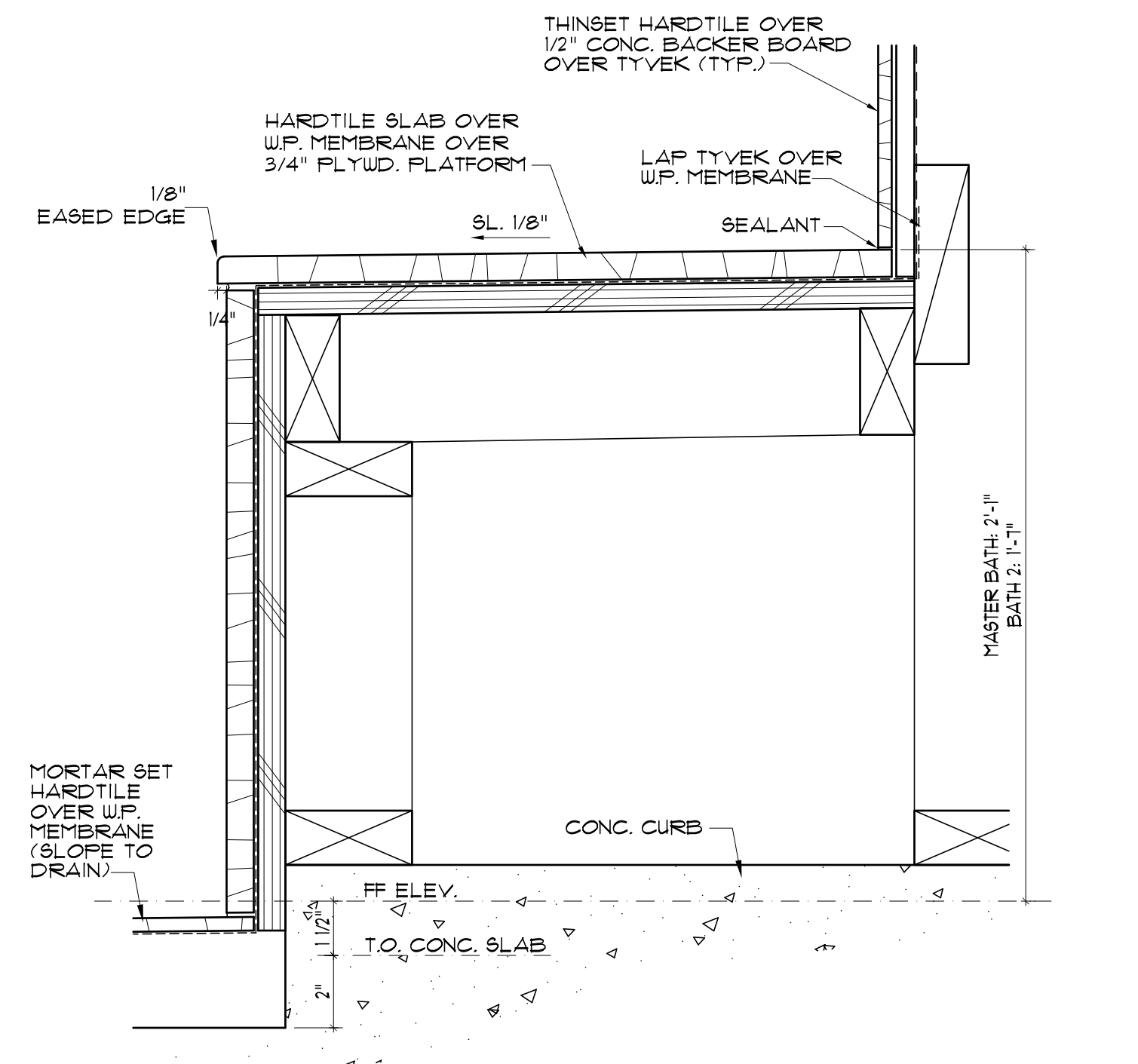
8 SHOWER WALL TILE [BATH 1]
SCALE: 3" = 1'-0"



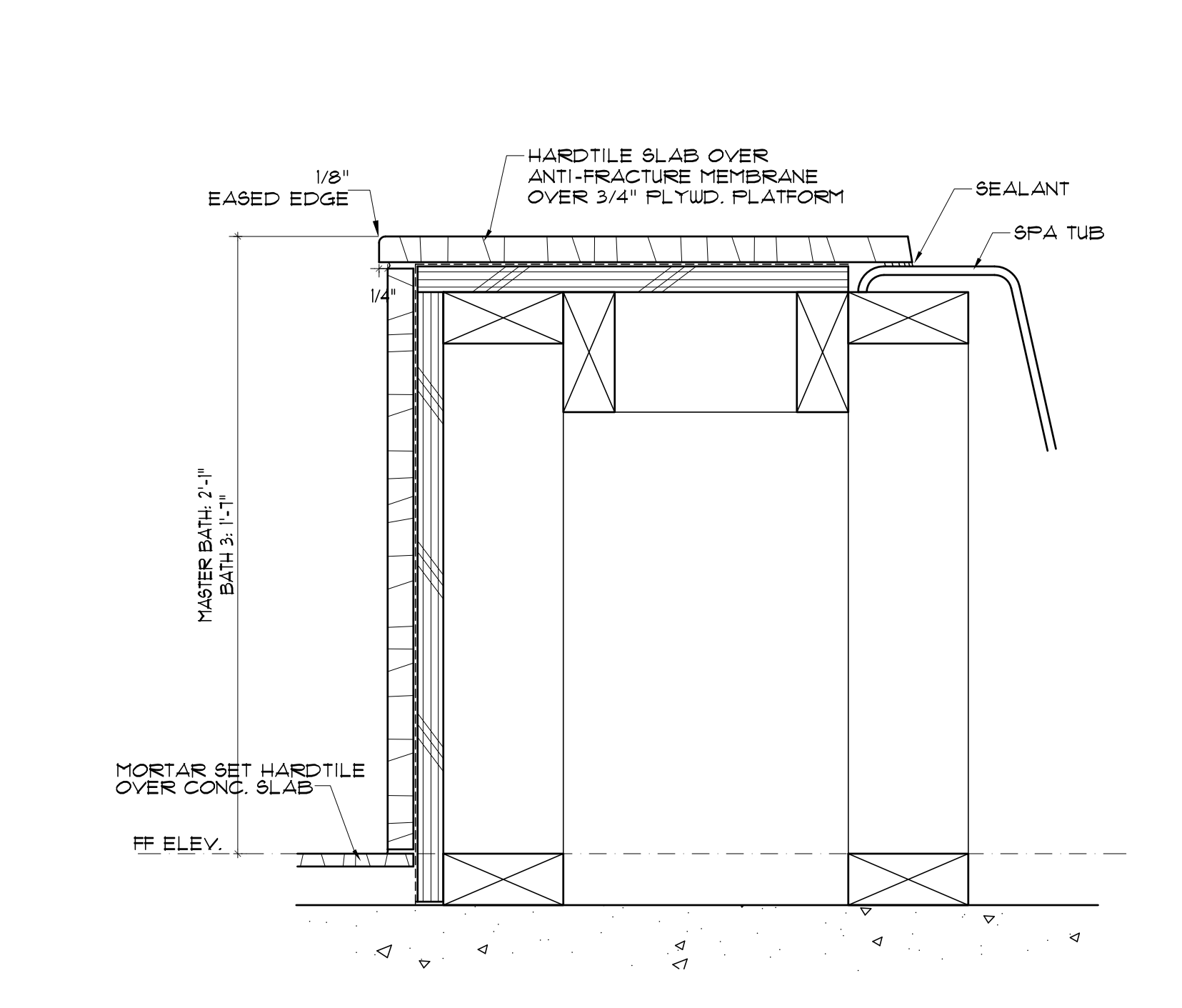
9 SHOWER WALL TILE [BATH 1]
SCALE: 3" = 1'-0"



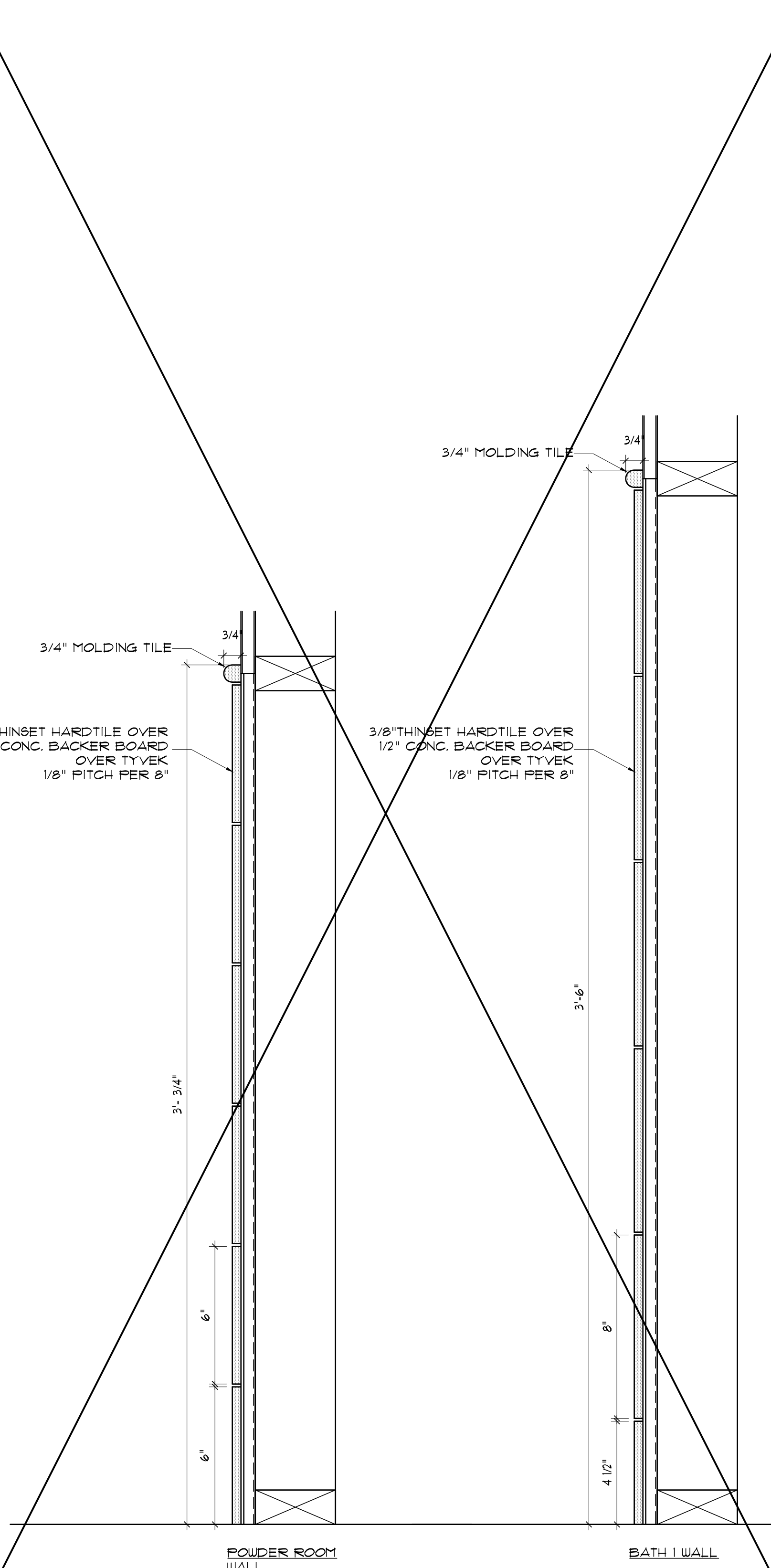
10 SHOWER WALL TILE [BATH 2, 3]
SCALE: 3" = 1'-0"



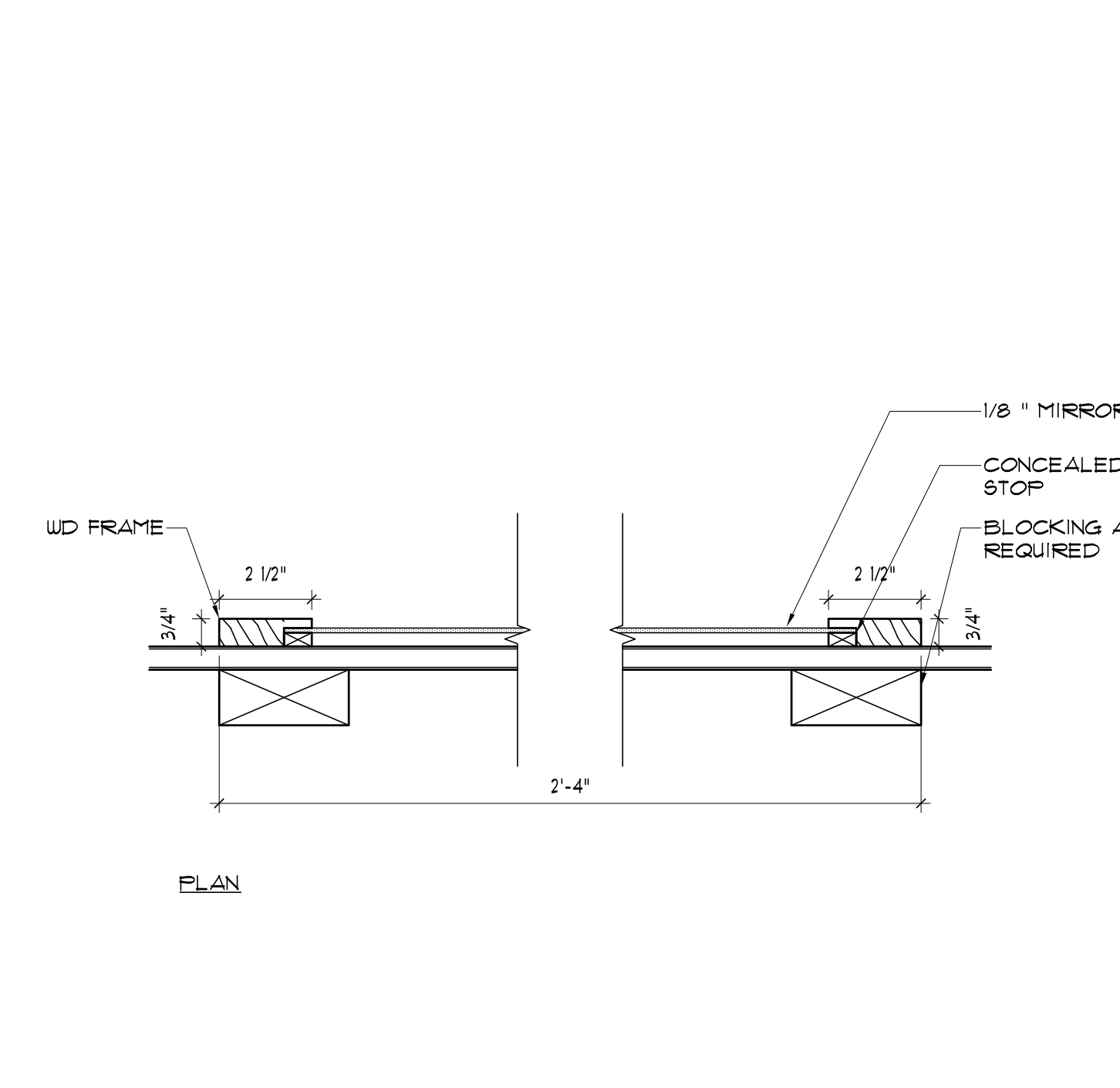
11 SHOWER BENCH
SCALE: 3" = 1'-0"



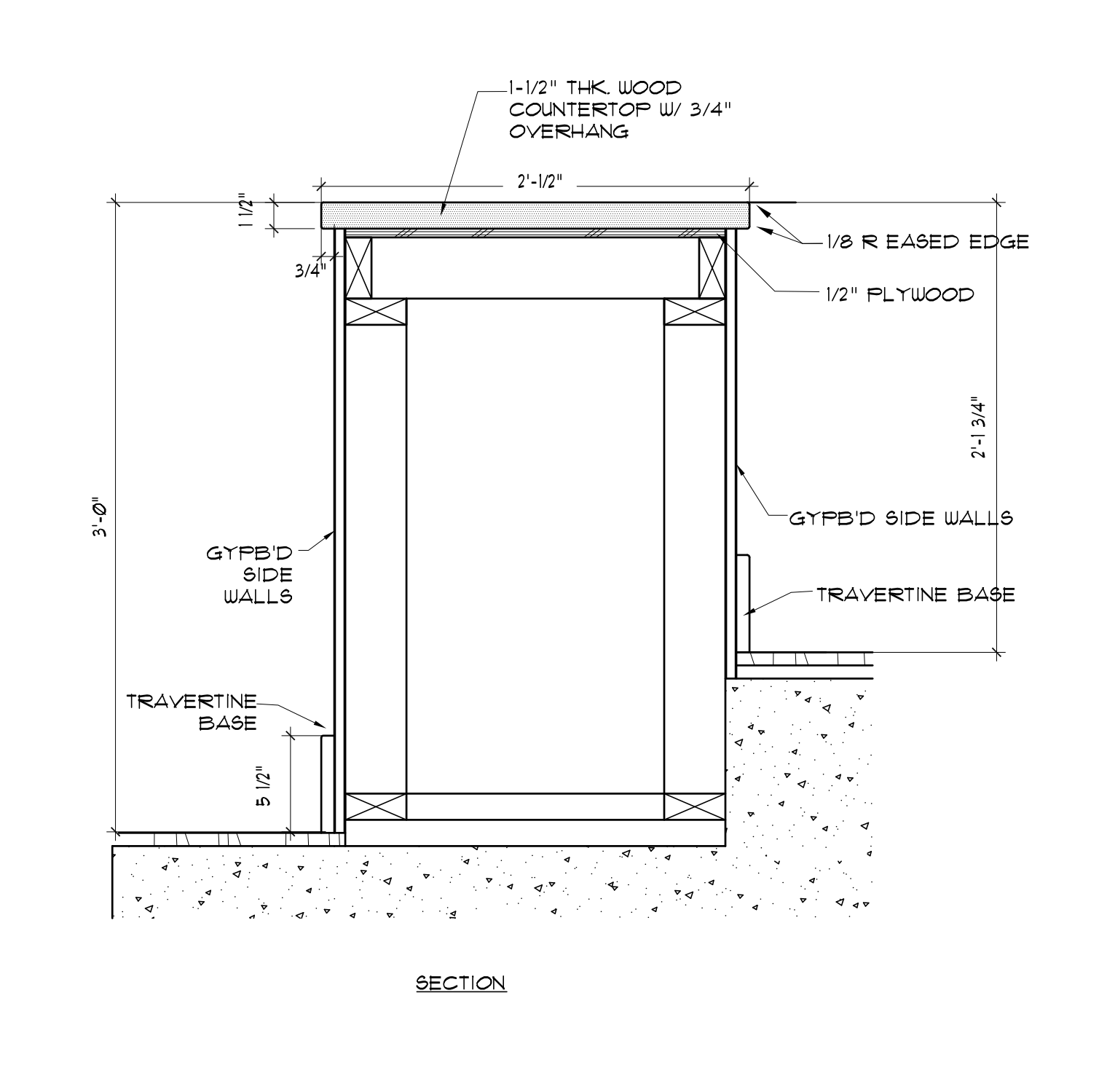
12 BATH PLATFORM
SCALE: 3" = 1'-0"



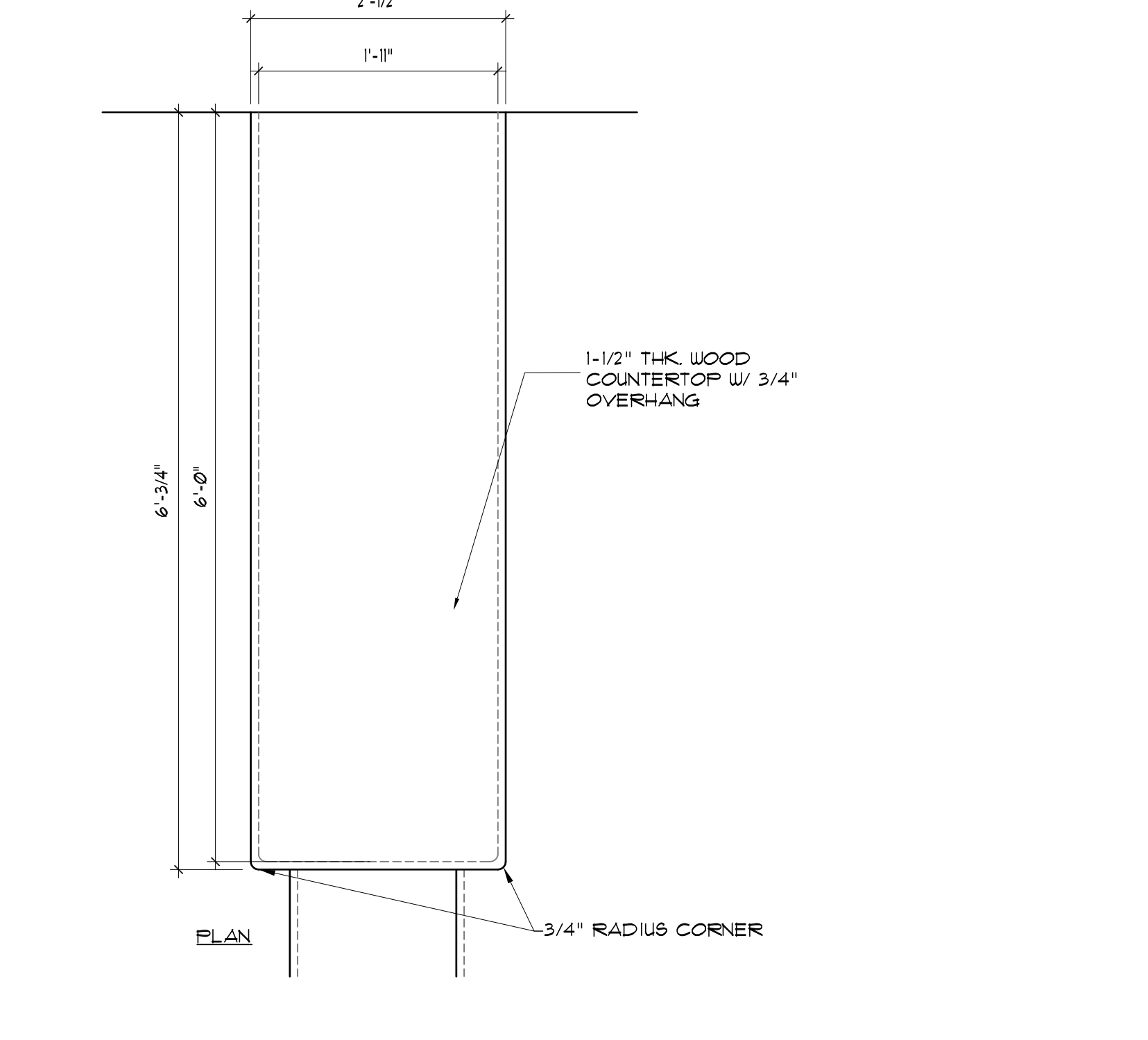
14 TILE WAINGSCOT WALL
SCALE: 3" = 1'-0"



15 BATH MIRROR
SCALE: 3" = 1'-0"



13 WOOD COUNTERTOP AT ENTRANCE
SCALE: 3" = 1'-0"



13 WOOD COUNTERTOP AT ENTRANCE
SCALE: 3" = 1'-0"

636 Lambs St.
Honolulu, HI 96819
Tel. 808-842-9929
Web: nanhaiwall.com

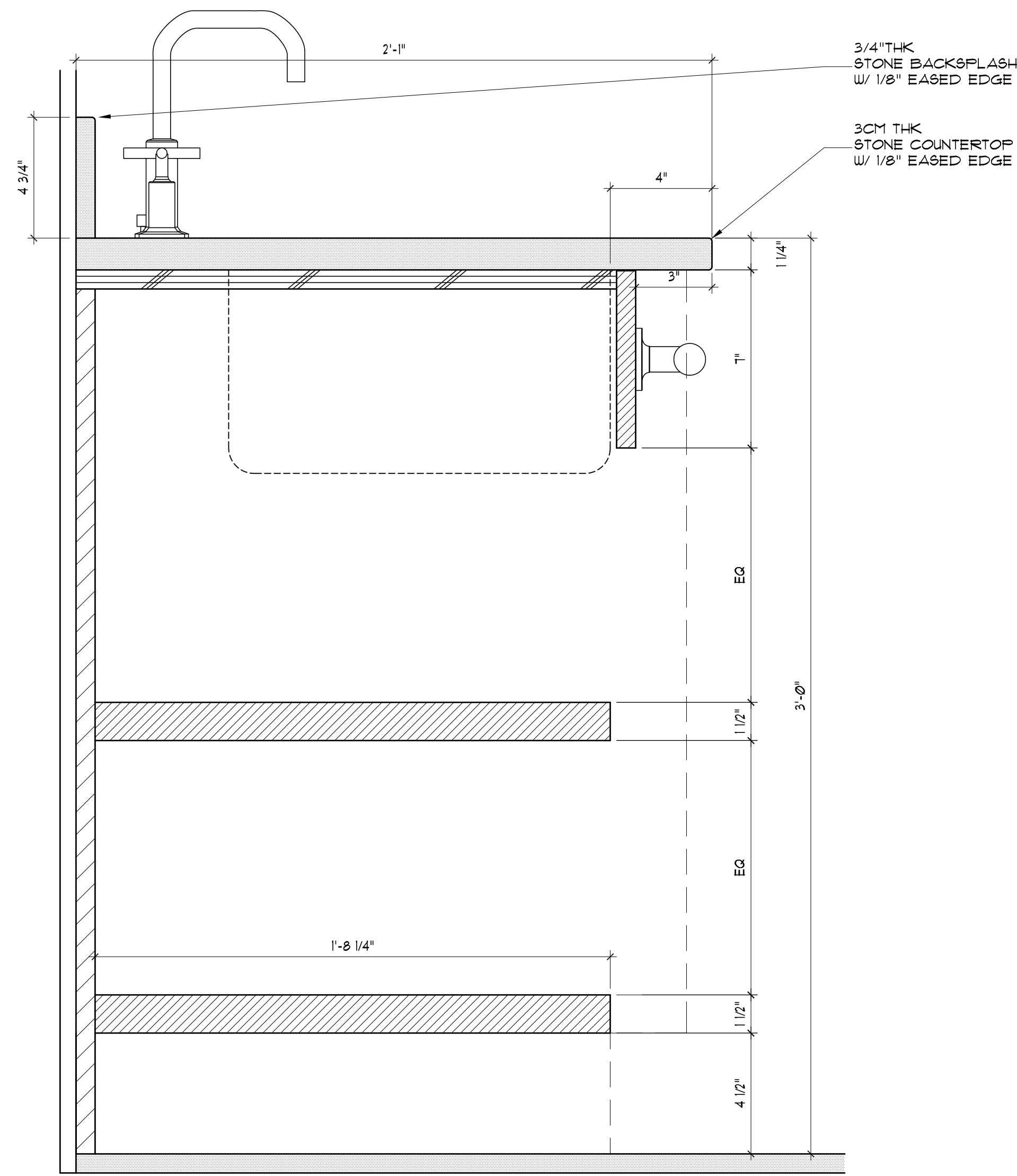
Nan Inc

Kapalua Mauka Mahana Estates - Model A1
Kapalua, Maui, Hawaii
MISCELLANEOUS DETAILS

REVISIONS:
06/04/2014
07/15/2014
08/07/2014
08/20/2014
07/23/2015
12/22/2015 - ACC 4P

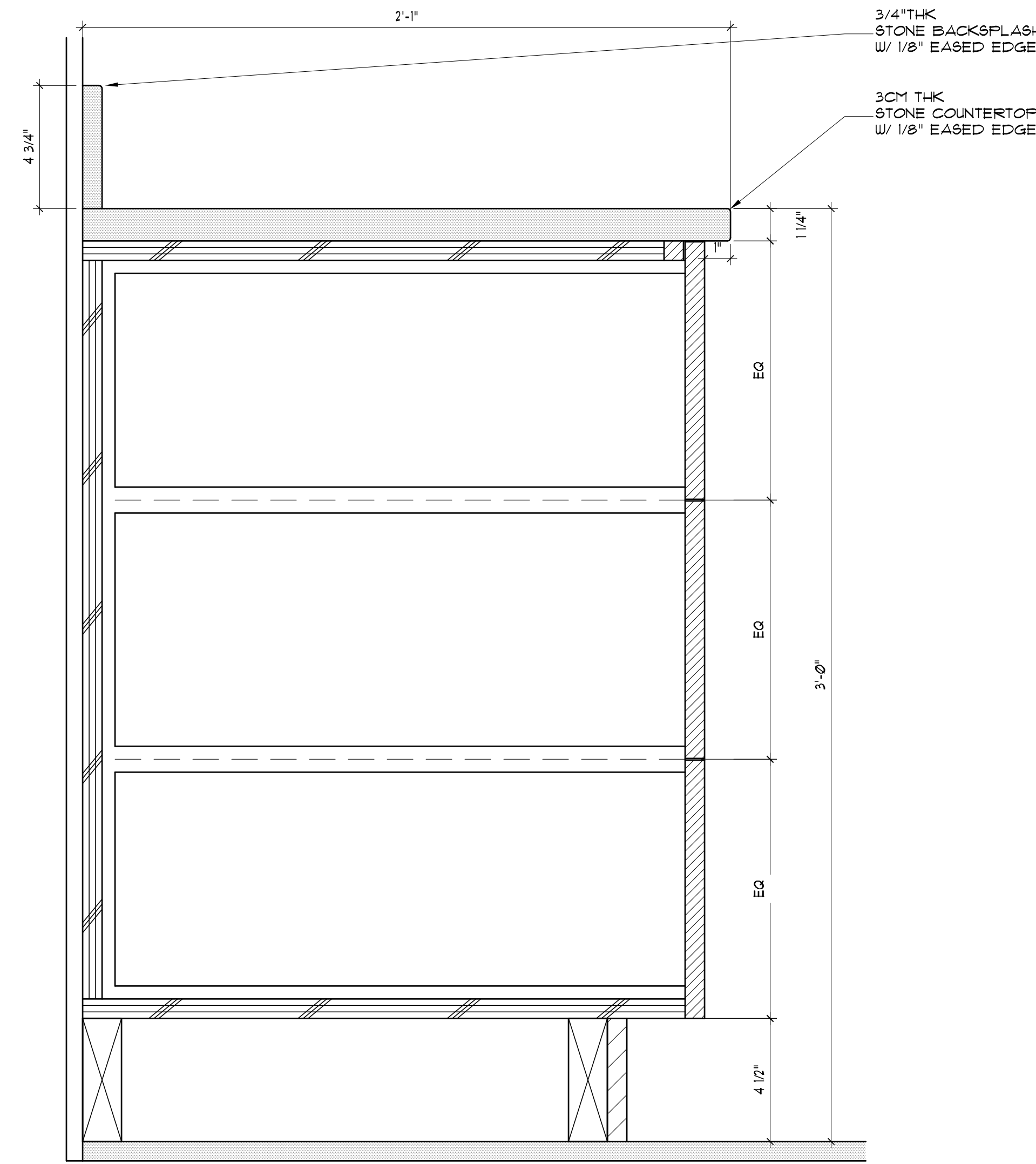
SHEET OF

A-9.9
DATE: -



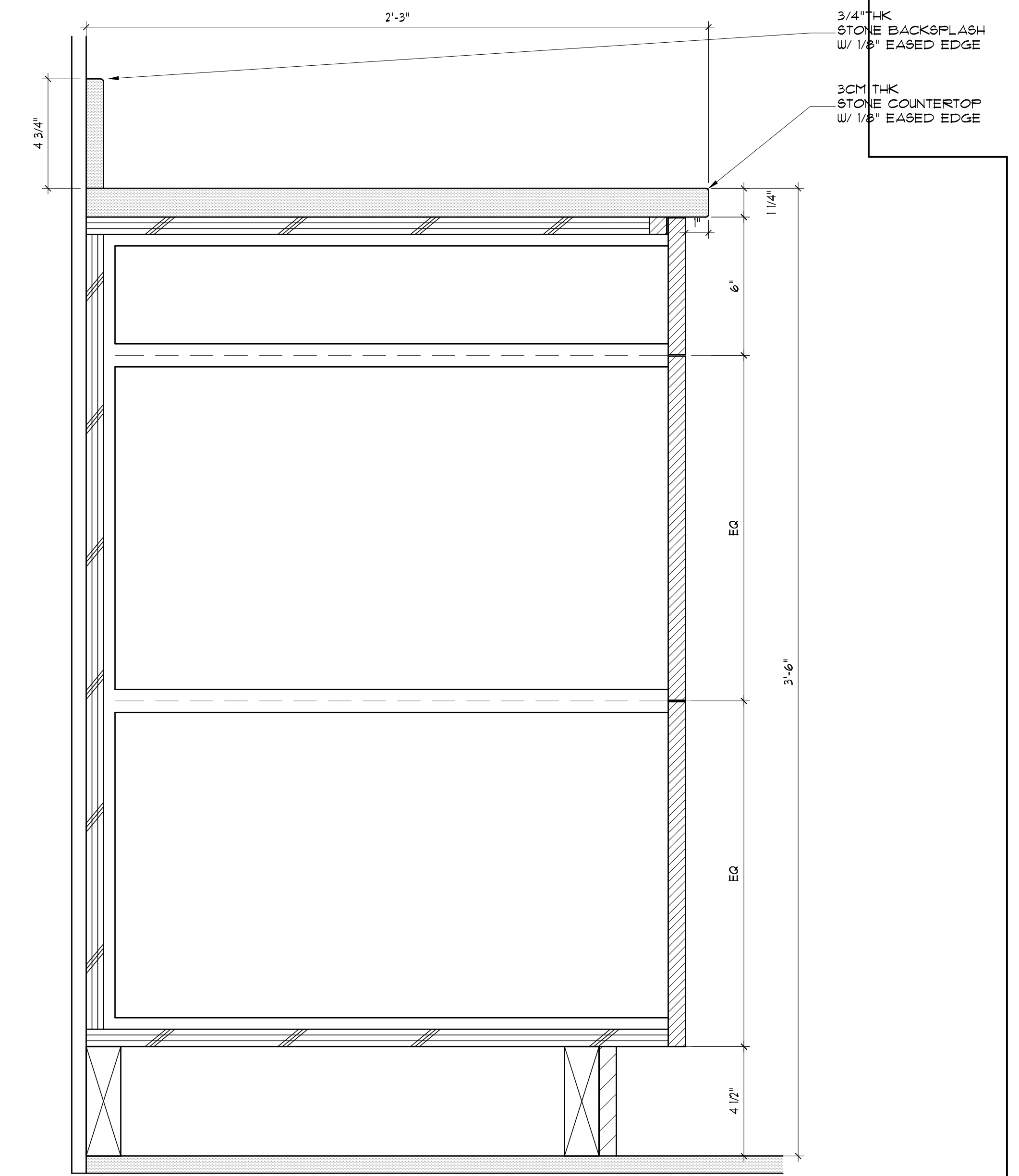
1 BATH CABINET SECTION

SCALE: 3/4" = 1'-0"



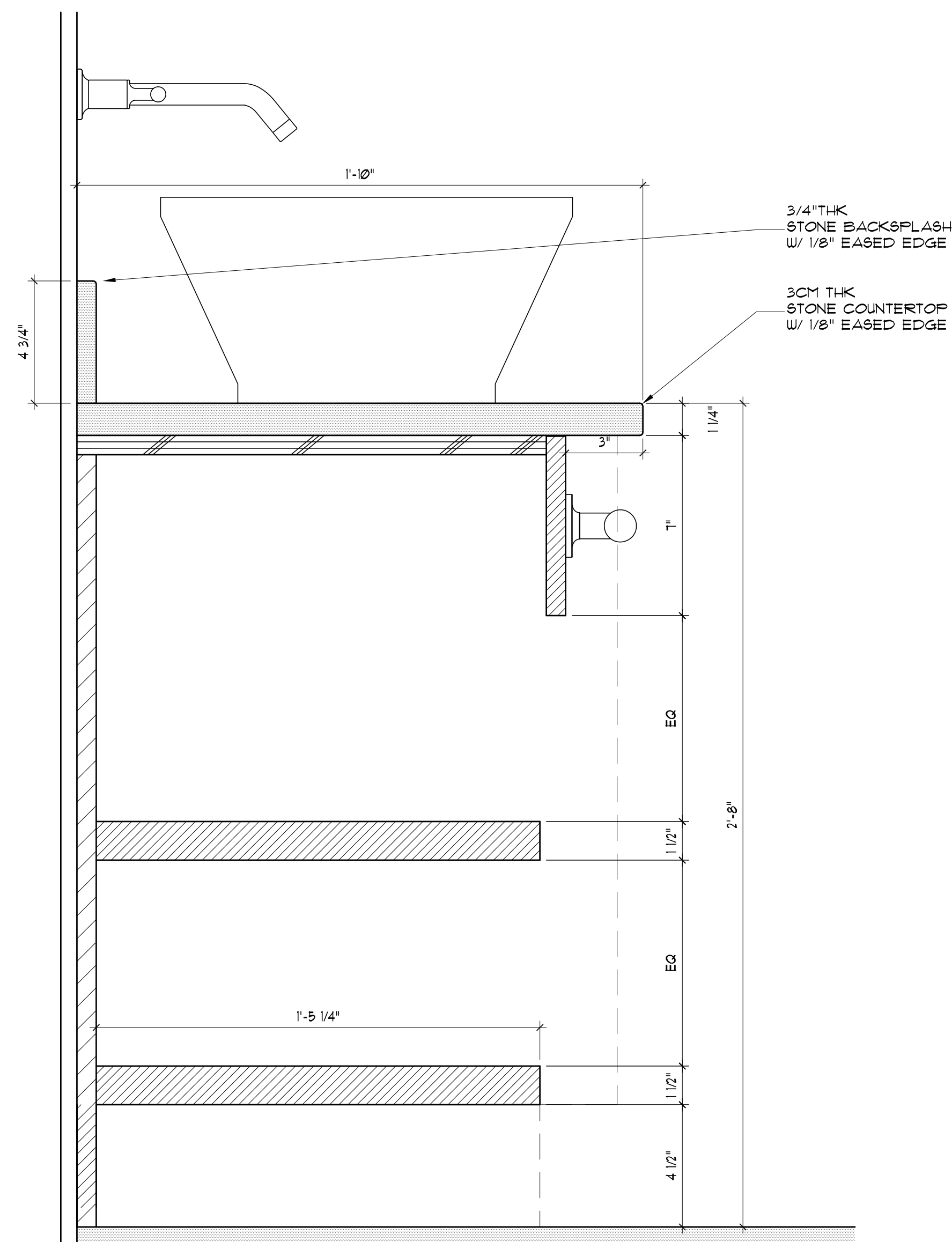
2 BATH CABINET SECTION

SCALE: 3/4" = 1'-0"



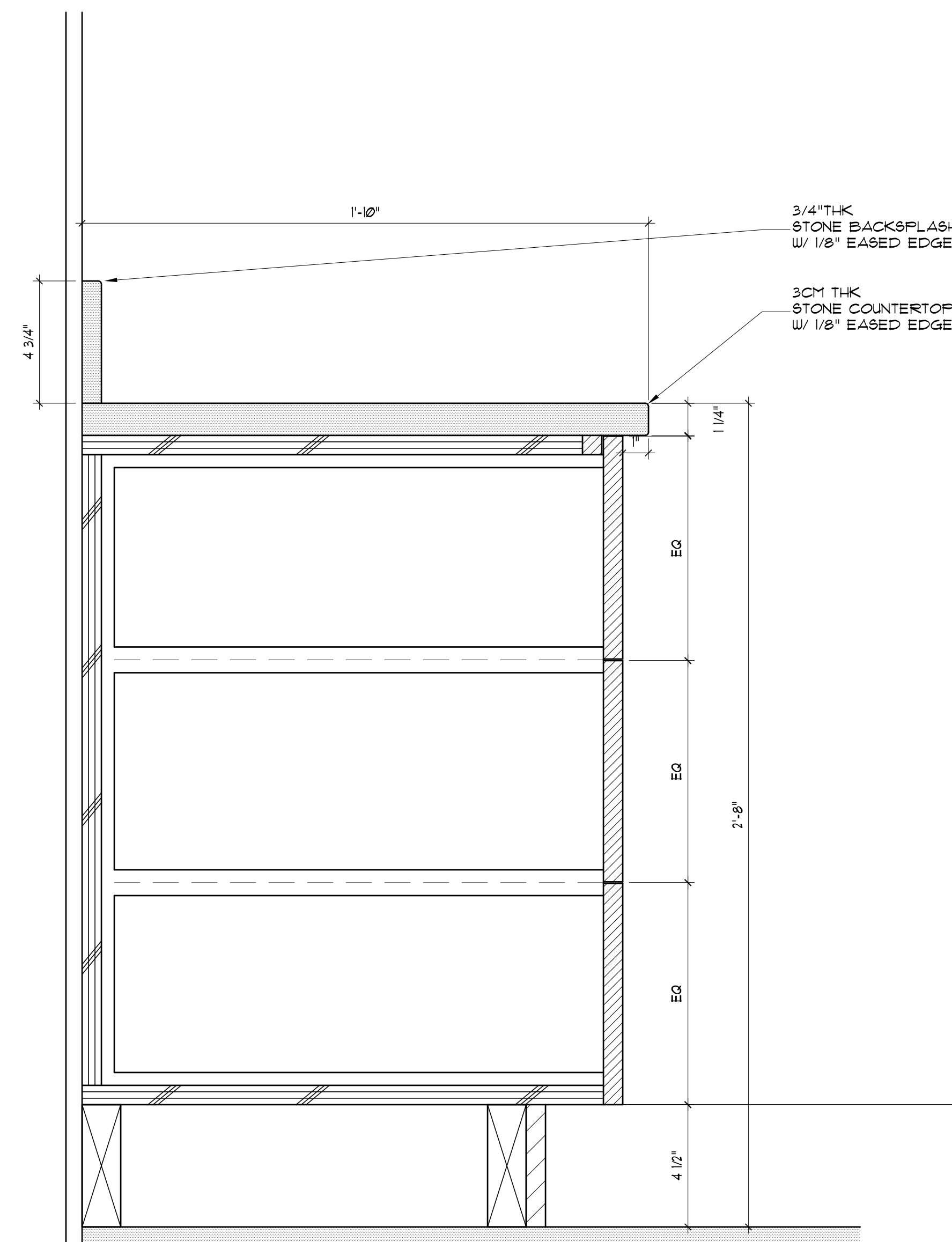
3 BATH CABINET SECTION

SCALE: 3/4" = 1'-0"



4 POWDER ROOM CABINET SECTION

SCALE: 3/4" = 1'-0"



5 POWDER ROOM CABINET SECTION

SCALE: 3/4" = 1'-0"

636 Lamaha St.
Honolulu, HI 96819
Tel: 808-842-4929
Web: nanahawaii.com

Nan Inc

Kapalua Mauka Mahana Estates - Model A1

Kapalua, Maui, Hawaii

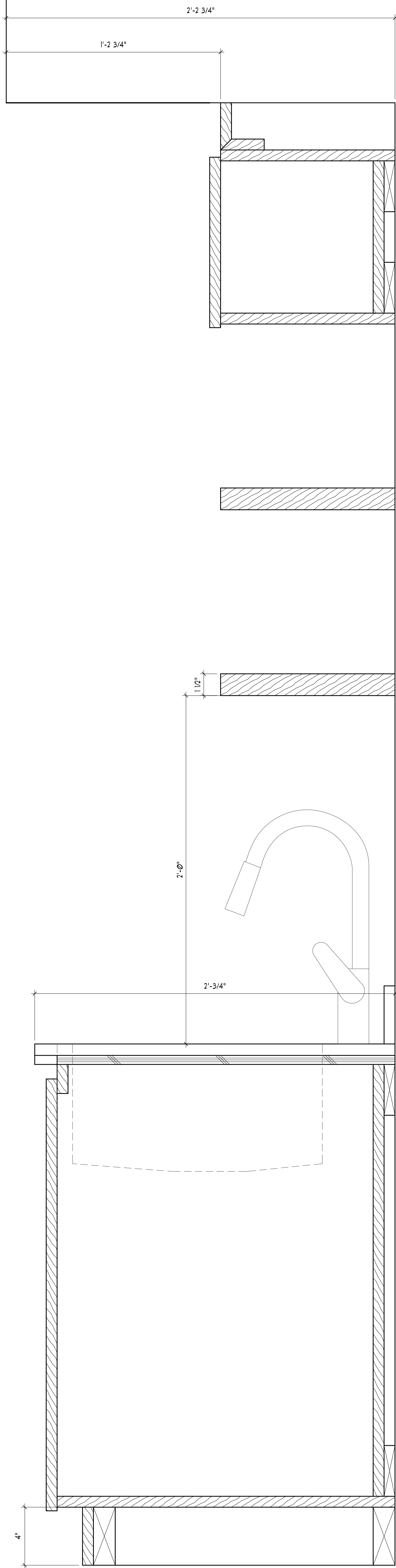
MISCELLANEOUS DETAILS

REVISIONS:
06/04/2014
07/15/2014
08/07/2014
07/13/2015
07/23/2015 - ACC 40

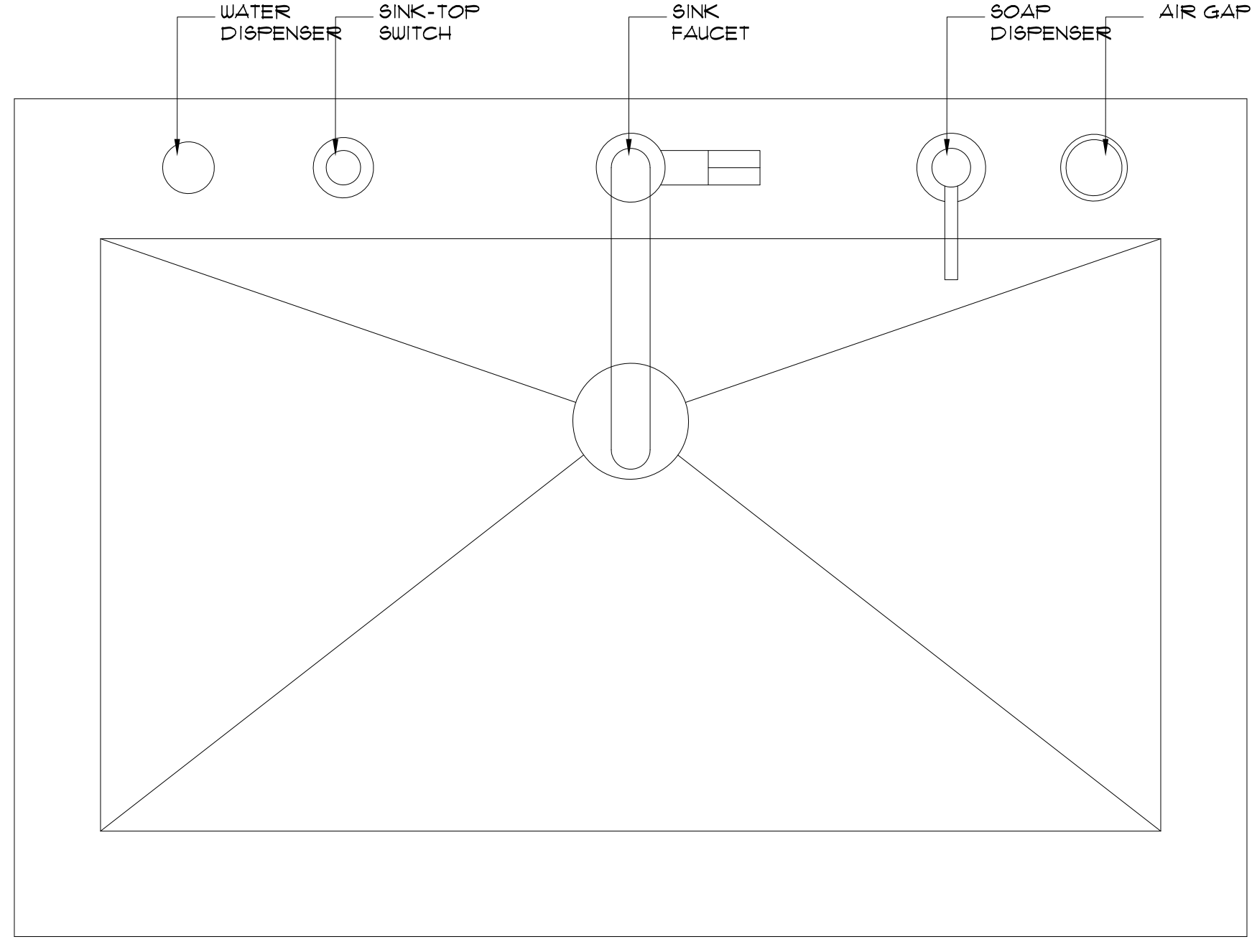
SHEET . OF .

A-9.10

DATE: .



1 KITCHEN CABINET
SCALE: 3/8" = 1'-0"



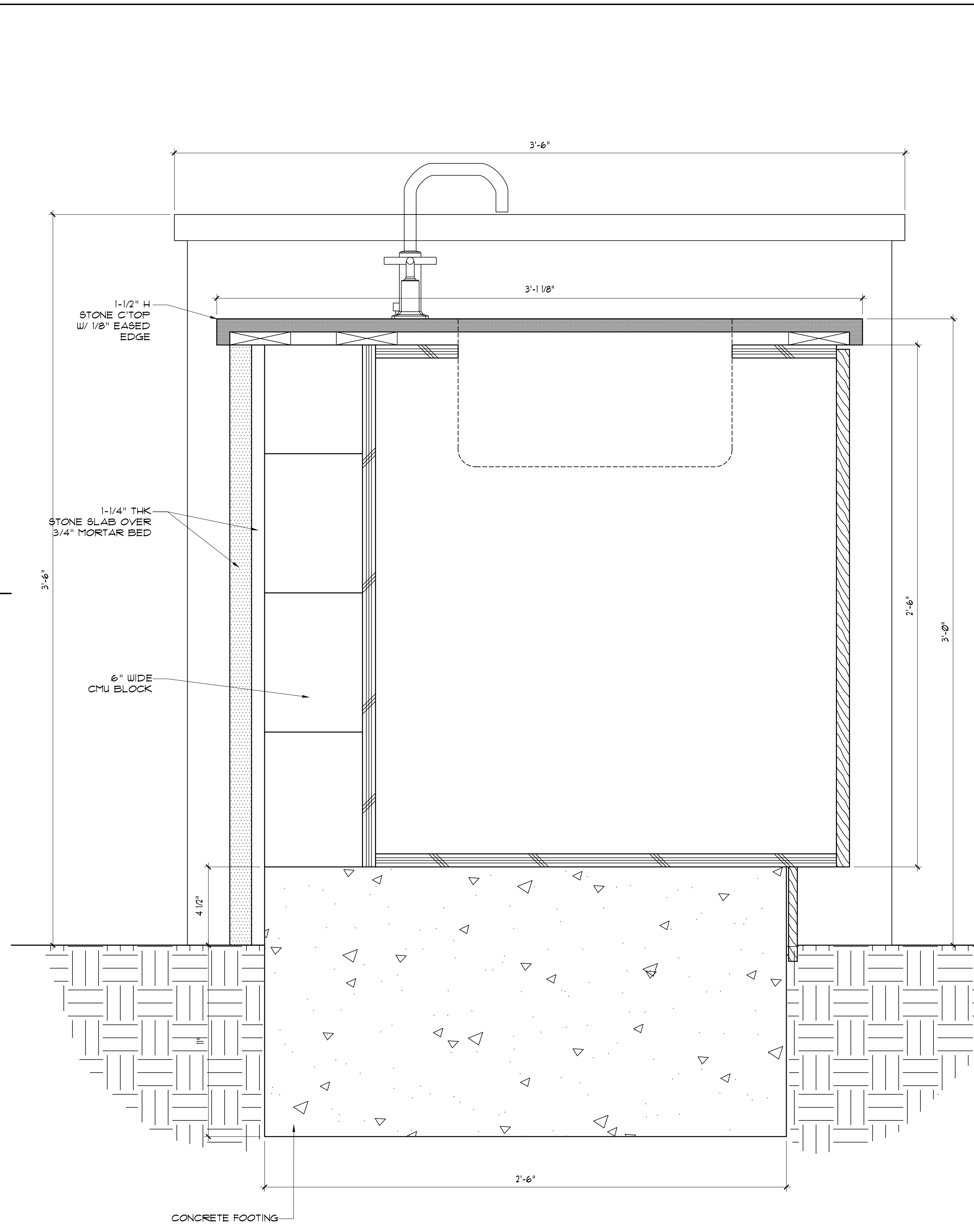
2 KITCHEN SINK
SCALE: 3/8" = 1'-0"

REVISIONS:
08-20-2004
01-22-2004
06-02-2005
07-23-2005
11-22-2005 - ACP 36

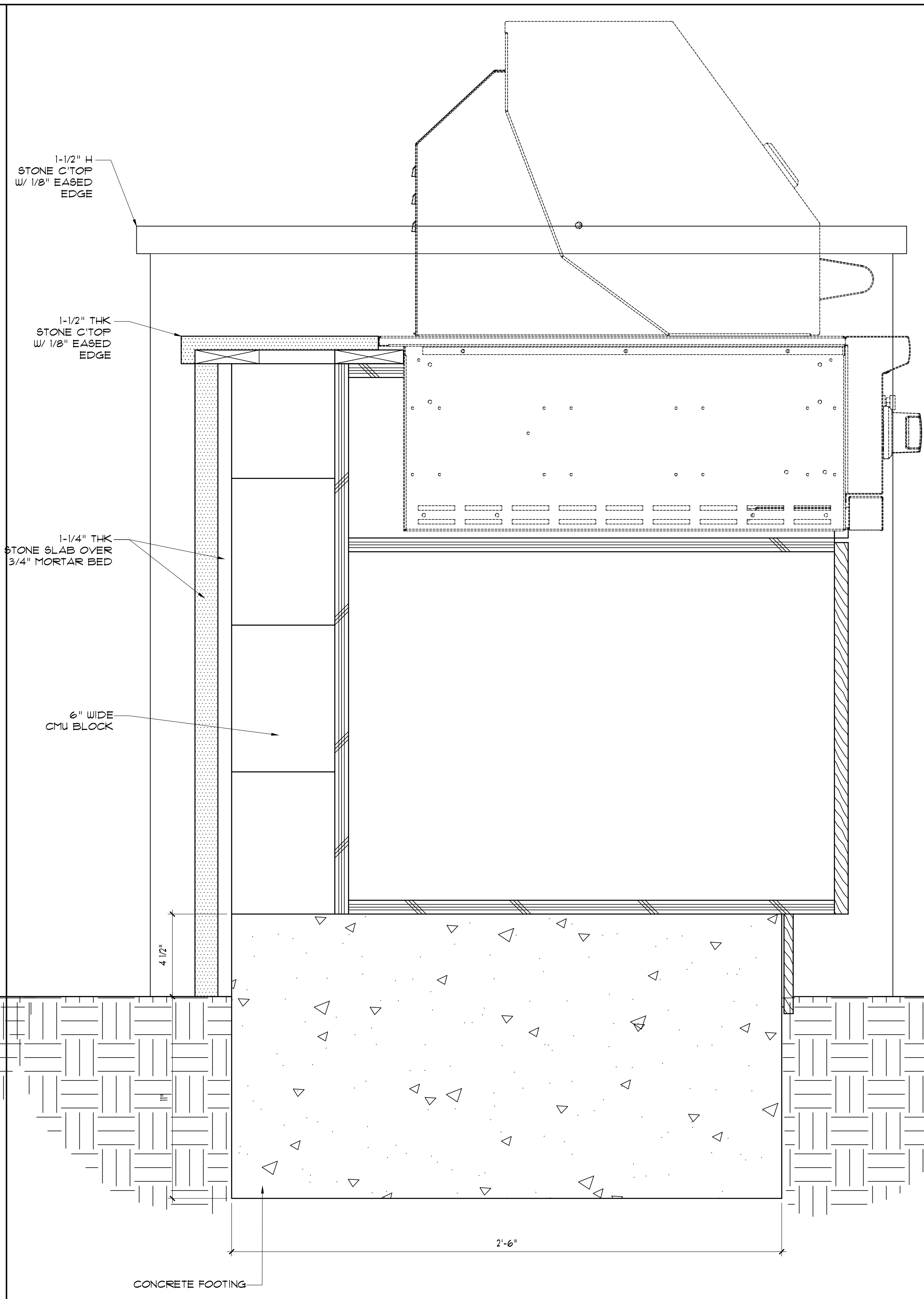
SHEET - OF -
A-9.11
DATE: -

Kapalua Mauka Mahana Estates - Model A1
Kapalua, Maui, Hawaii
MISCELLANEOUS DETAILS

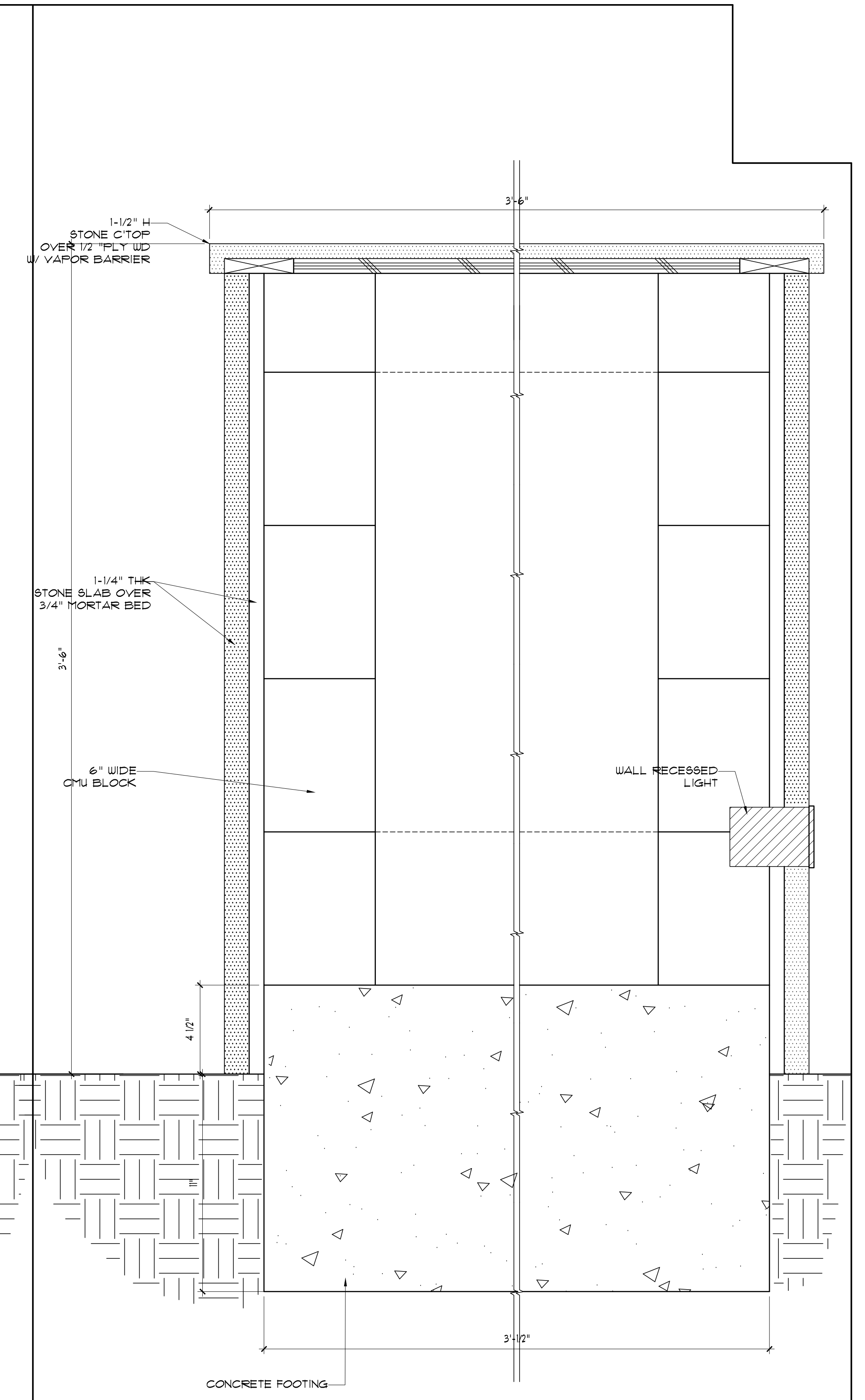
Nan Inc
636 Launika St.
Honolulu, HI 96819
Tel: 808-842-9929
Web: nanhawaii.com



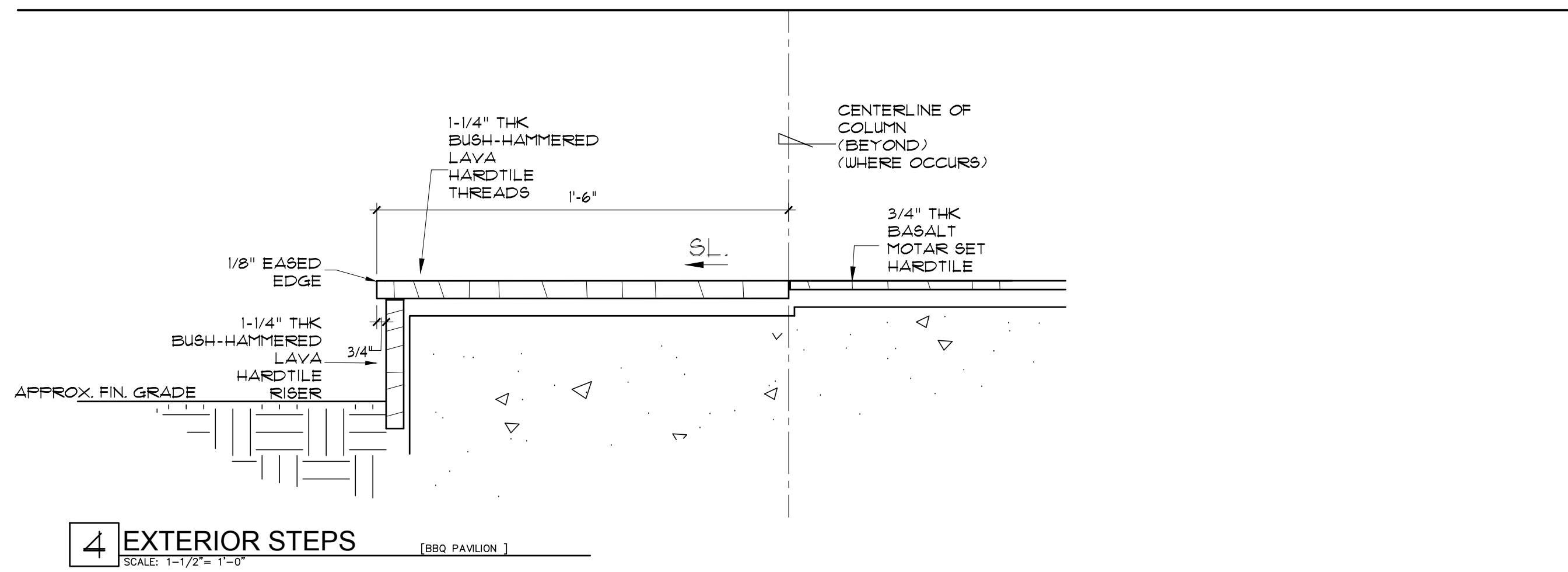
1 BBQ PAVILION CABINET
SCALE: 3" = 1'-0"



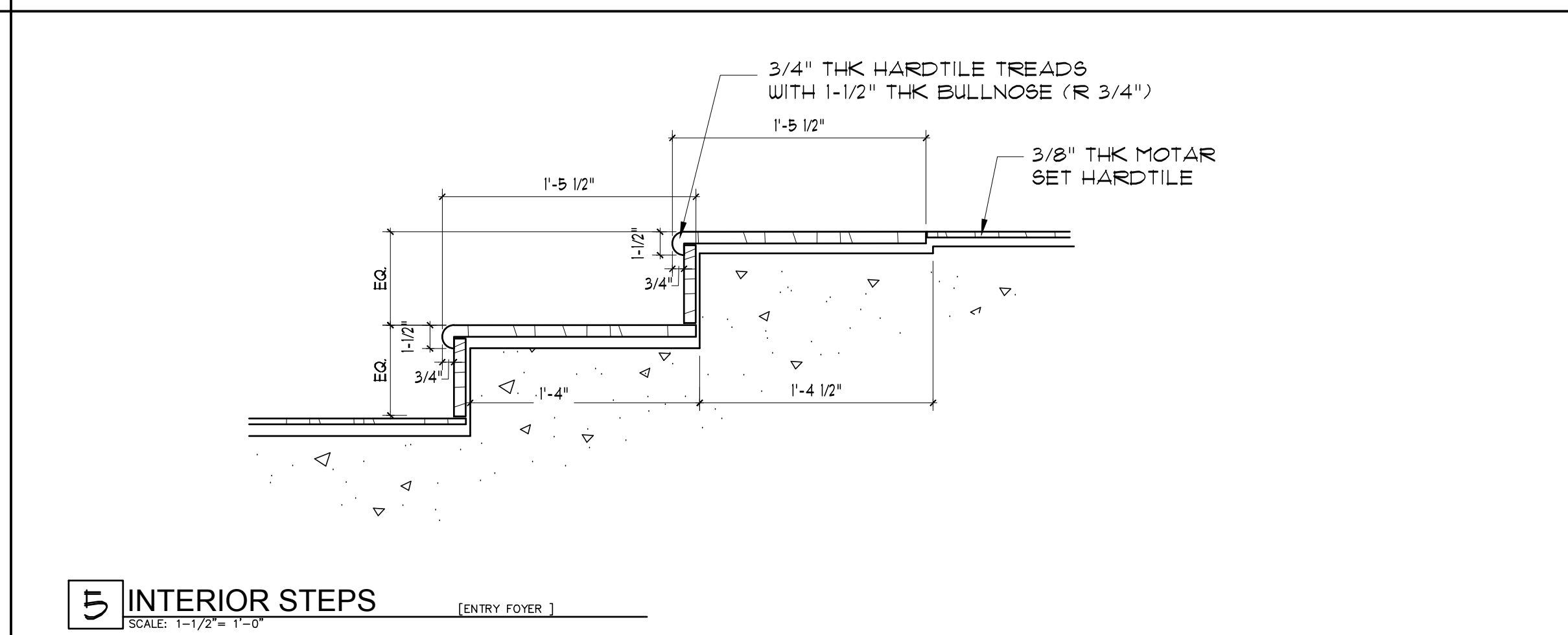
2 BBQ PAVILION CABINET
SCALE: 3" = 1'-0"



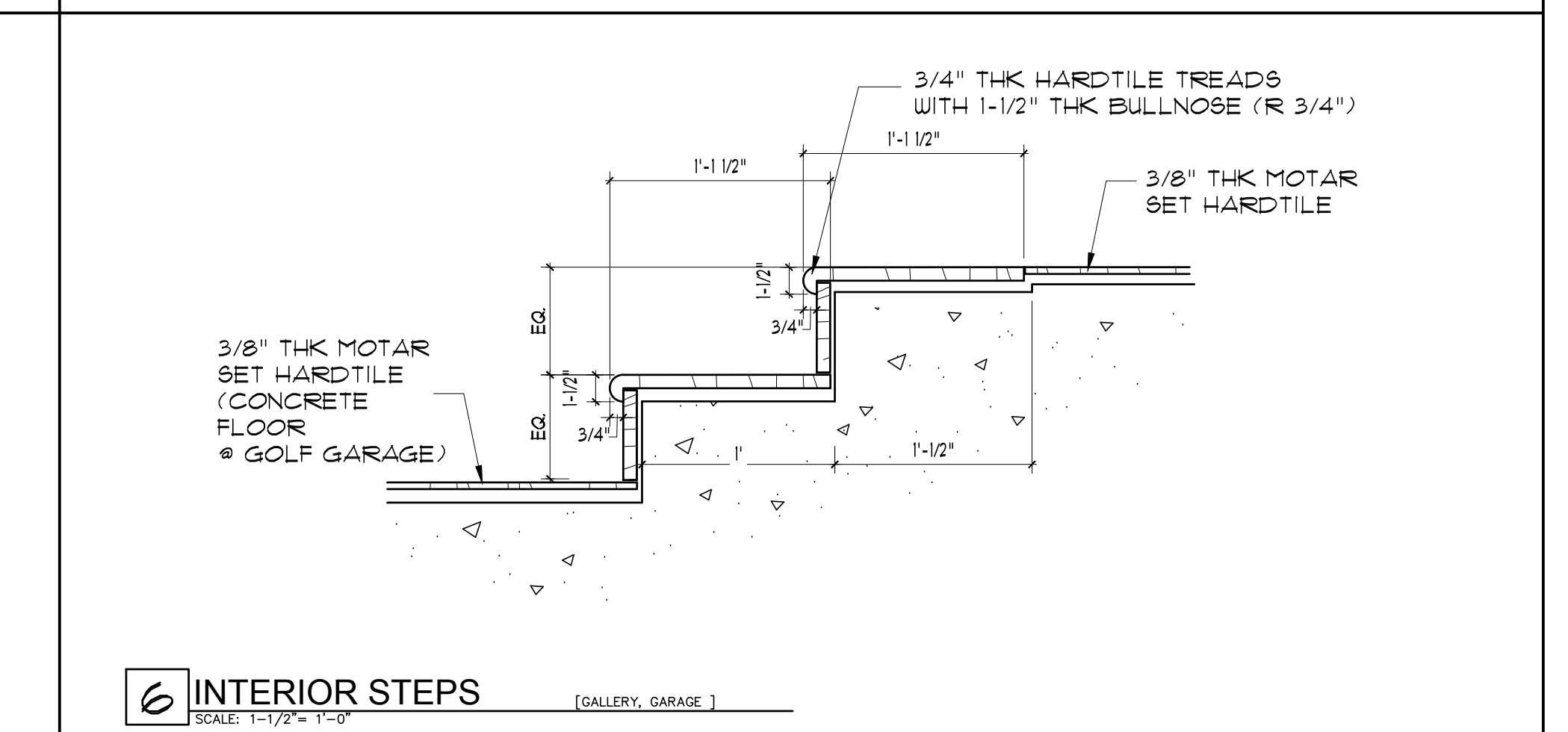
3 BBQ PAVILION CABINET
SCALE: 3" = 1'-0"



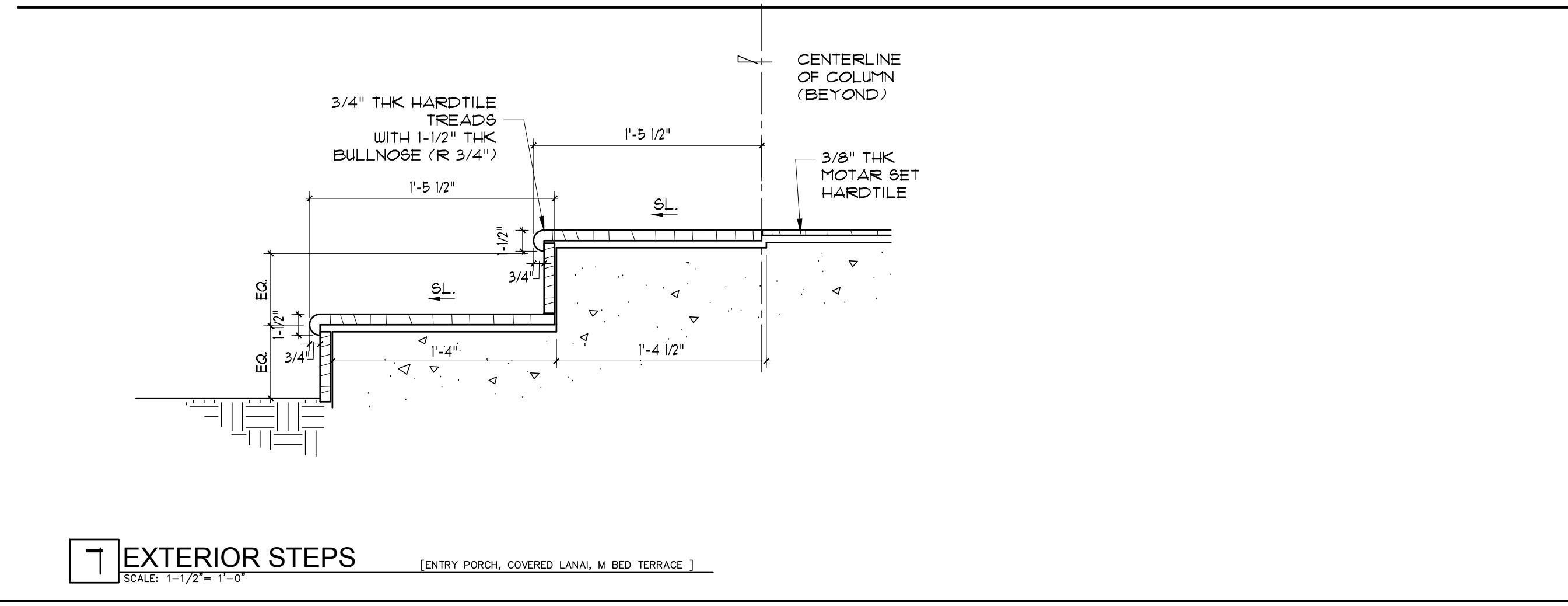
4 EXTERIOR STEPS
SCALE: 1 1/2" = 1'-0"
[BBQ PAVILION]



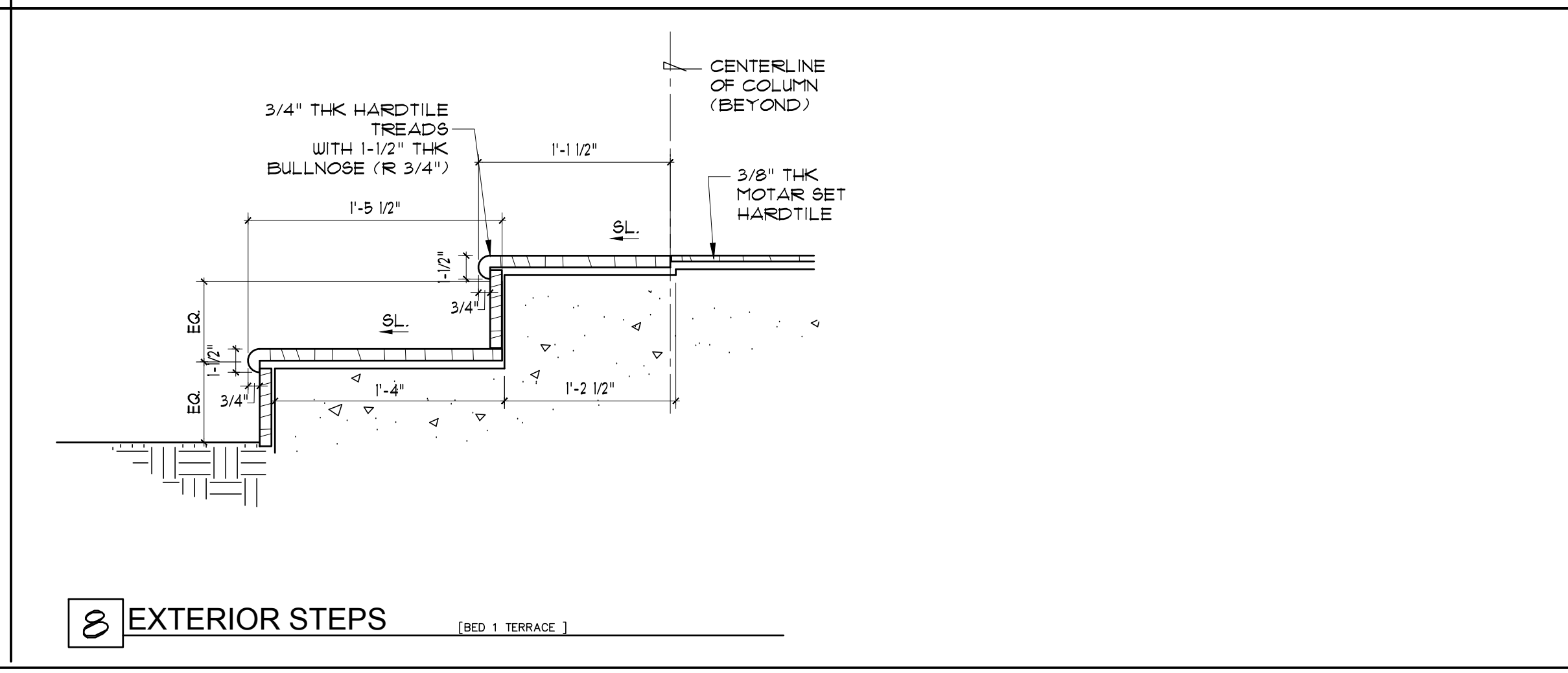
5 INTERIOR STEPS
SCALE: 1 1/2" = 1'-0"
[ENTRY FOYER]



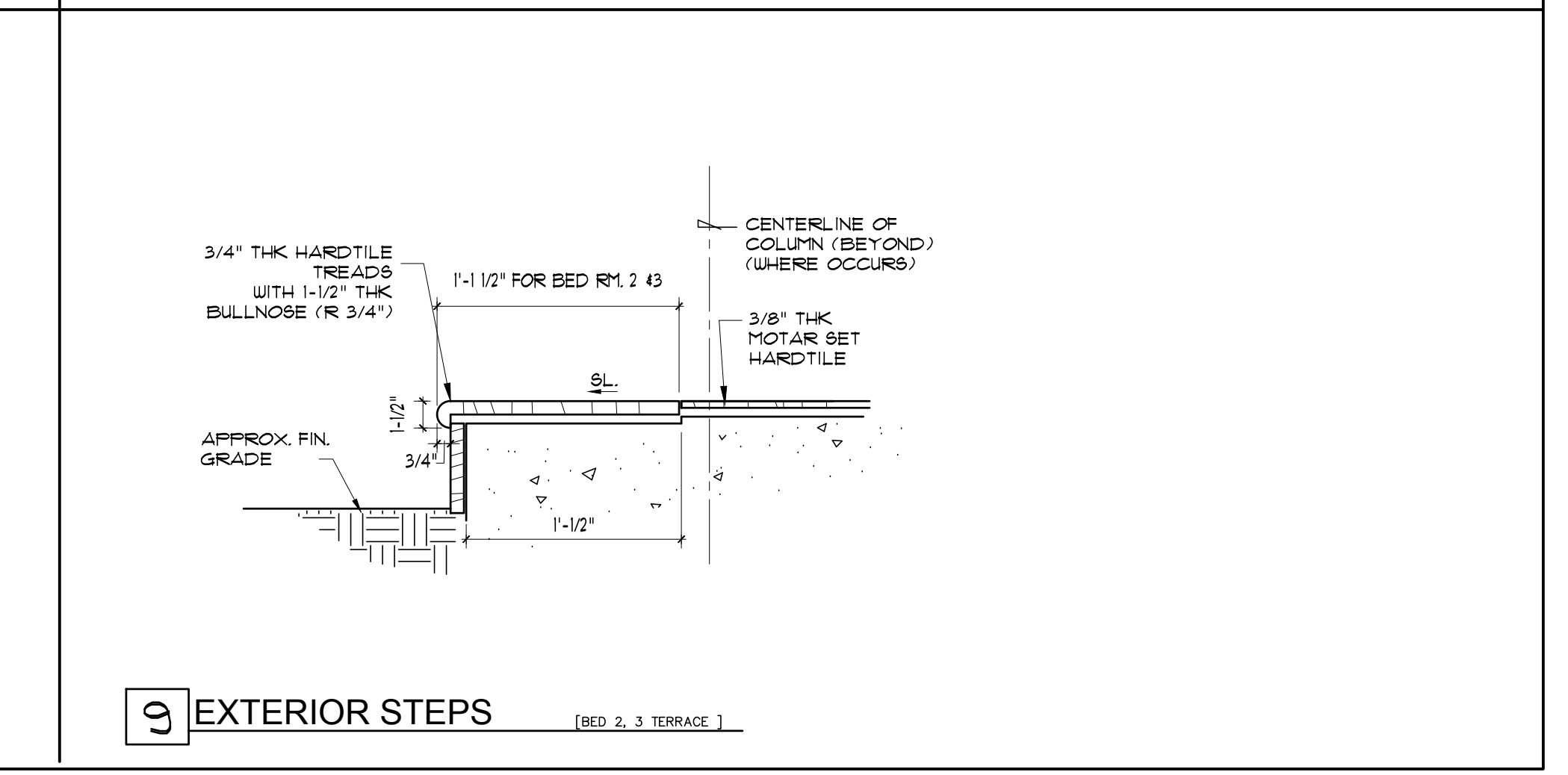
6 INTERIOR STEPS
SCALE: 1 1/2" = 1'-0"
[GALLERY, GARAGE]



7 EXTERIOR STEPS
SCALE: 1 1/2" = 1'-0"
[ENTRY PORCH, COVERED LANAI, W. BED TERRACE]



8 EXTERIOR STEPS
SCALE: 1 1/2" = 1'-0"
[BED 1 TERRACE]



9 EXTERIOR STEPS
SCALE: 1 1/2" = 1'-0"
[BED 2, 3 TERRACE]

636 Lumbika St.
Honolulu, HI 96819
Tel. 808-842-9929
Web: nanahawaii.com

Nan Inc

Kapalua Mauka Mahana Estates - Model A1

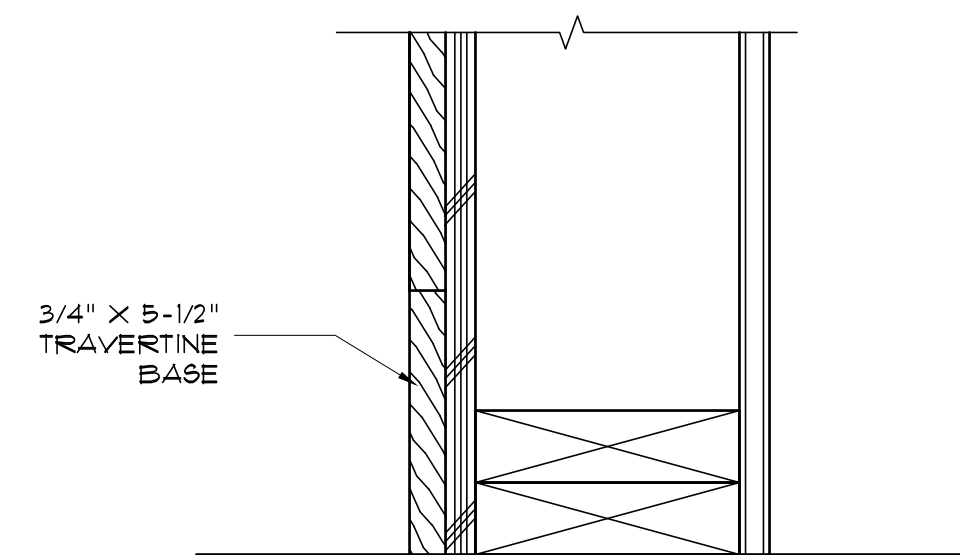
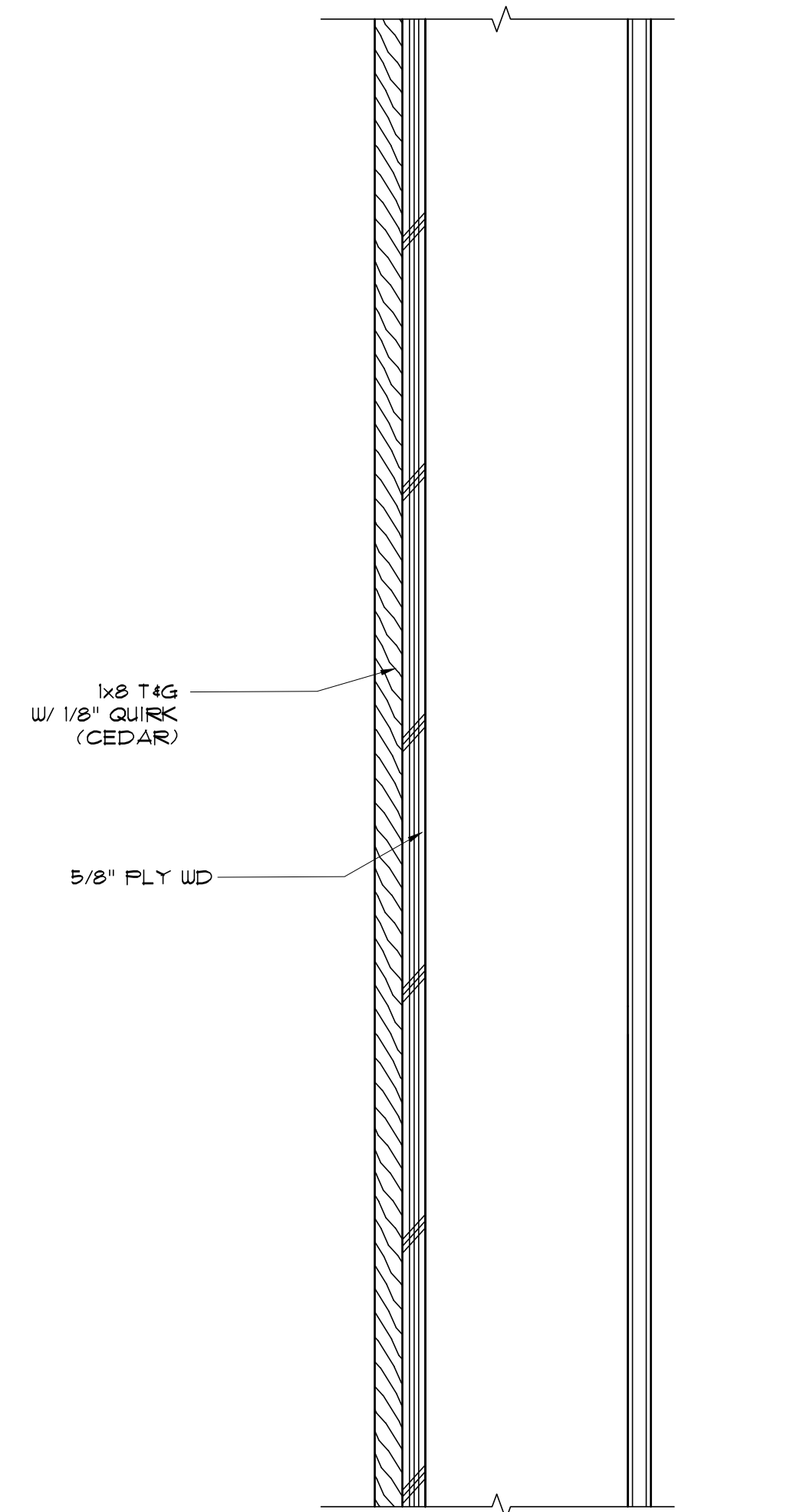
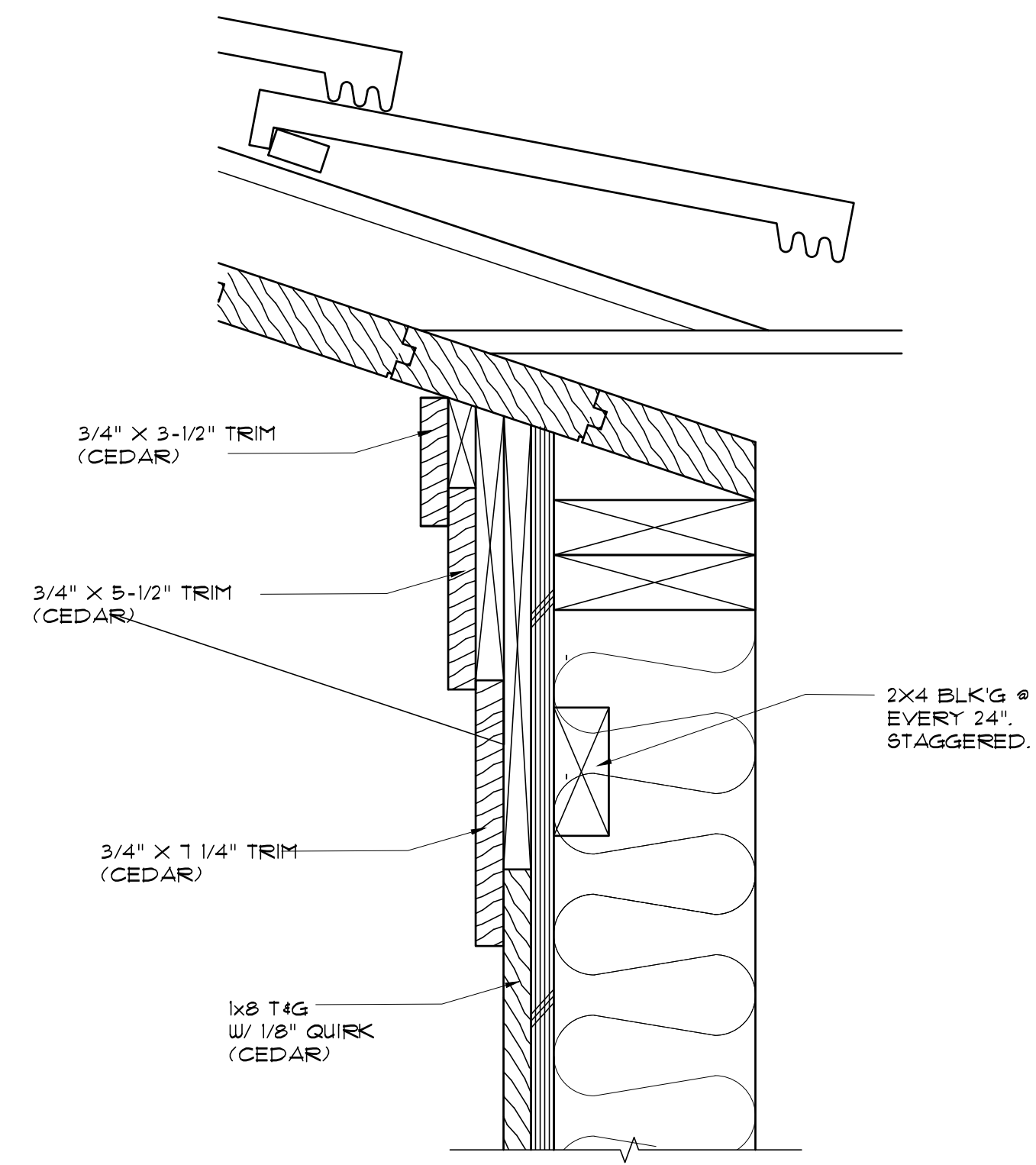
Kapalua, Maui, Hawaii
MISCELLANEOUS DETAILS

REVISIONS:
01/15/2014
02/02/2014
02/02/2014
03/15/2014

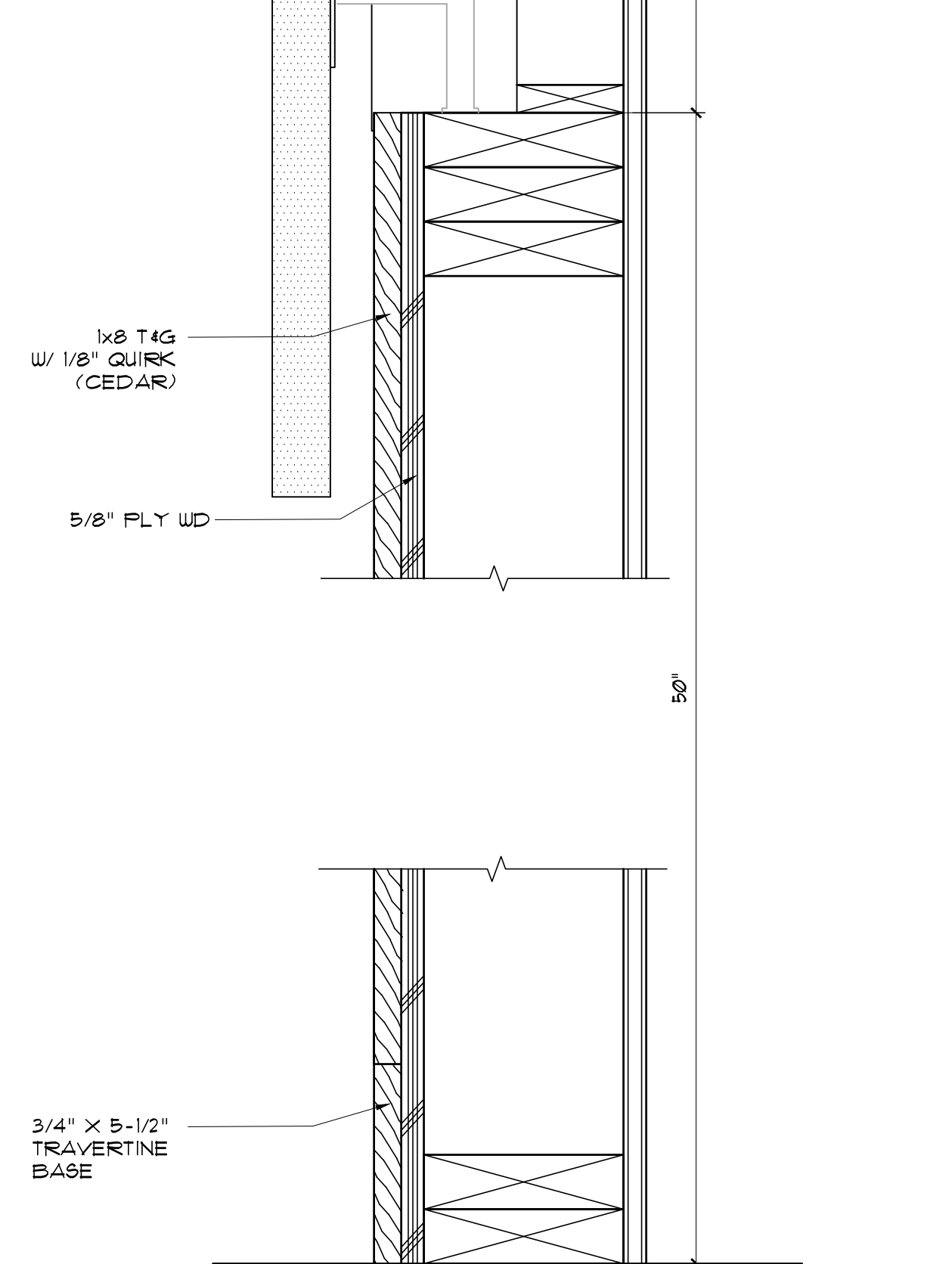
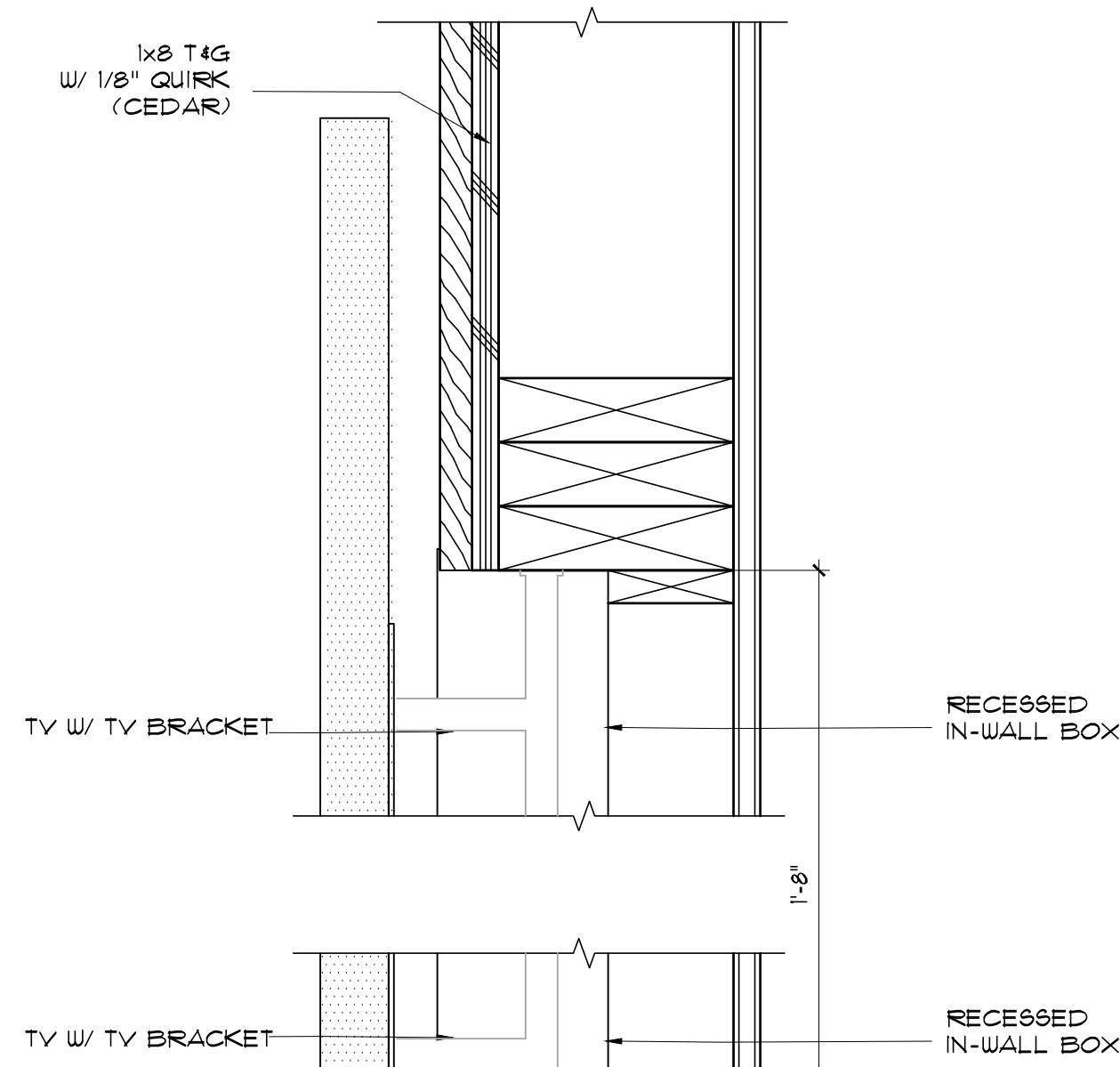
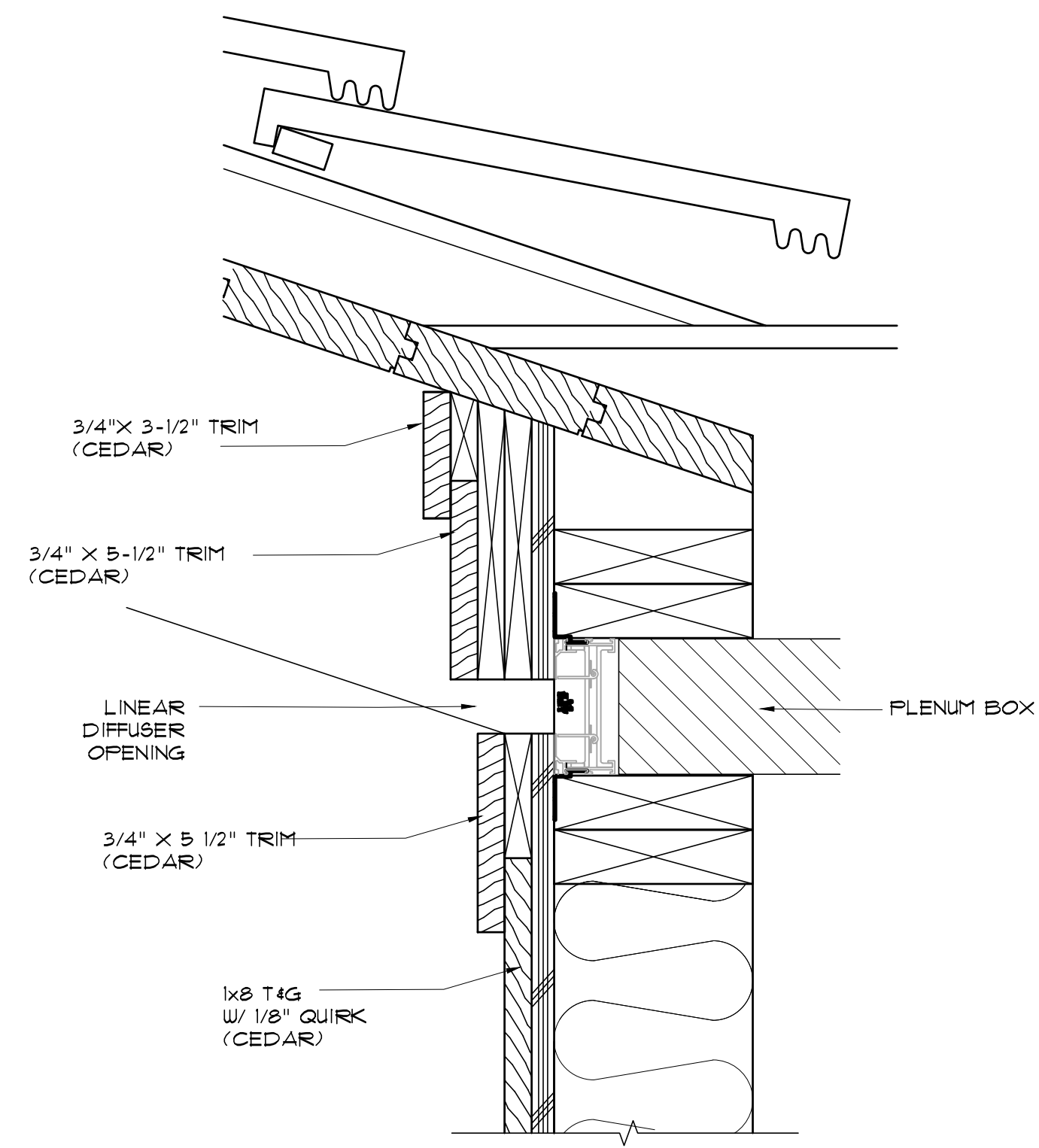
SHEET - OF -

A-9.12

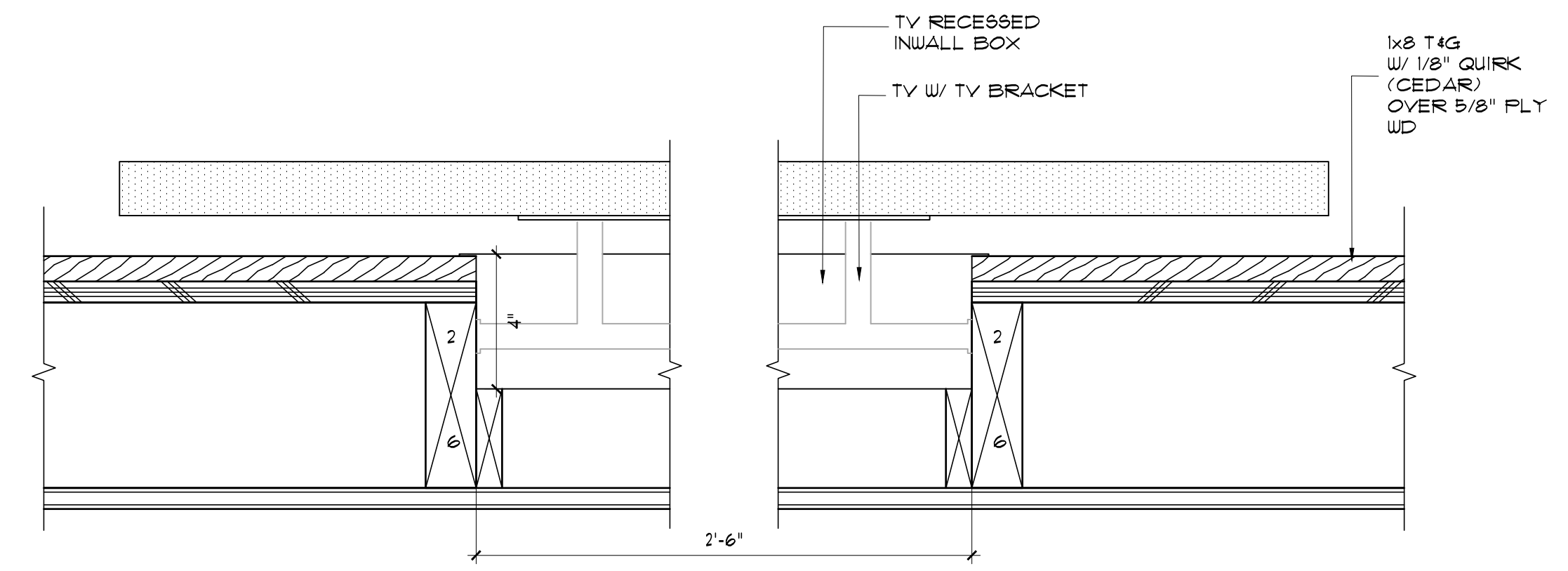
DATE: -



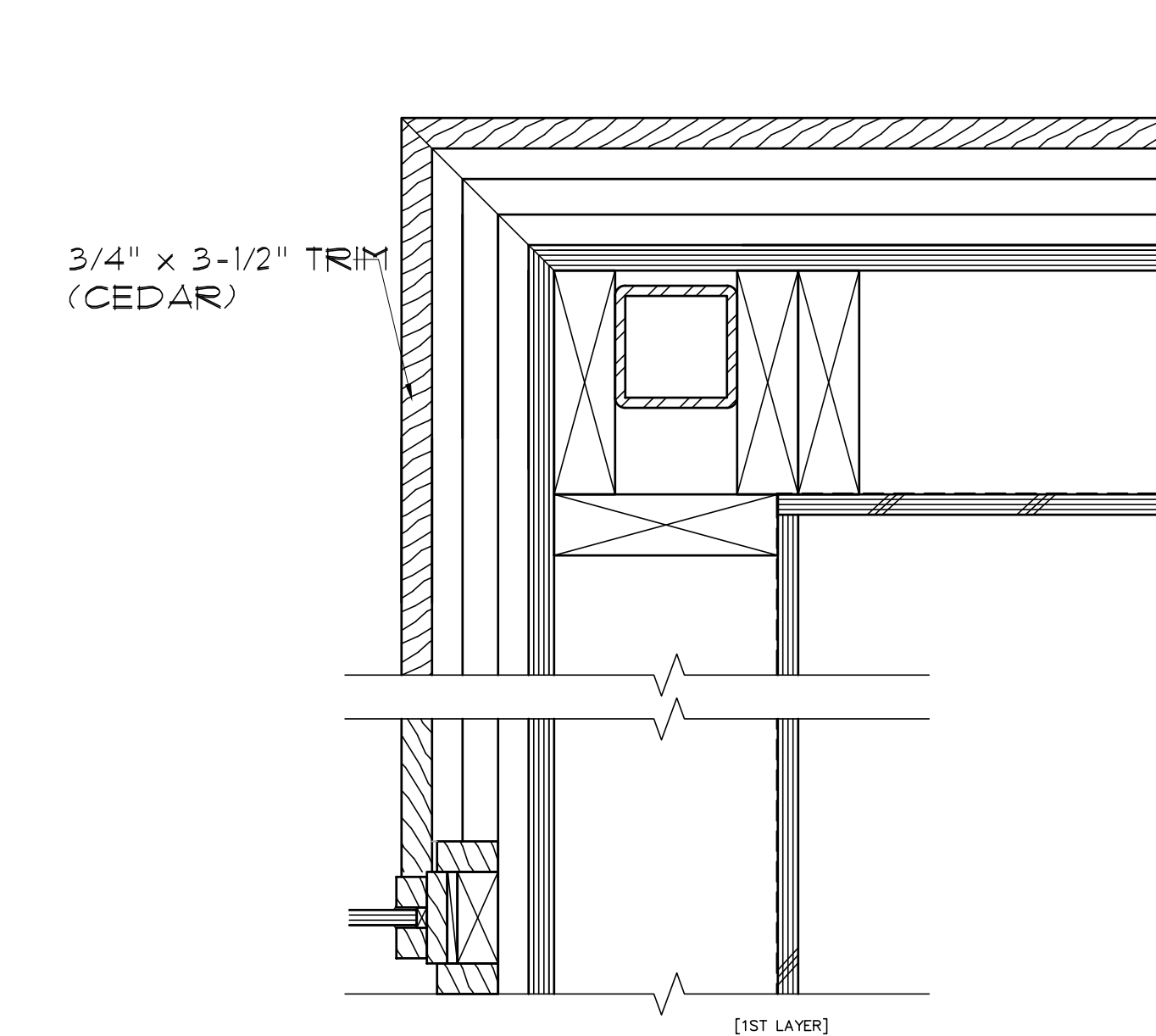
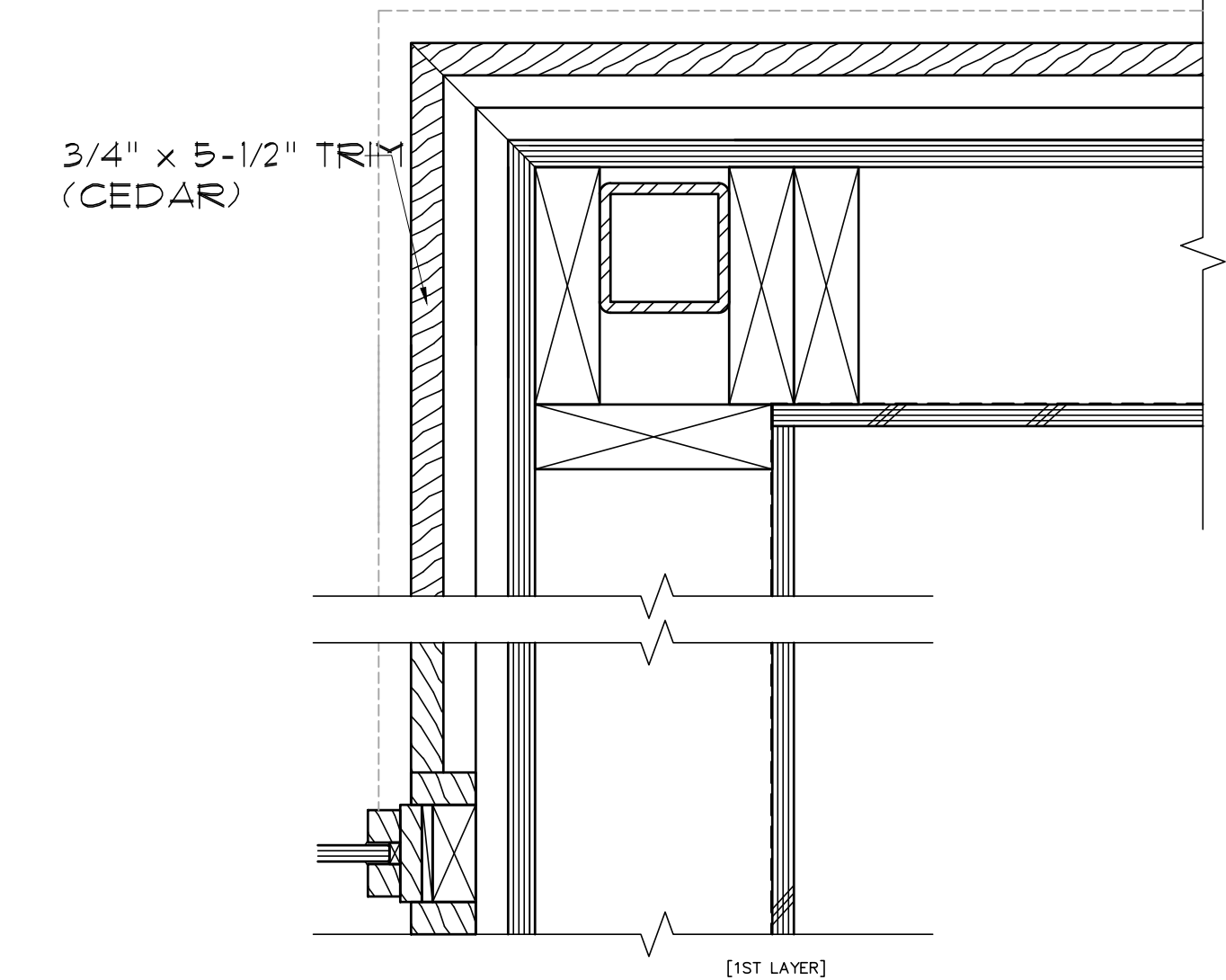
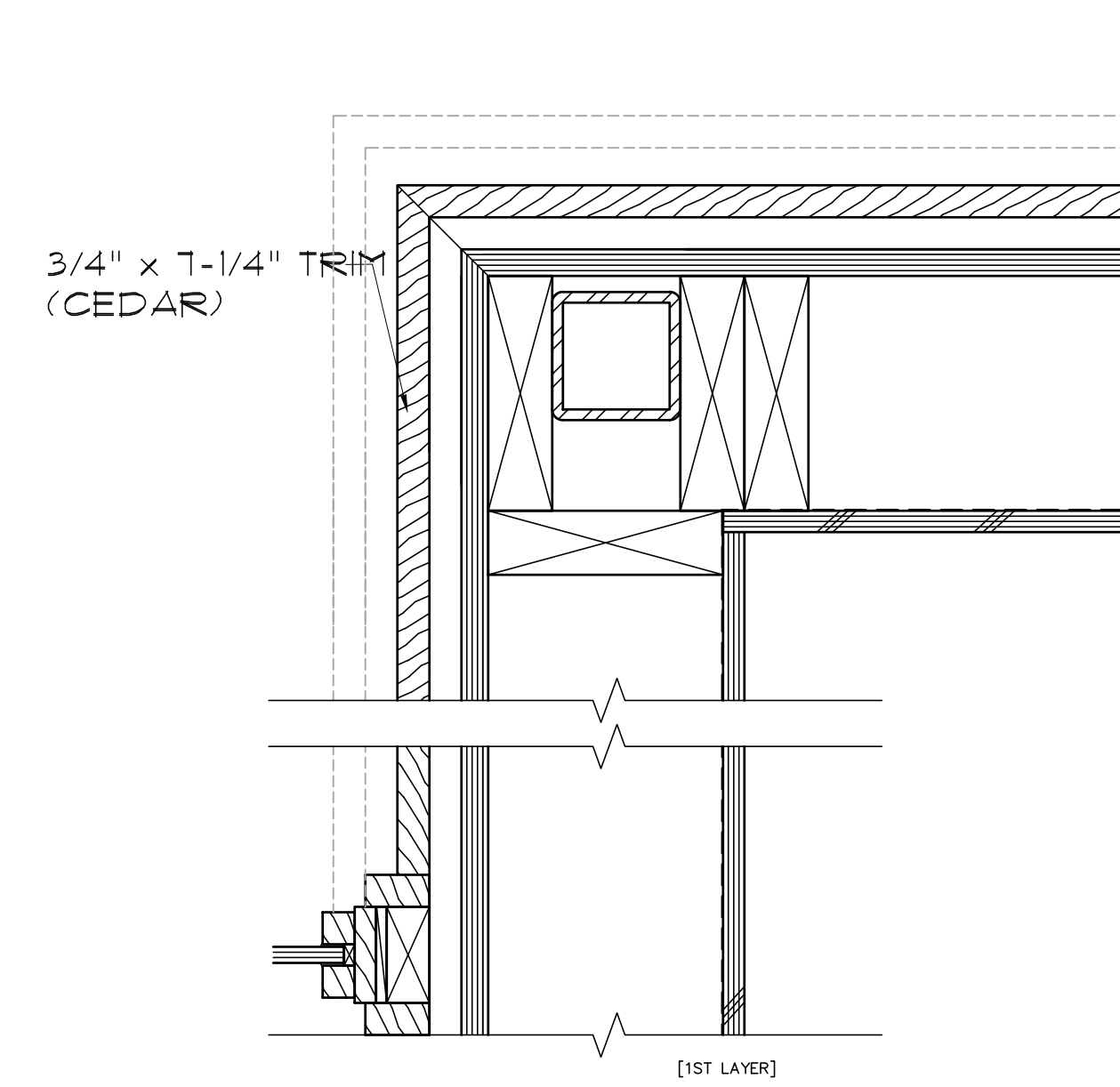
1 GREAT ROOM T&G WALL
SCALE: 3/4" = 1'-0"



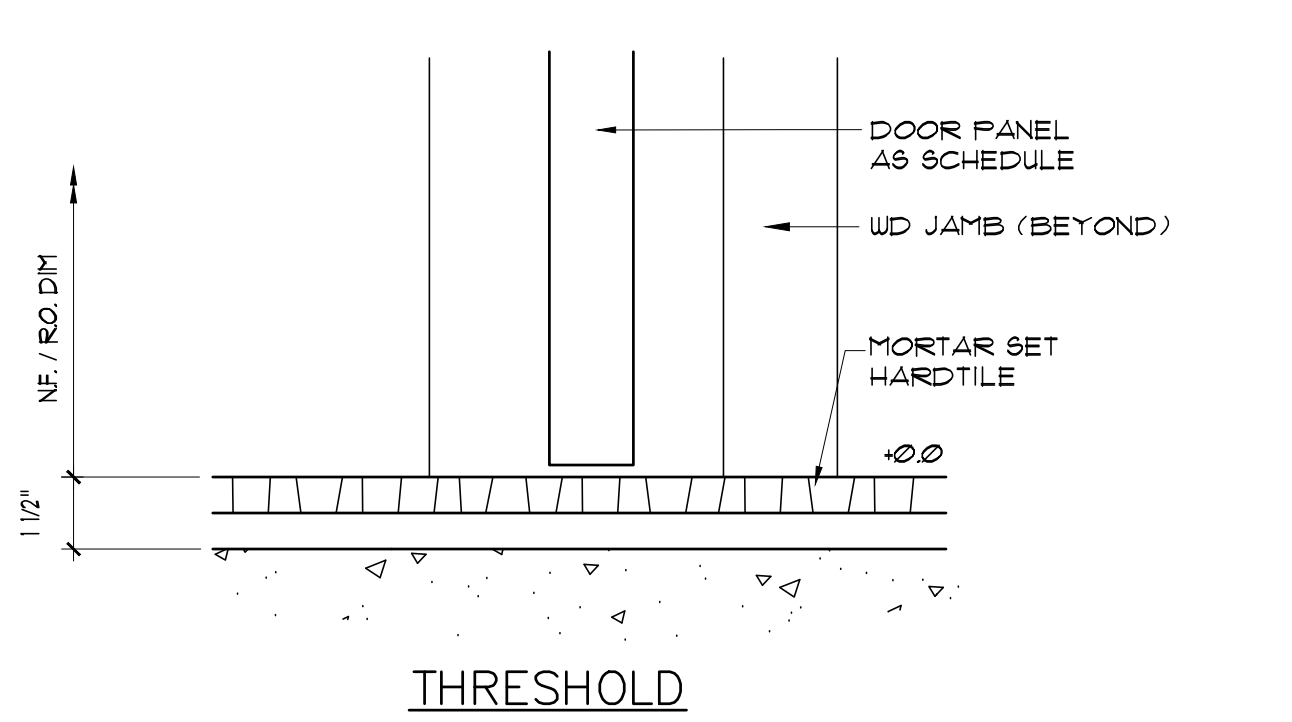
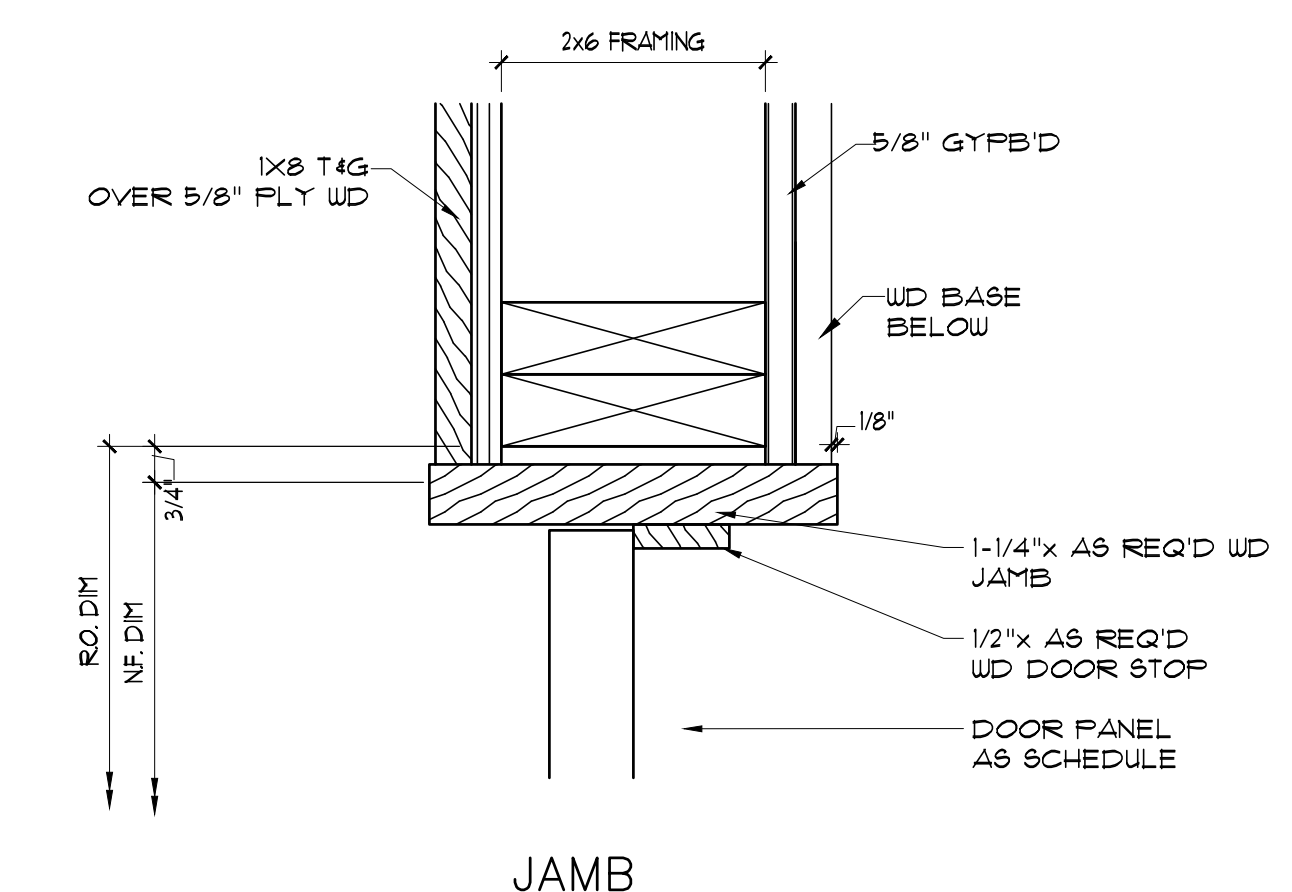
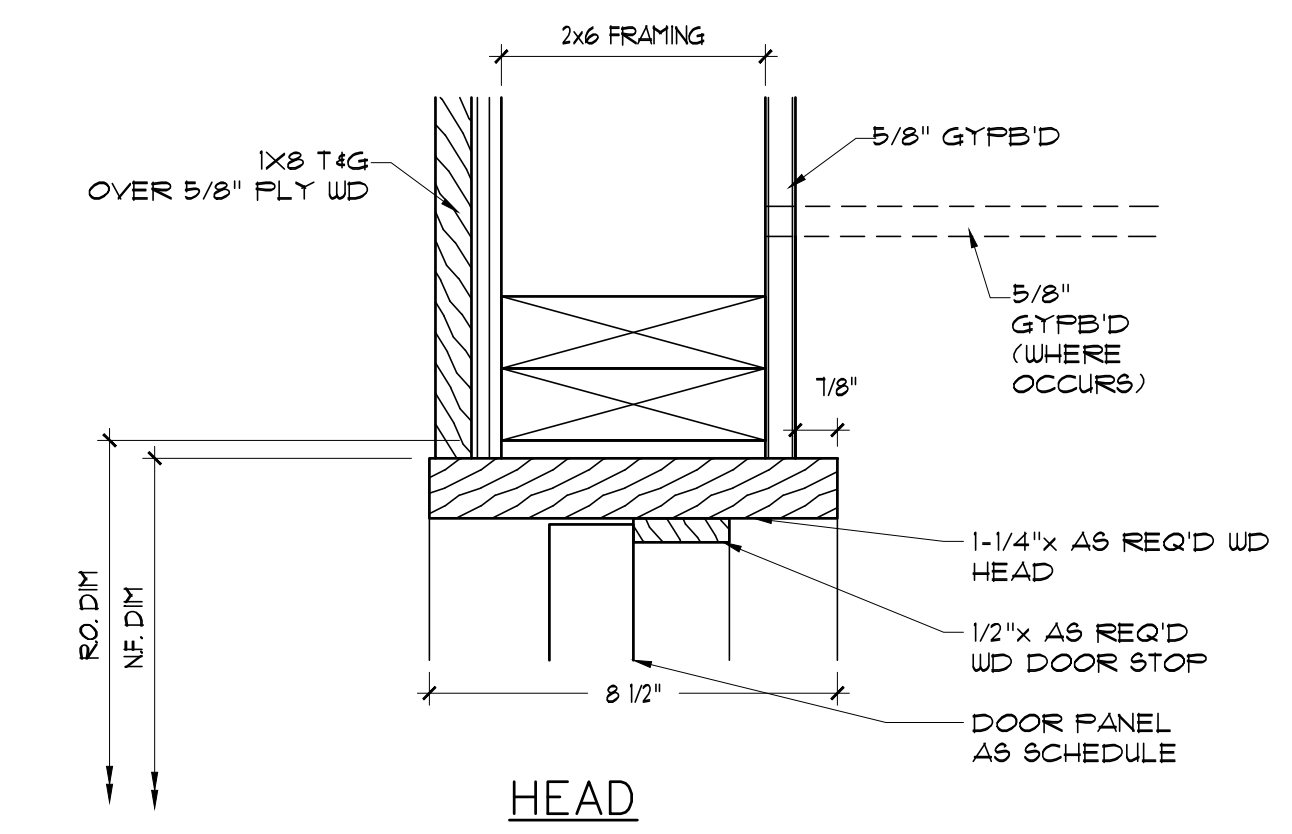
2 GREAT ROOM T&G WALL - RECESSED TV
SCALE: 3/4" = 1'-0"



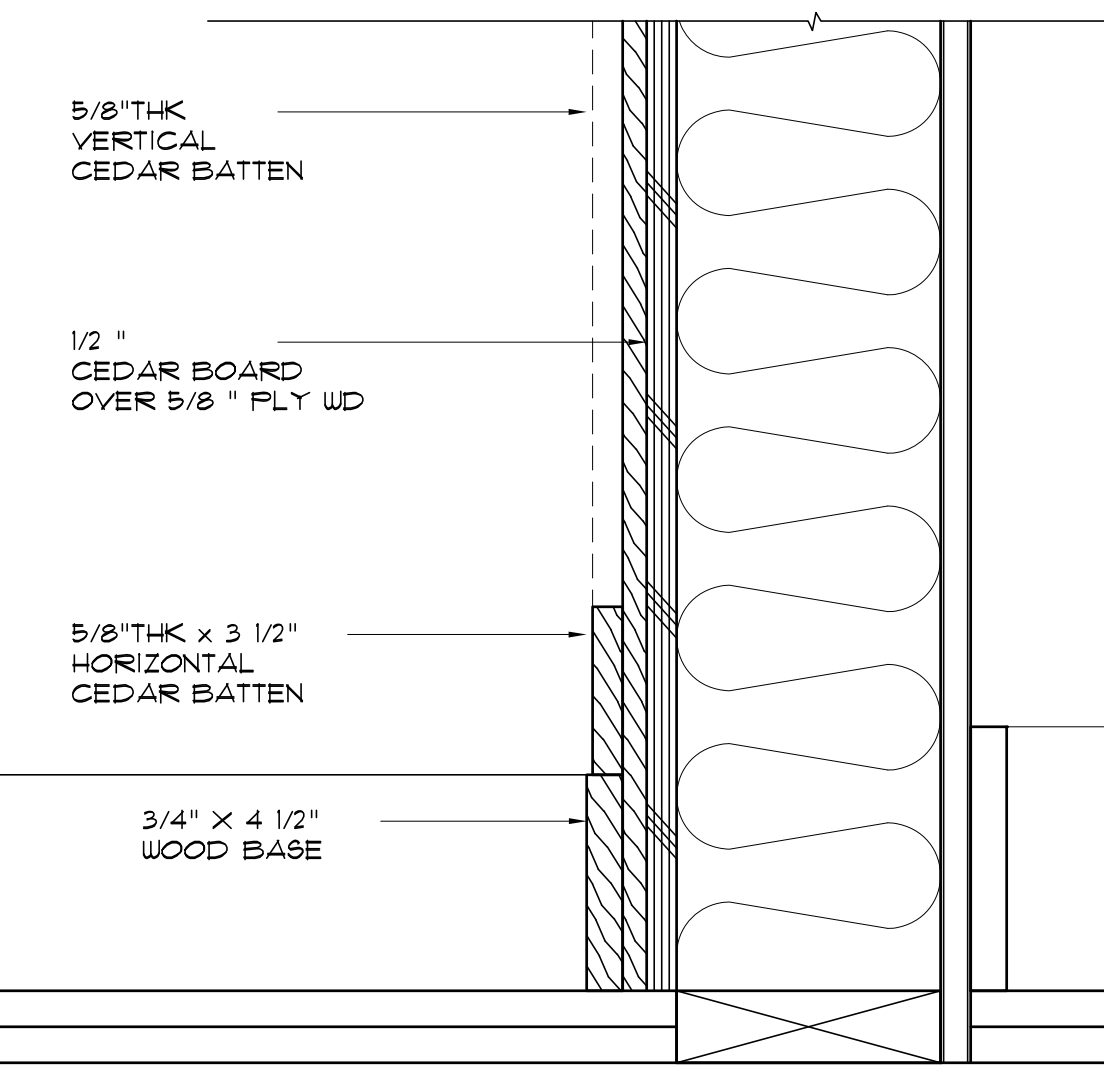
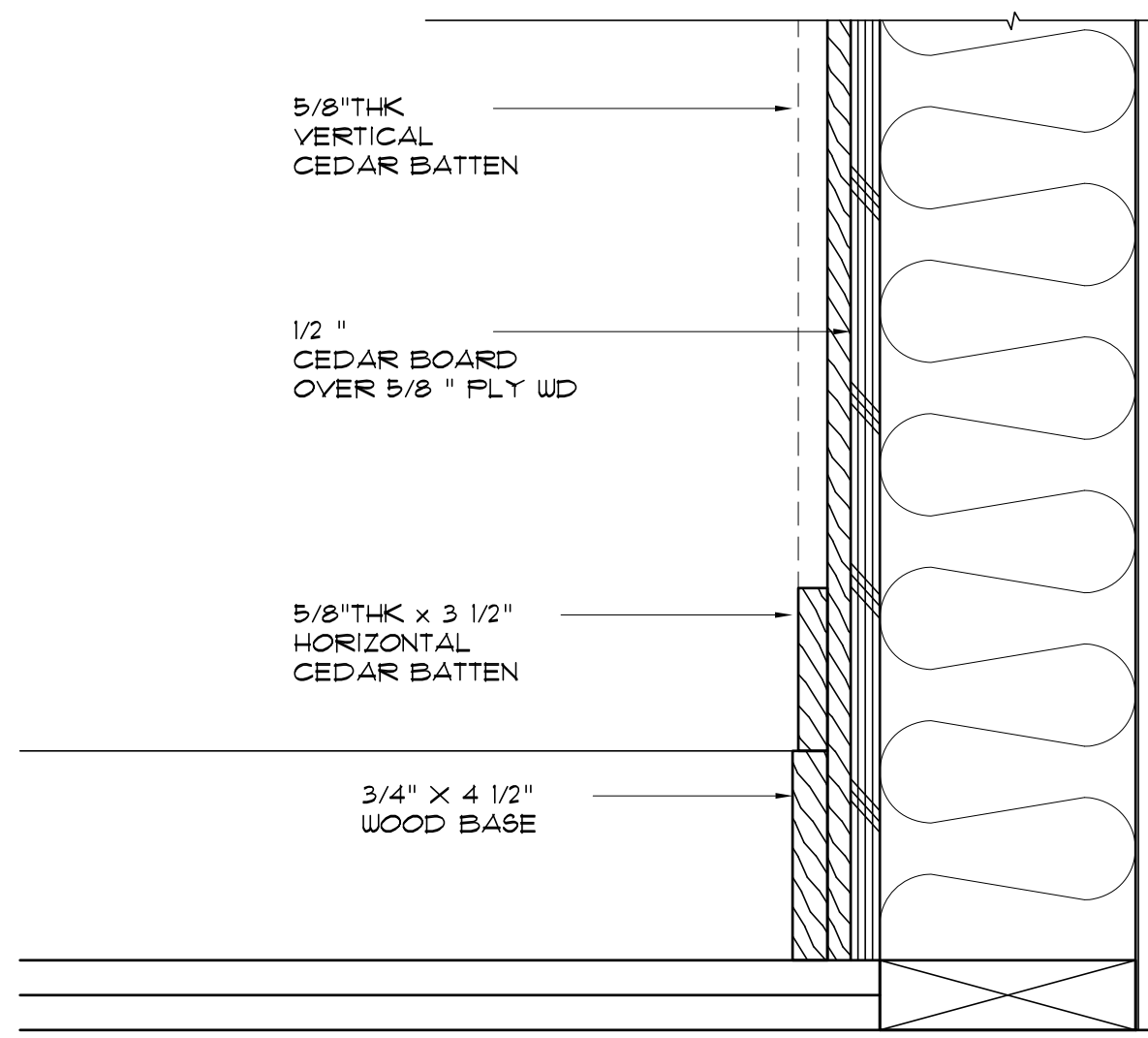
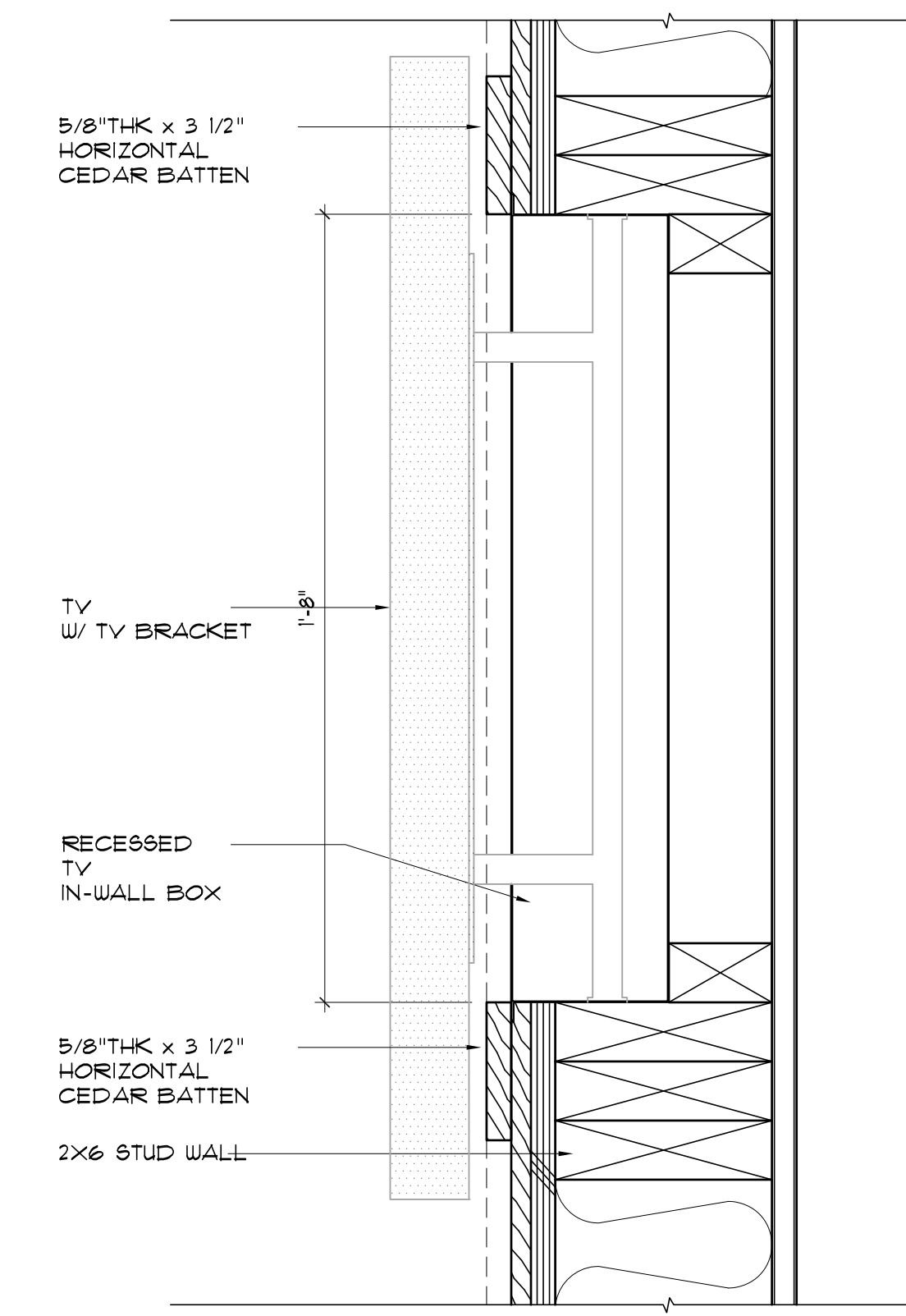
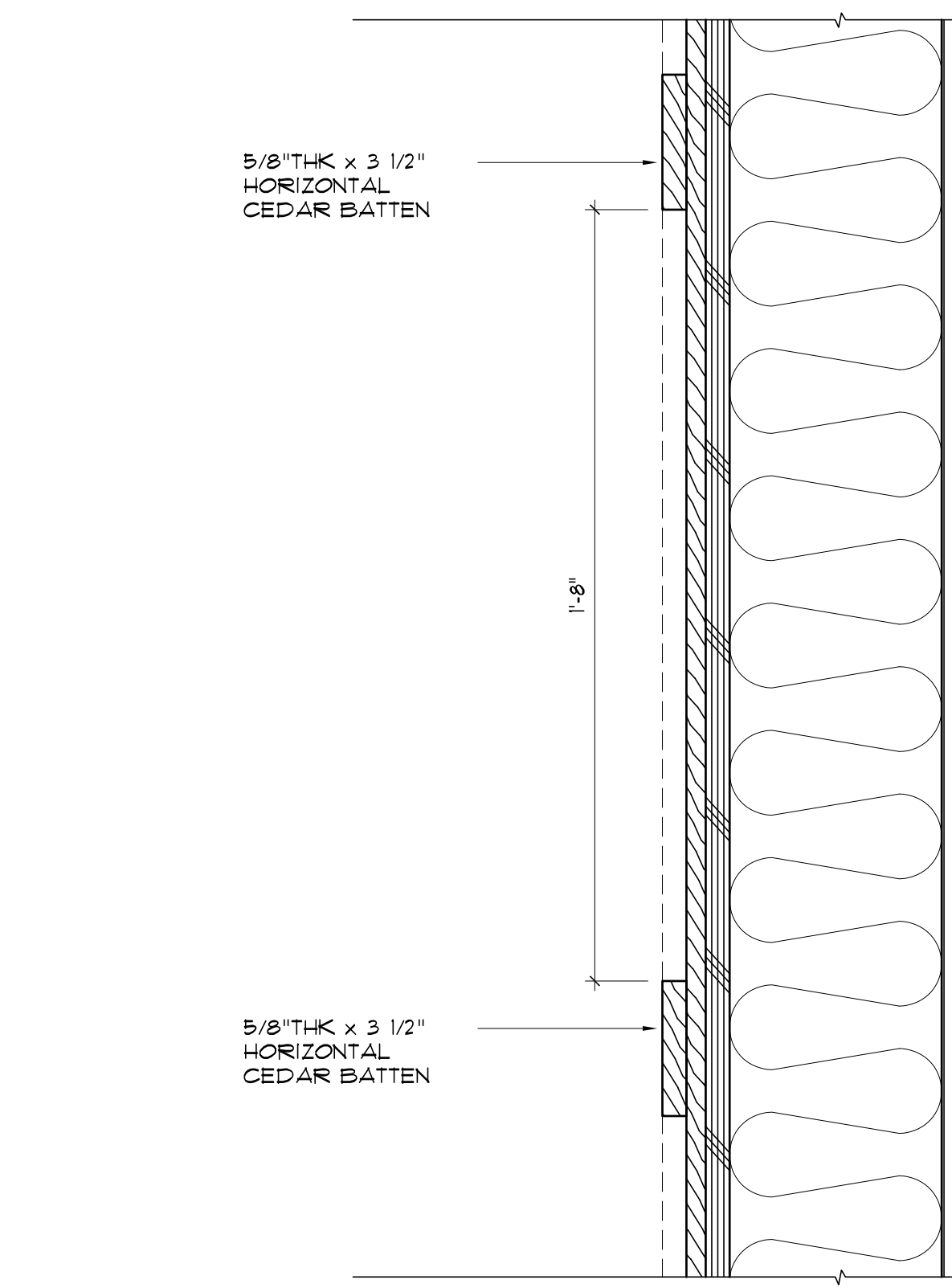
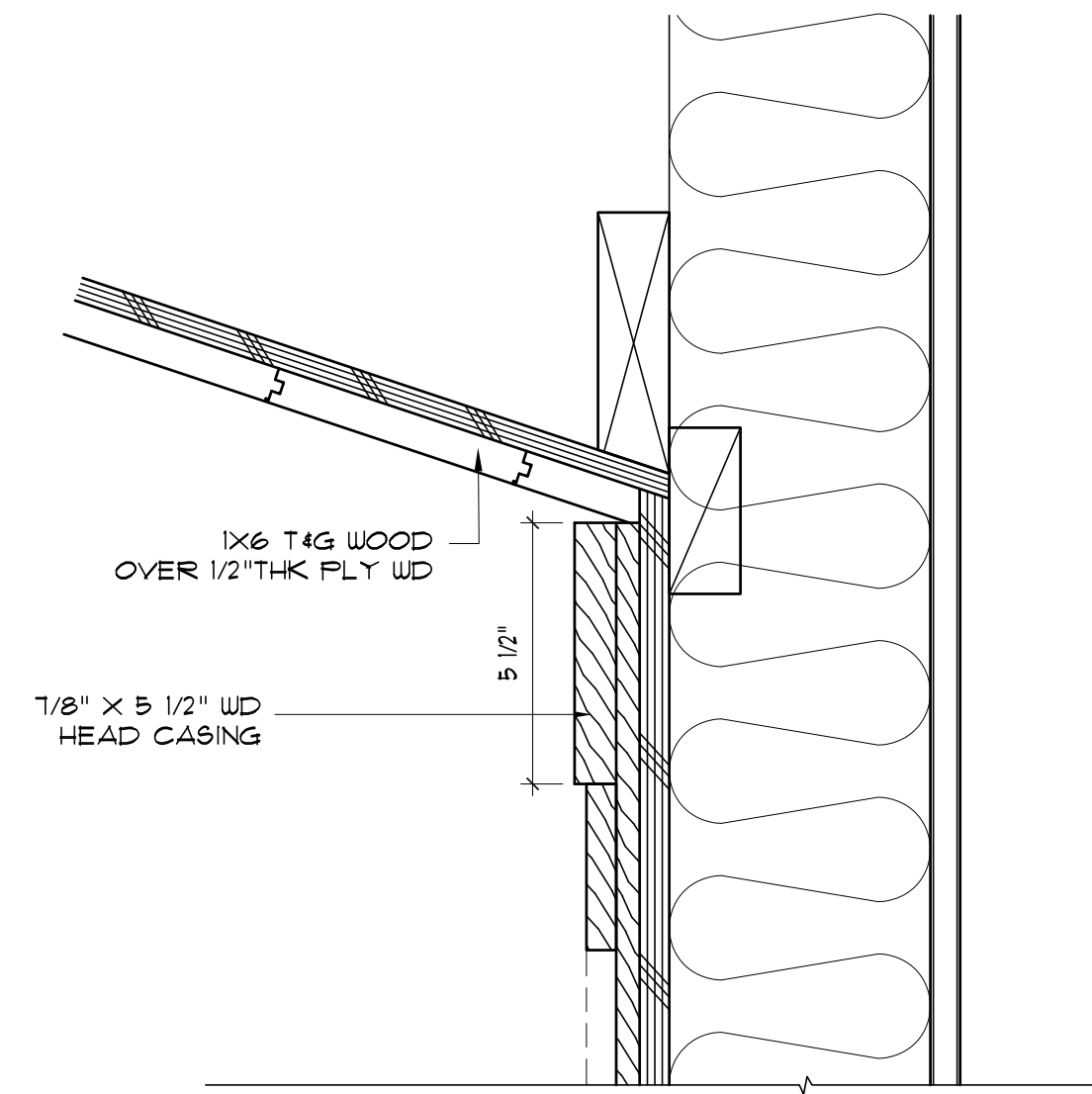
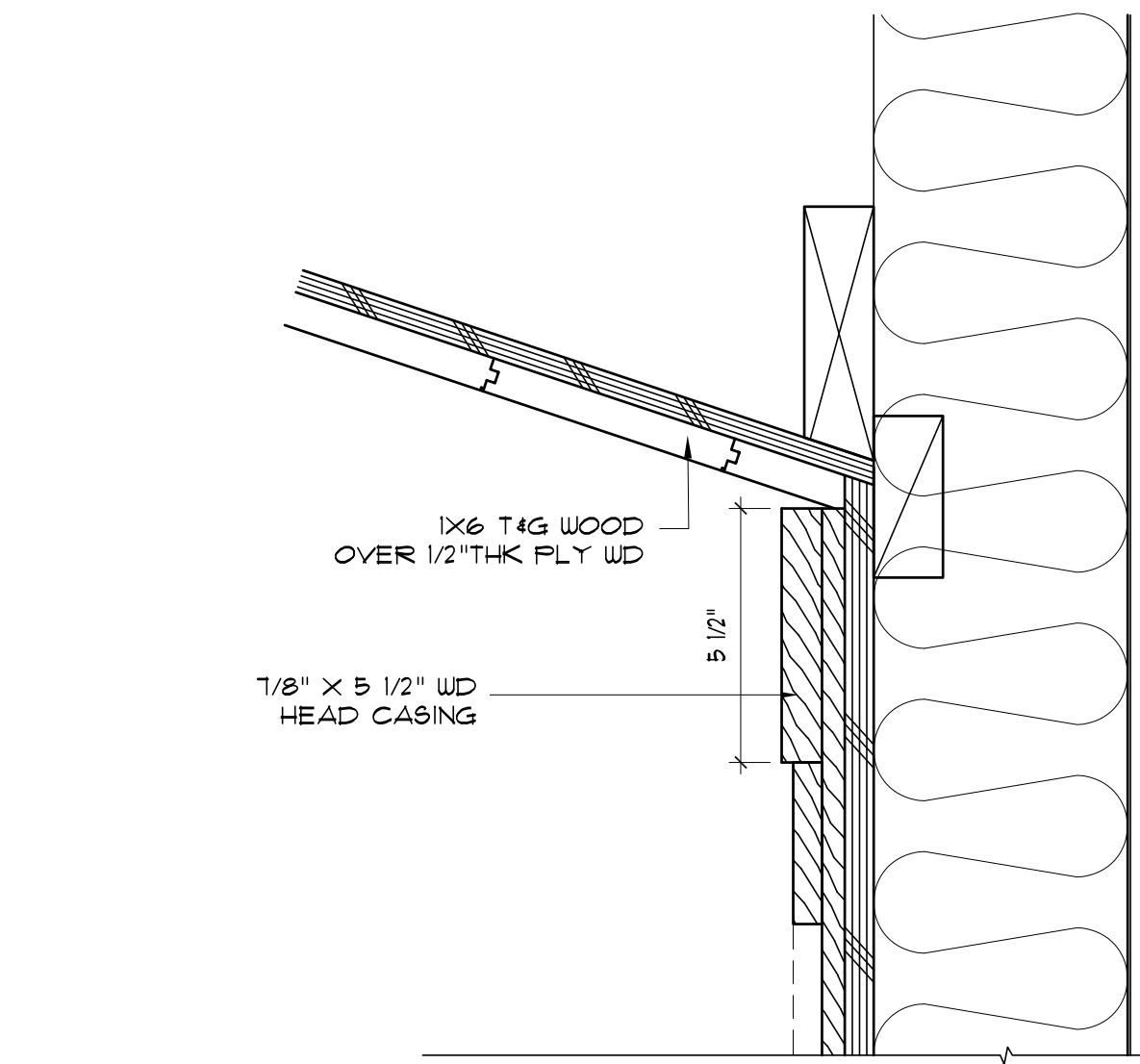
3 GREAT ROOM T&G WALL - RECESSED TV
SCALE: 3/4" = 1'-0"



4 GREAT ROOM T&G WALL - TOP TRIMS
SCALE: 3/4" = 1'-0"

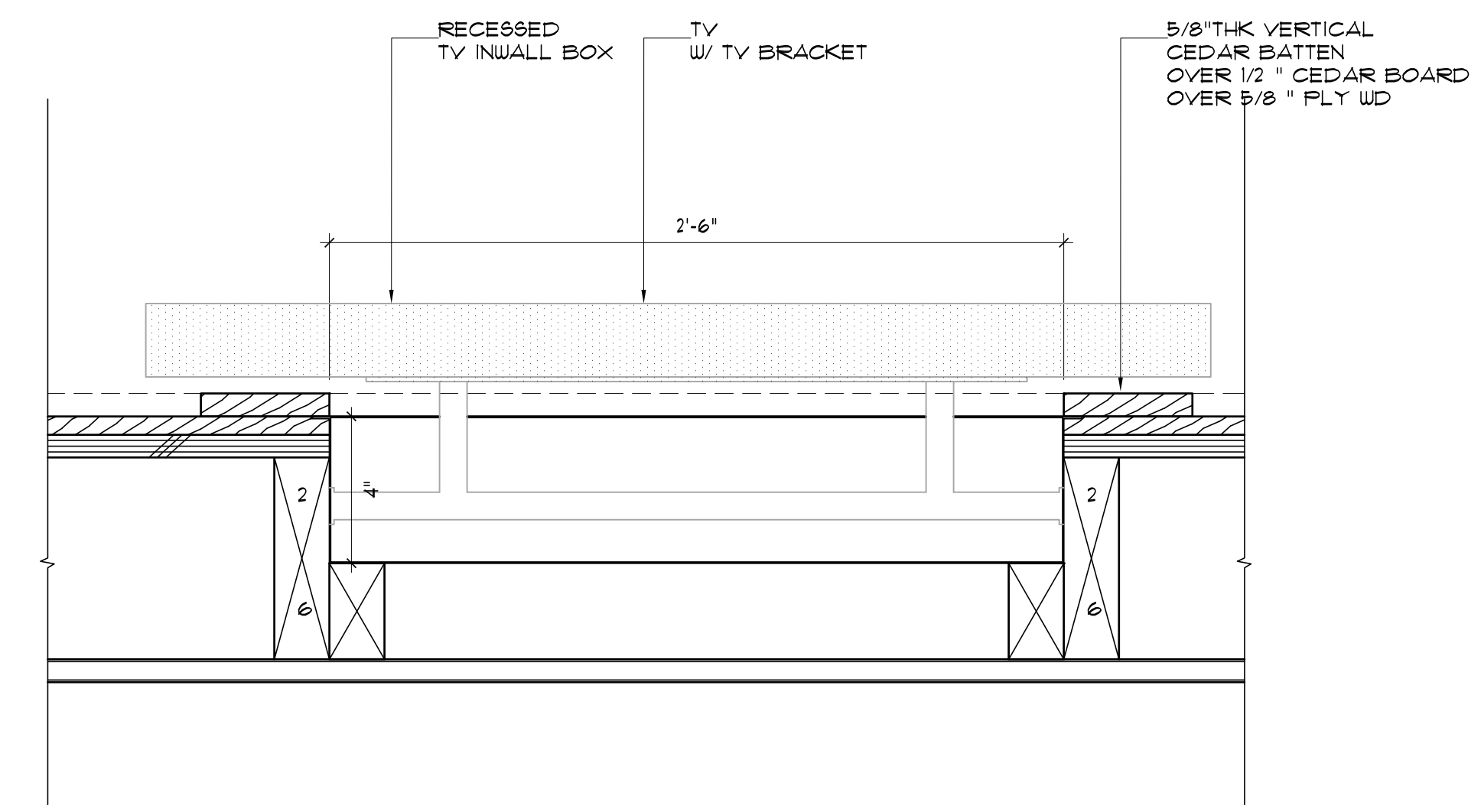


5 GREAT ROOM T&G WALL - DOOR 19
SCALE: 3/4" = 1'-0"

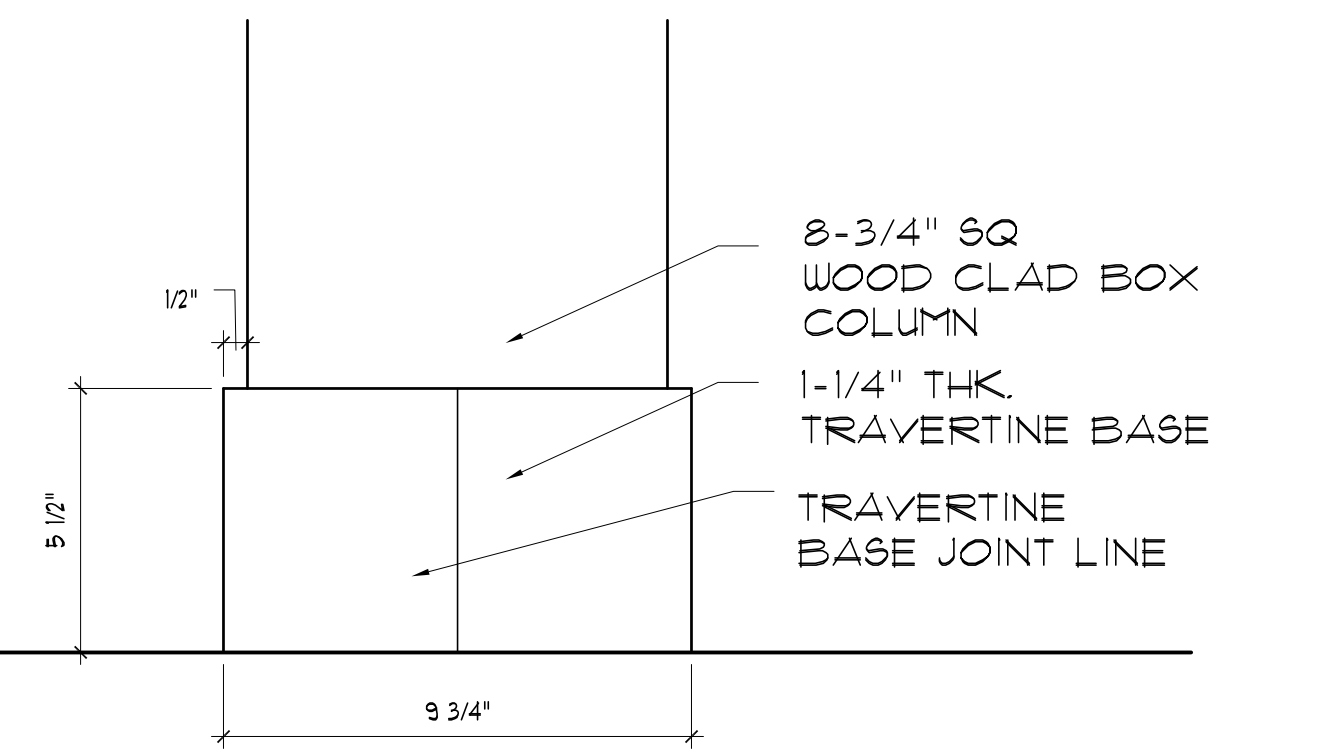


1 MASTER BEDROOM BOARD AND BATTEN WALL
SCALE: 3/4" = 1'-0"

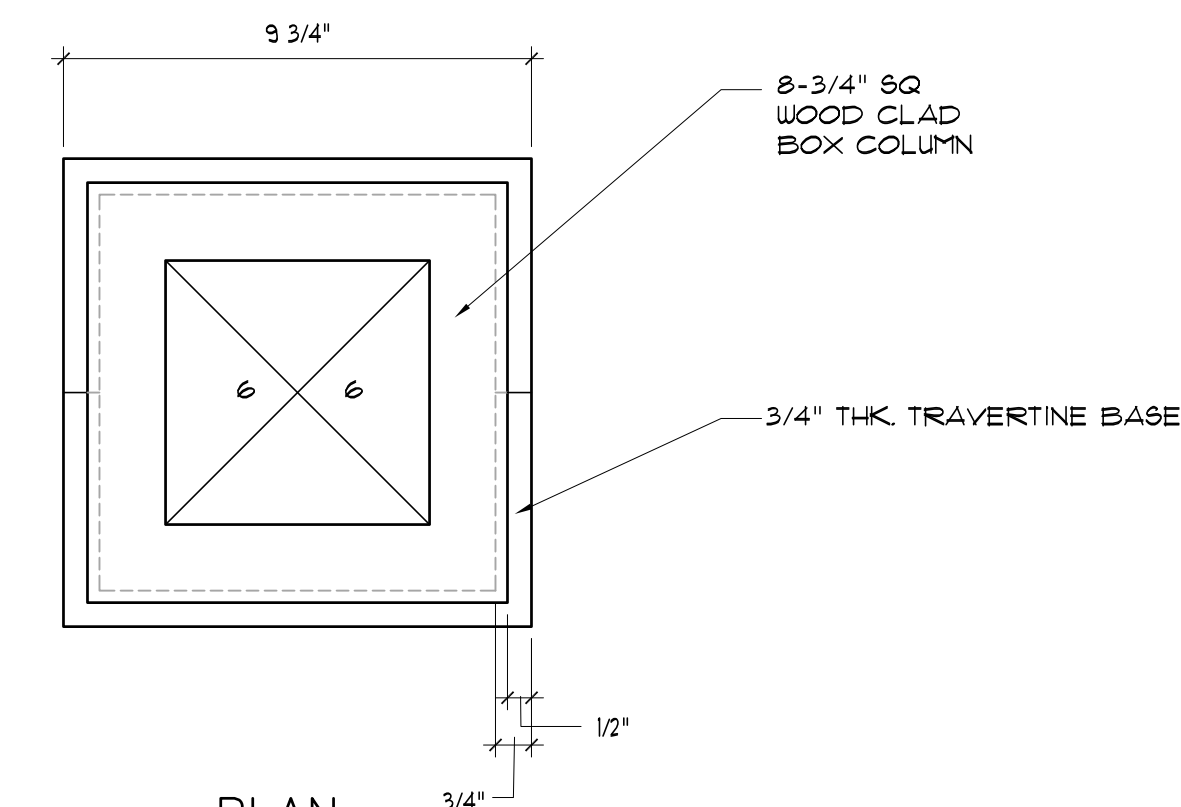
2 MASTER BEDROOM BOARD AND BATTEN WALL W/ TV
SCALE: 3/4" = 1'-0"



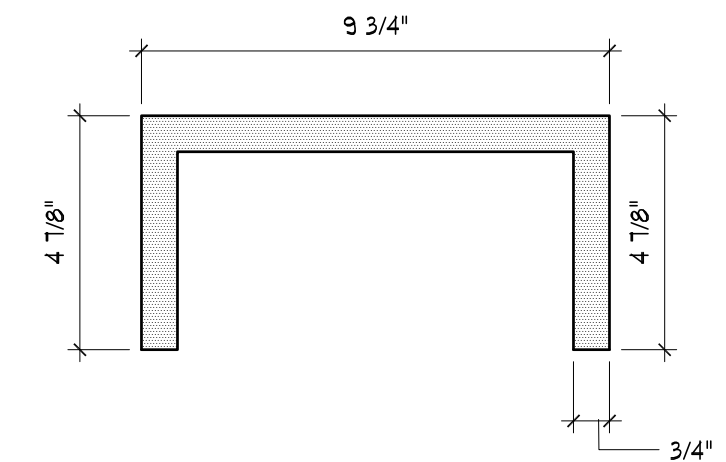
3 MASTER BEDROOM BOARD AND BATTEN WALL W/ TV
SCALE: 3/4" = 1'-0"



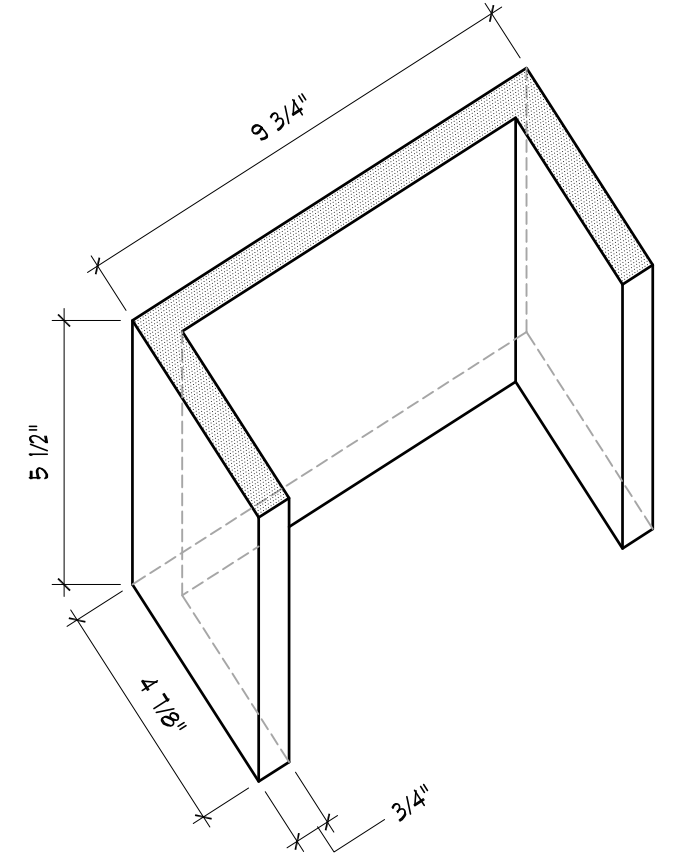
ELEVATION



PLAN

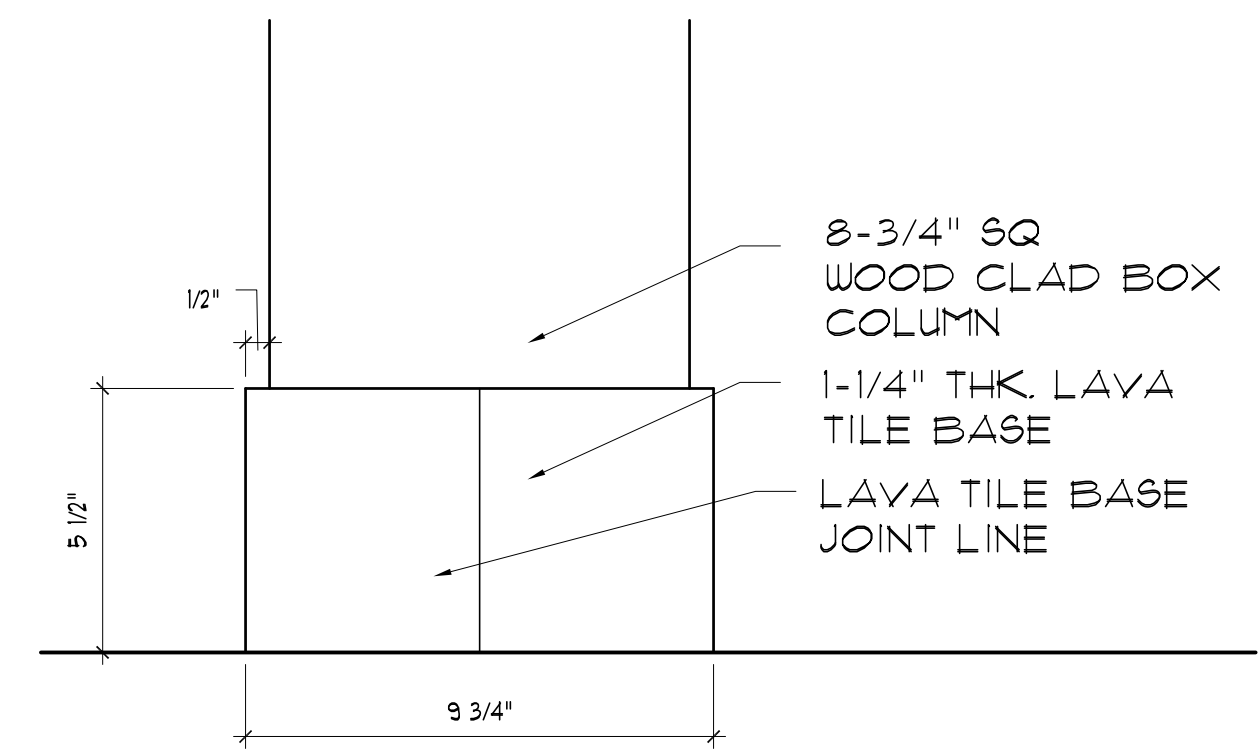


TILE PLAN

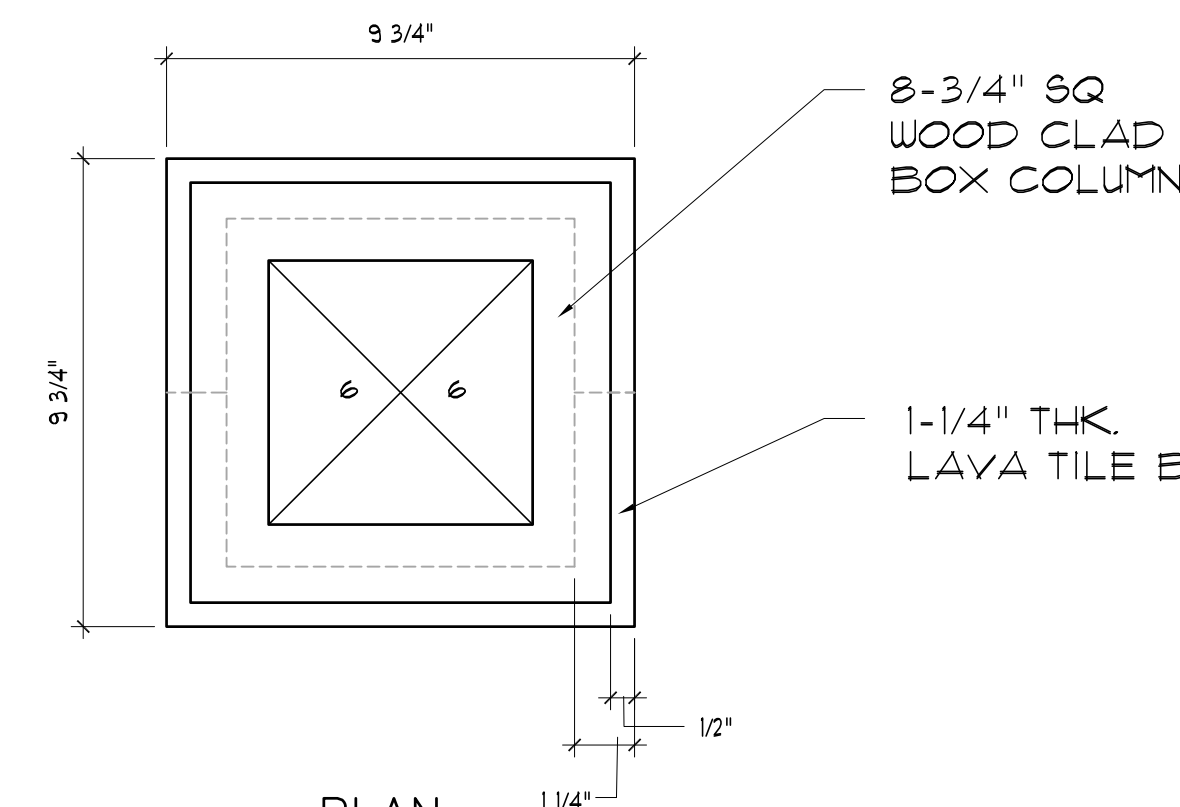


TILE 3D

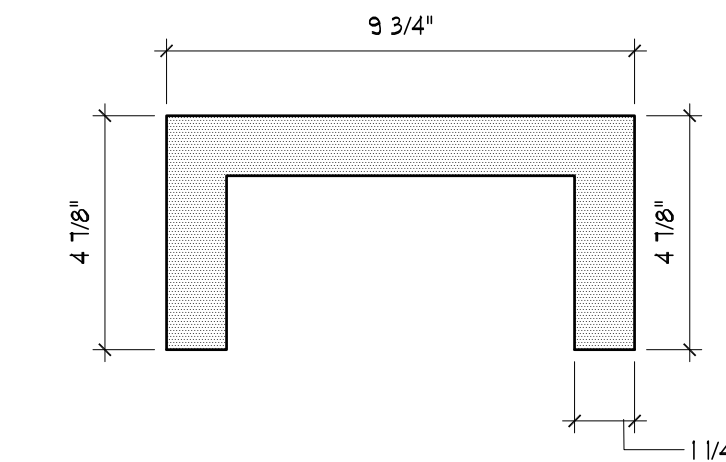
4 SQ COLUMN HARDTILE BASE - 8 3/4" (MASTER BED, BED1 TERRACE)
SCALE: 3/4" = 1'-0"



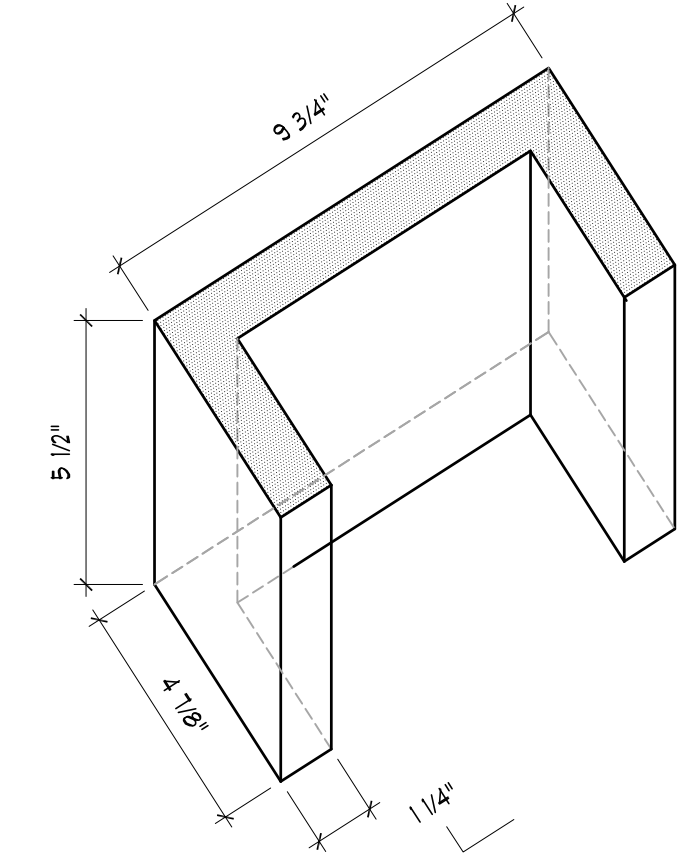
ELEVATION



PLAN

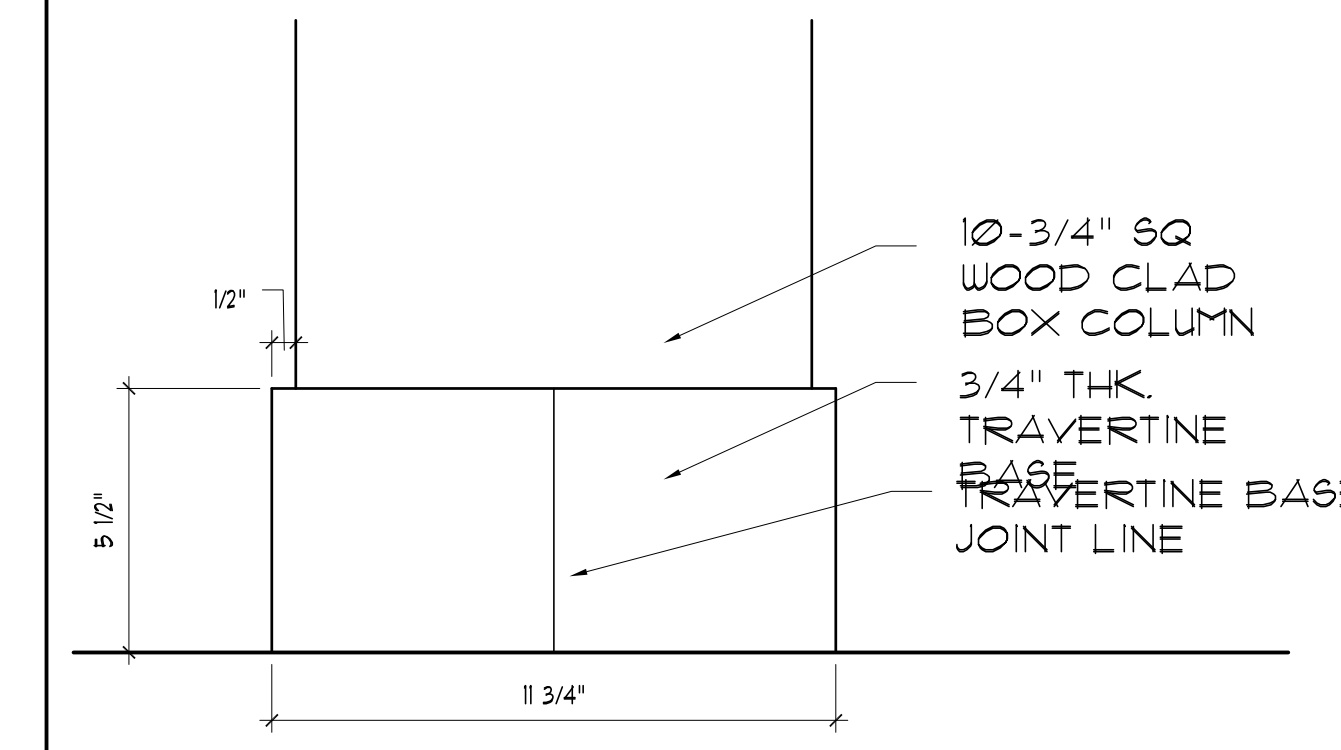


TILE PLAN

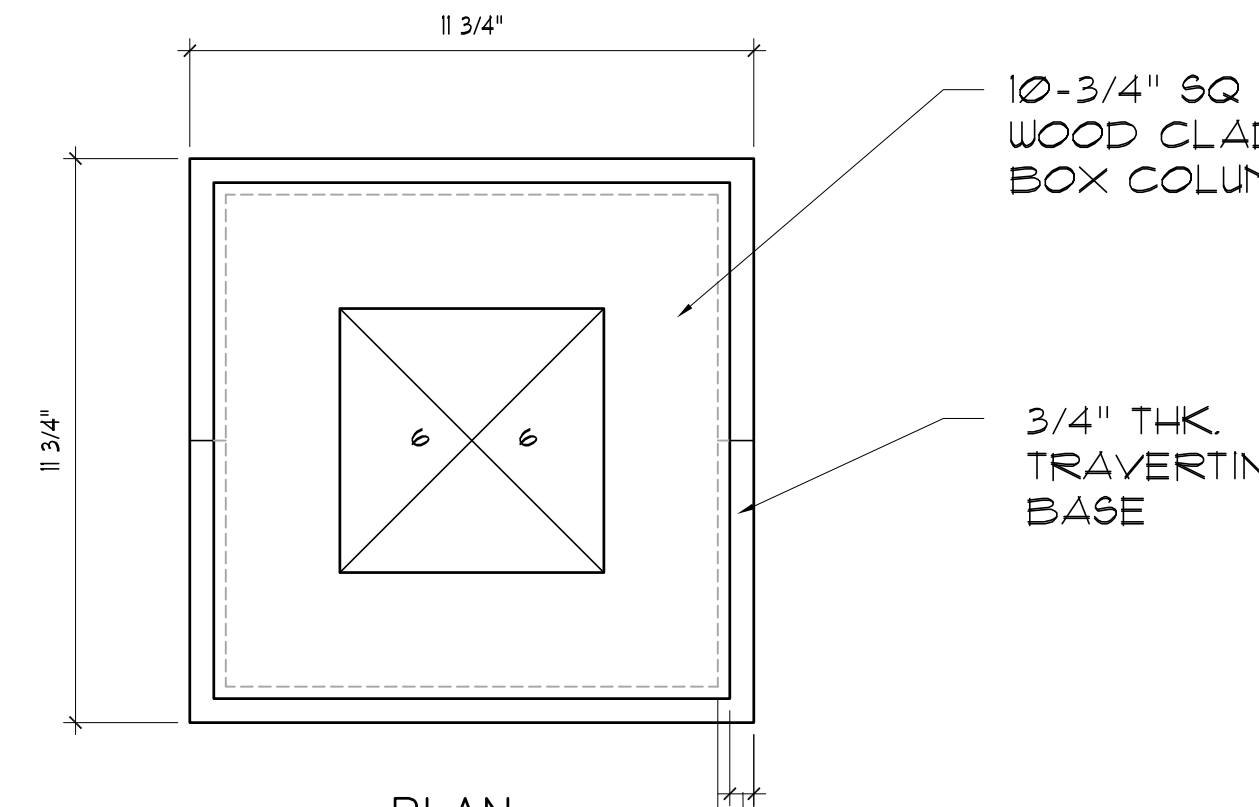


TILE 3D

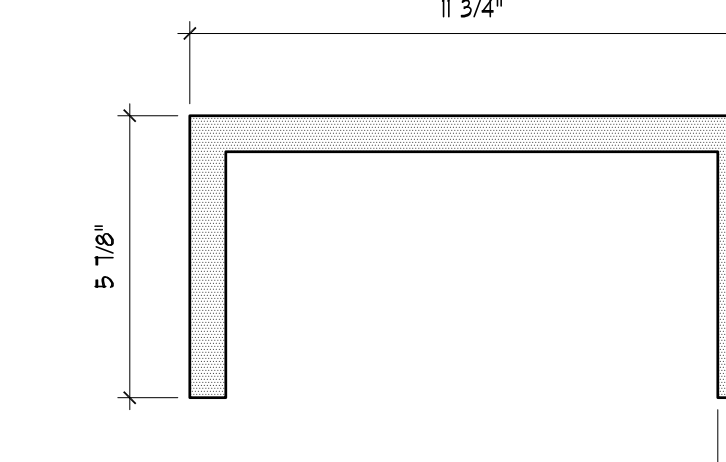
5 SQ COLUMN HARDTILE BASE - 8 3/4" (BBQ PAVILION)
SCALE: 3/4" = 1'-0"



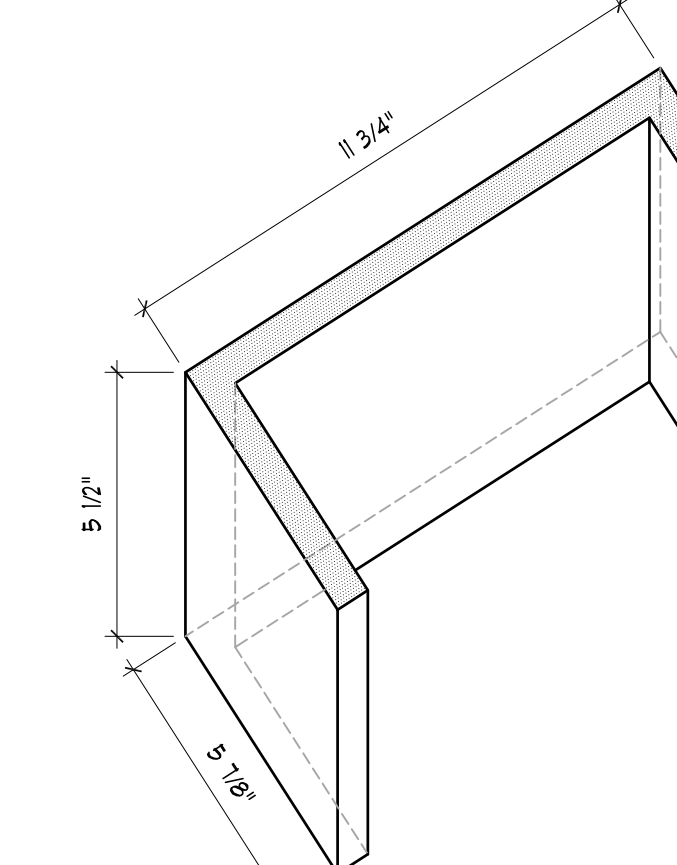
ELEVATION



PLAN

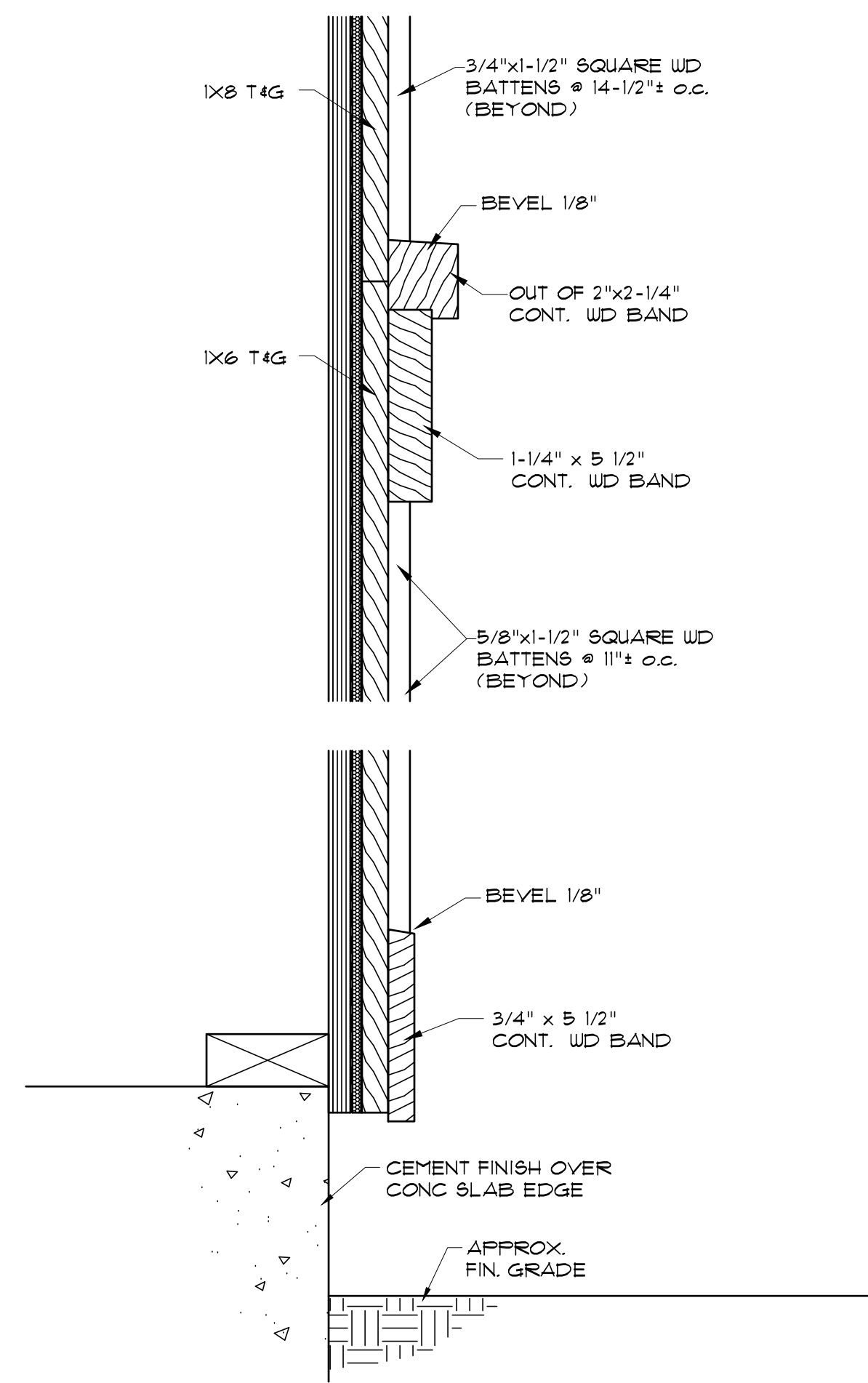


TILE PLAN

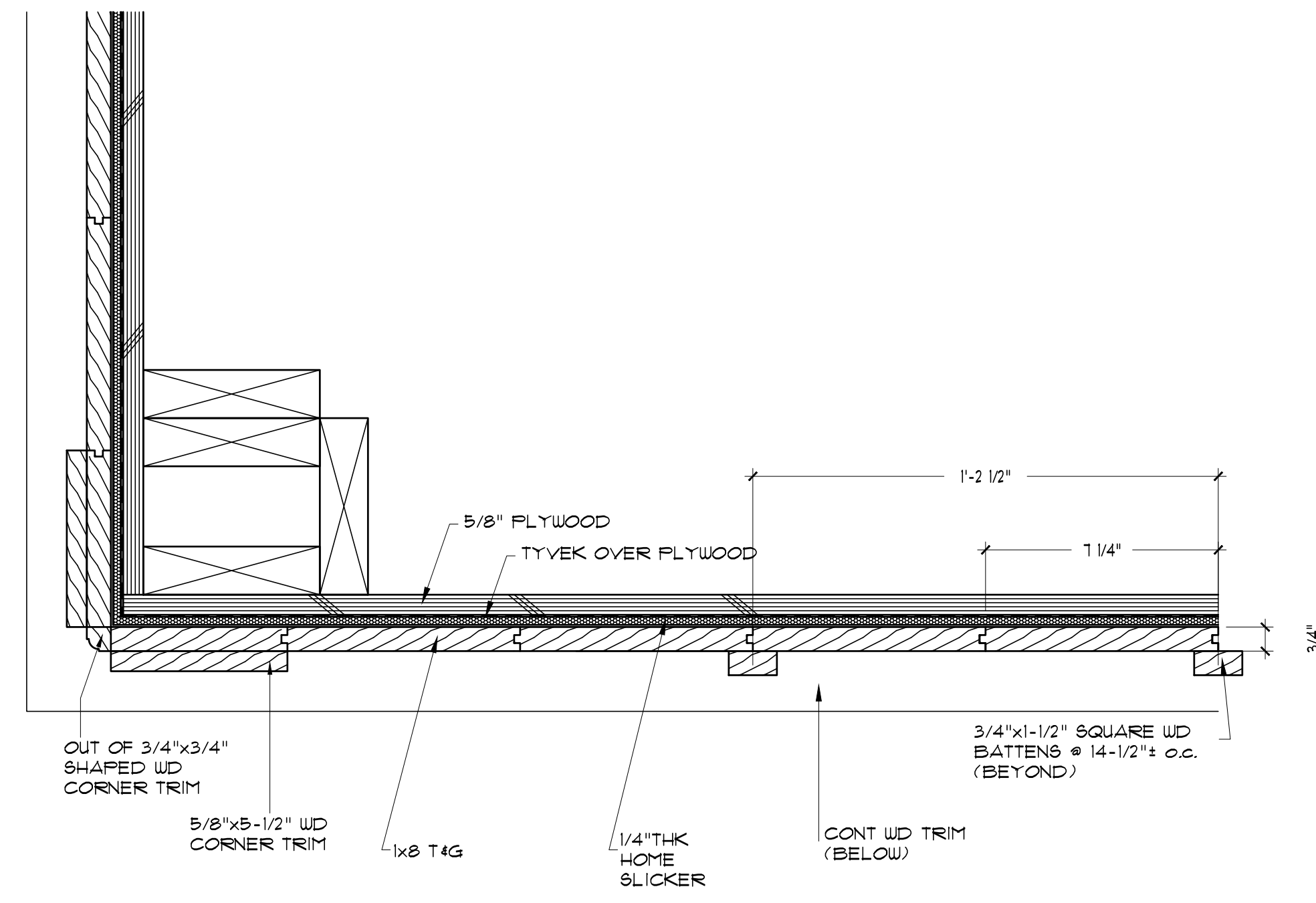


TILE 3D

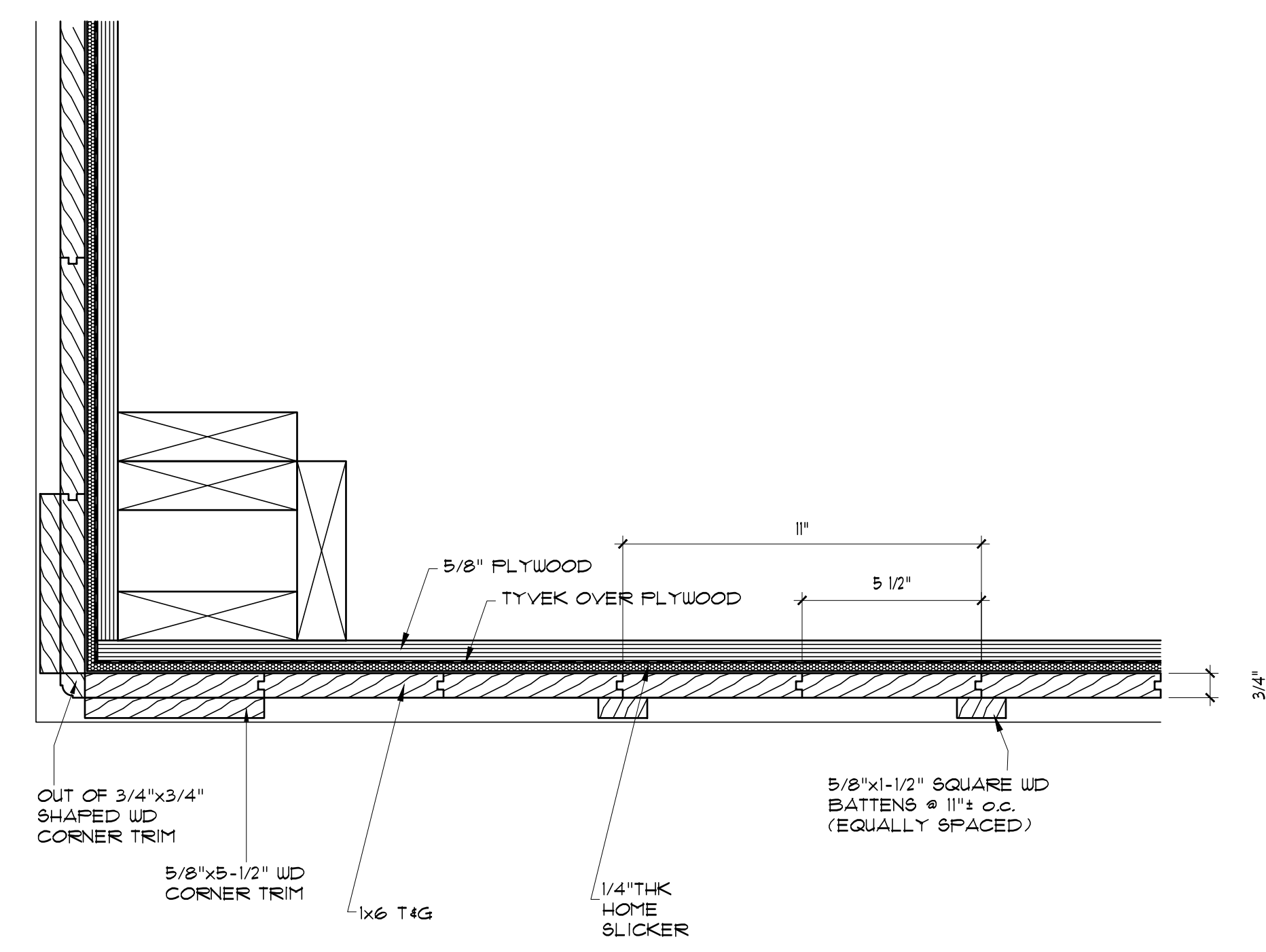
6 SQ COLUMN HARDTILE BASE - 10 3/4" (ENTRY PORCH, COVERED LANAI)
SCALE: 3/4" = 1'-0"



1 BOARD & BATTEN - SIDING
SCALE: 3" = 1'-0"



2 BOARD & BATTEN - UPPER HALF
SCALE: 3" = 1'-0"



3 BOARD & BATTEN - LOWER HALF
SCALE: 3" = 1'-0"

636 Lumbus St.
Honolulu, HI 96819
Tel: 808-842-4929
Web: nanhawaii.com

Nan Inc

Kapalua Mauka Mahana Estates - Model A1

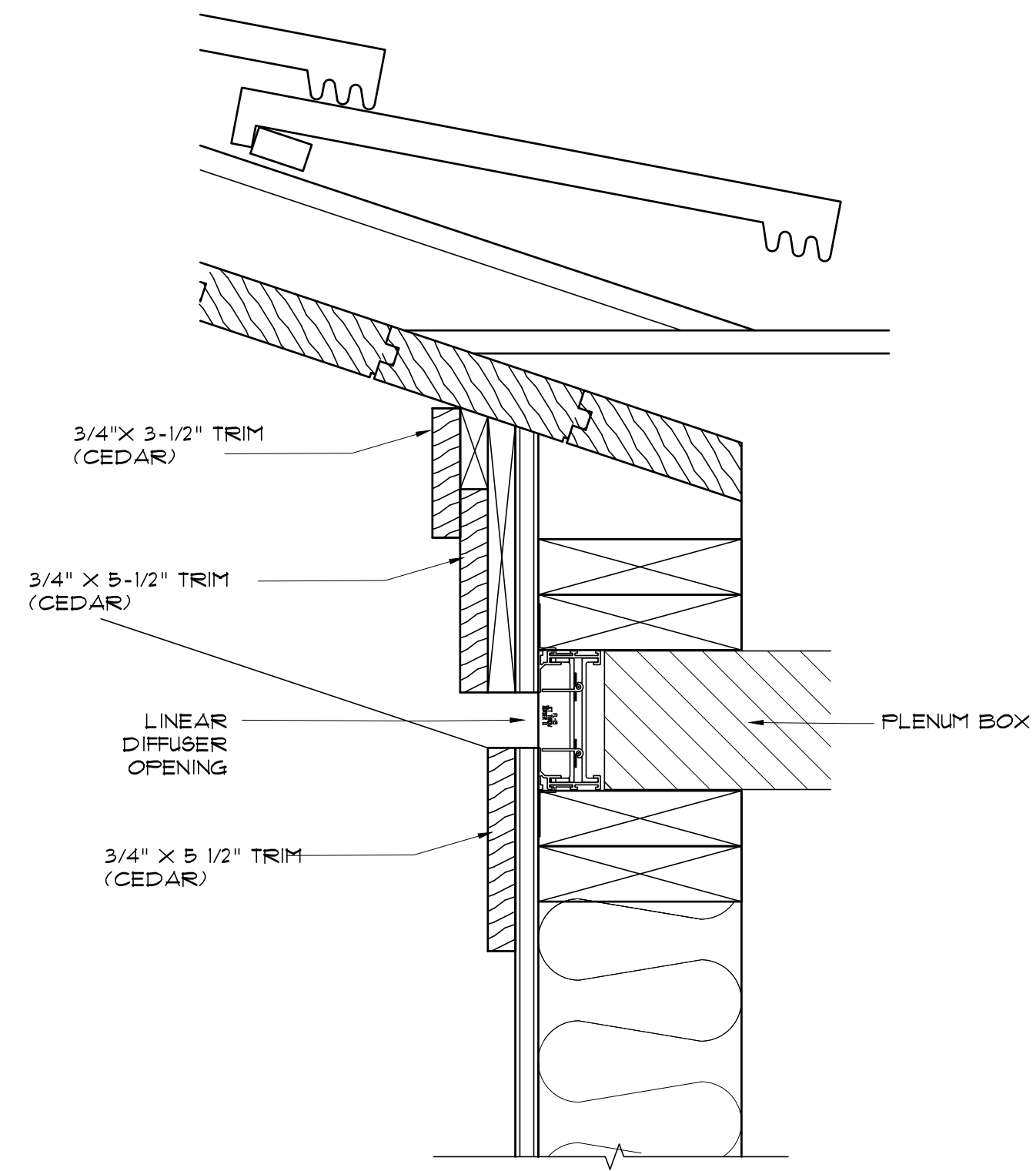
Kapalua, Maui, Hawaii
MISCELLANEOUS DETAILS

REVISIONS:
01/15/2014
02/02/2014
02/02/2014
02/02/2014
02/02/2014

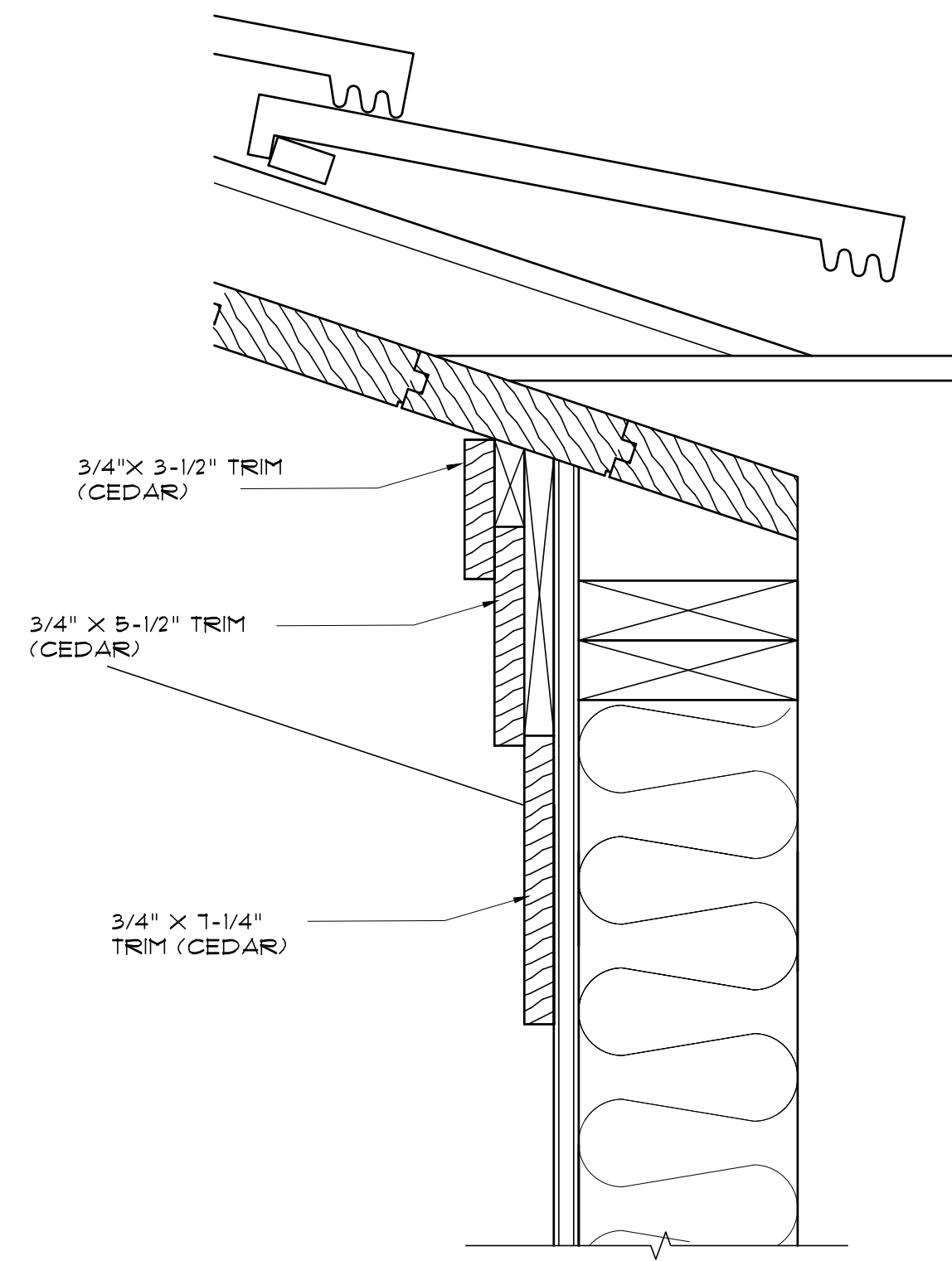
SHEET . OF .

A-9.15

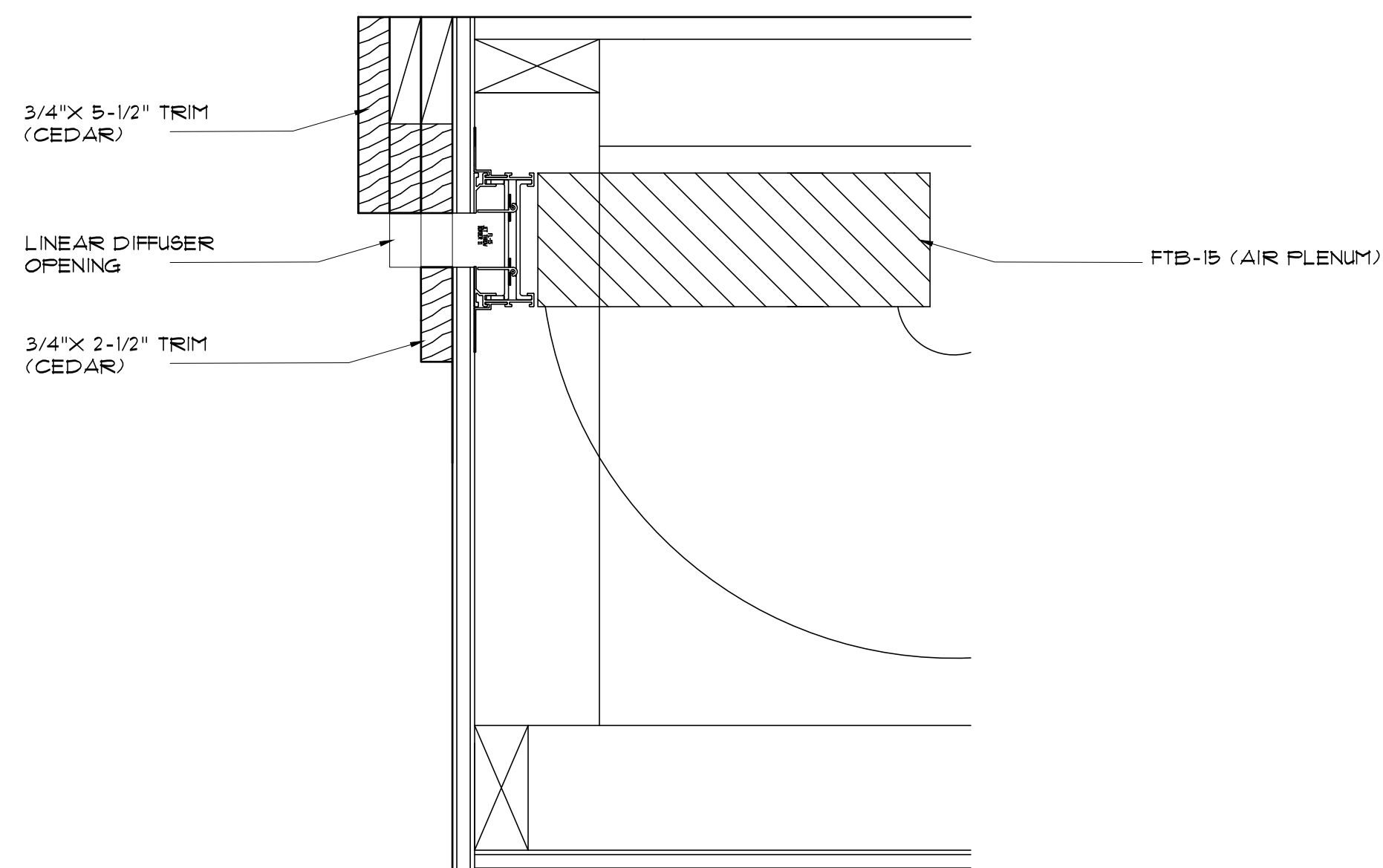
DATE: .



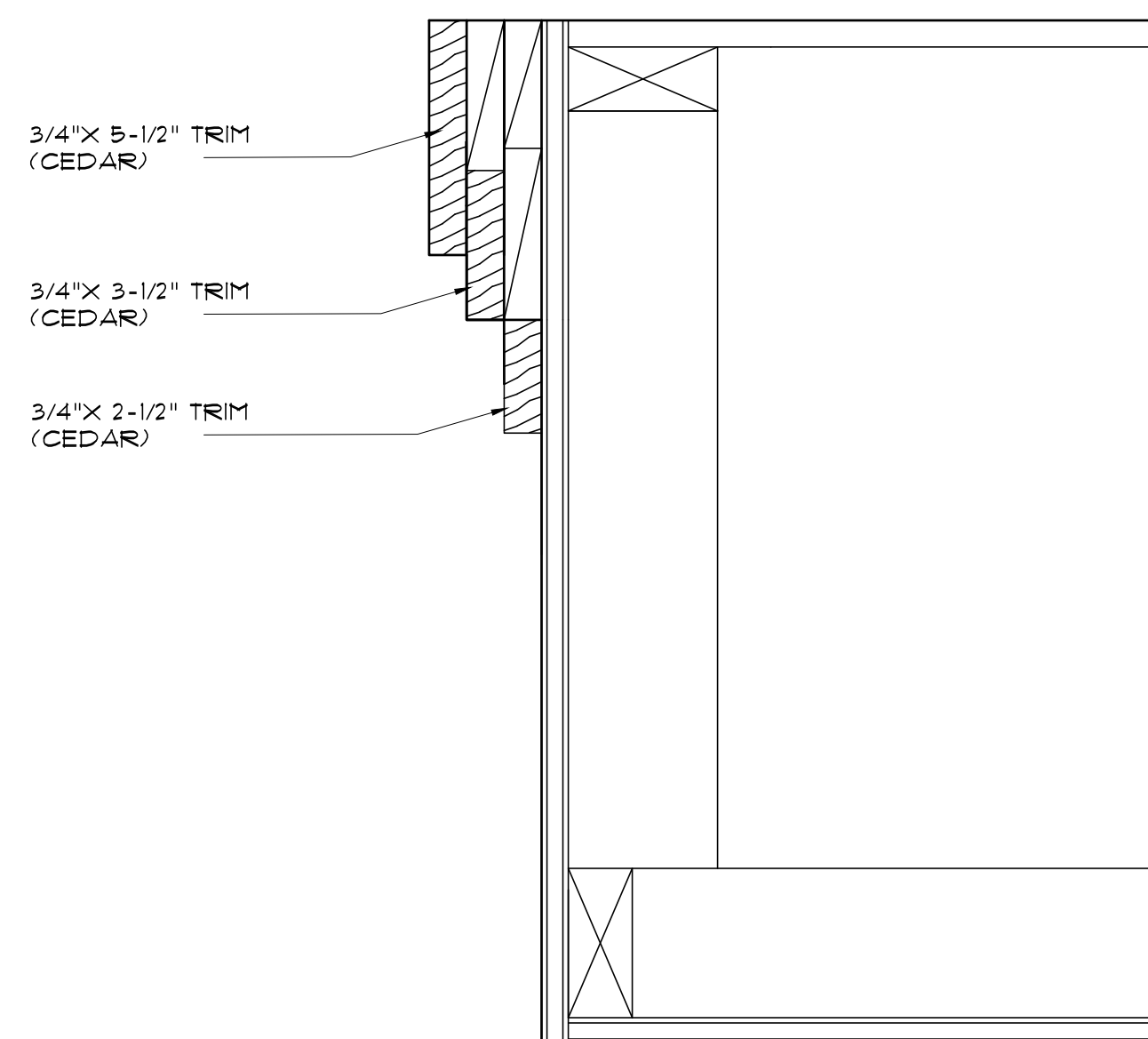
1 GREAT ROOM DRYWALL - DIFFUSER DETAIL
SCALE: 3/8" = 1'-0"



2 GREAT ROOM DRYWALL - TRIM DETAIL
SCALE: 3/8" = 1'-0"



3 KITCHEN DIFFUSER DETAIL
SCALE: 3/8" = 1'-0"



4 KITCHEN TRIM DETAIL
SCALE: 3/8" = 1'-0"